



MIKALOR



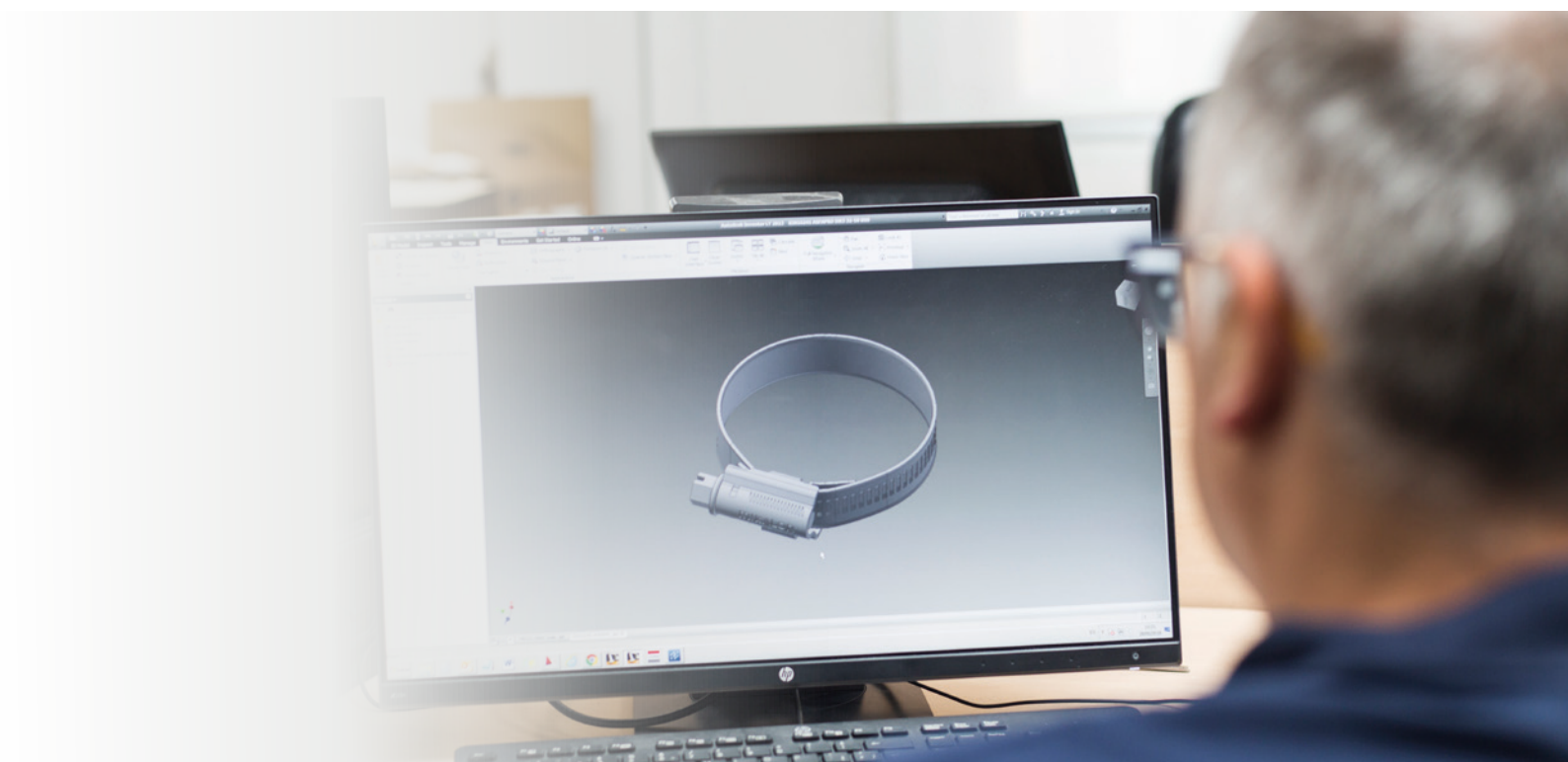
MIKALOR

A Safe Bet

At Mikalor, as a result of our 75 years' experience in designing and manufacturing different models of metal hose clamps and clips, we have always believed that the best way to make sure that we produce the best clamps and clips in the world is to pay attention to every small detail.

We are well aware of the requirements of the many different sectors where our clamps are used. For this reason, our I&D Department works tirelessly to provide the best possible clamping solutions for our customers.

In order to guarantee the very best quality during production, our processes are certified to ISO 9001 and IATF 16949. We also check every part produced using the latest technology in artificial vision cameras.



Wide scope and integrated processes

The Mikalor Group

MIKALOR TOOLS & ENGINEERING

Located in Sant Quirze del Vallès (Barcelona), the engineering department is specialised in the design and production of machine tools and progressive dies for all the companies in the Mikalor Group

Thanks to our production capacity for the manufacture of machine tools, dies and special machinery, we cooperate with other external companies in the automotive and industrial sectors on technical projects according to the specifications and needs of individual customers.

MIKALOR FASTENING SOLUTIONS

This branch of the company, situated in Manresa (Barcelona) is specialized in the manufacture of all our metal fasteners, including DIN 1481 spring pins, washers, cage nuts and so on.

At Mikalor Fastening Solutions we also manufacture special metal fasteners according to the technical specifications of industry or automotive I&D departments.



THE MIKALOR GROUP

The Mikalor Group ensures that each of the member companies specializes in production and services within the Group, creating synergies and a clear competitive advantage compared to our competitors.

The fact that each of the companies has its own catalogue of products is proof of this specialisation. Our aim is to obtain maximum productivity from each member company with the financial support of the Mikalor Group.



MIKALOR HOSE CLAMPS

Located in Sabadell, Mikalor Hose Clamps is specialised in the manufacture of the complete range of standard metal hose clamps, particularly the ASFA range. Special clamps for the automotive sector like the ASFA Constant Tension range are also manufactured here.

With the aim of guaranteeing zero defects in the whole clamp range, our production process is fully automated and is controlled using the latest technology in artificial vision cameras.

DAMESA

Damesa is situated in Castellar del Vallès (Barcelona) and is the branch of the Group specialized in the sale, distribution and worldwide after-sales service of all the products manufactured by the member companies of the Mikalor Group.

Damesa represents the perfect link between our customers and the different factories of the Group. Thanks to our long experience we have solutions to all our customers' needs and requirements.



More than 75 years manufacturing hose clamps





Mikalor was founded in 1943 and quickly enlarged its factory with the construction of a new custom-built unit measuring 4,400 m². From then on Mikalor became established as a manufacturer in the Spanish market and started its expansion into export markets. In the present day the Mikalor Group has a total surface area of 20,000 m² of factory and warehouse space.

Since then we have developed our own manufacturing technology which allows us to produce according to our own designs of hose clamps. This production focus has always been accompanied by production quality checks and quality management systems which guarantee the total satisfaction of our customers. Our emphasis on continuous improvement allows us to satisfy the exacting demands of our customers.





Internationalisation takes us further



From the outset Mikalor demonstrated an international vocation and vision. Thanks to this vision we now export to over 104 countries around the world.

Our international presence is not only due to good logistics and a robust distribution network. We also have an extensive and dedicated sales team who can take care of our customers in more than 15 different languages, advising them on any technical or commercial issues they may have.

Another consequence of our continued international focus is the recent inauguration of our new distribution and sales hub in the USA. We are now much closer in every way to our North American customers.

Our worldwide footprint is a guarantee that we will continue to grow continuously in order to meet the hose clamp needs of our customers.

A vision focussed on continuous improvement



Our quality management policy and our focus on innovation are written into the DNA of the Mikalor Group. Since the company was founded, we have manufactured according to the maximum quality standards such as ISO 9001, IATF 16949 or ISO 14001.

Satisfying customer expectations is the result of the application of continuous improvement based on quality and innovation, both in products and in materials. This also guarantees the maximum functionality of all the products we manufacture.

Proof of this can be found in our quality policy. Aspects such as the participation of the entire workforce in continuous improvement, targets oriented towards processes, improvement in productivity, efficiency in production, the satisfaction of our customers' expectations, respect for the environment and workplace safety.



1965



1970



1974



1985



1987



1998



2001



2008



2011



2016



In constant evolution

Hose Clamps and Clips

Low Pressure

A practical and easy solution. These clamps are ideal for smaller diameter applications, where they are both functional and effective. In this segment of the range there is no call for high torque ratings.







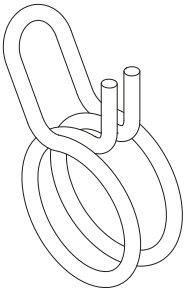
W1

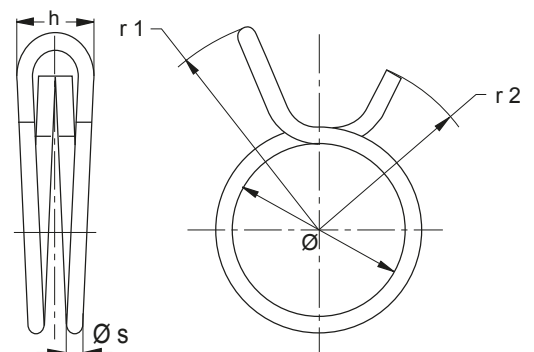
Wire Clip

Wire clips are designed especially for use in low pressure applications with small bore hoses, with or without an outer helix. This is a competitively priced clip for use where high clamping force is not required. The spring steel used to manufacture this clip ensures that it adapts to the application diameter regardless of the pressure at any given moment.

** Special diameters available on request.*

Application Ø			Part n°	r1	r2	h max.	Ø s	Box Quantity (MOQ)	Outer Packing
min.	optimum	max.							
7,3	7,6	7,8	0201601-2	10,7	8,2	5,5	1,0	1.000	8.000
7,8	8,1	8,3	0201602-0	10,7	8,3	5,5	1,0	1.000	8.000
8,3	8,6	8,8	0201603-9	10,9	8,6	5,5	1,0	1.000	8.000
8,8	9,1	9,3	0201604-7	11,0	9,0	5,5	1,0	1.000	8.000
9,3	9,6	9,9	0201605-5	11,8	9,0	5,5	1,0	1.000	8.000
9,8	10,1	10,4	0201606-3	13,5	10,5	6,3	1,2	1.000	8.000
10,4	10,7	11,0	0201607-1	14,8	11,4	6,3	1,2	1.000	8.000
11,0	11,3	11,6	0201608-0	14,8	11,9	6,3	1,2	1.000	8.000
11,6	11,9	12,3	0201609-8	16,4	12,4	7,3	1,5	500	4.000
12,1	12,8	13,1	0201610-0	17,2	13,7	7,3	1,5	500	4.000
12,9	13,3	13,6	0201611-9	17,0	14,0	7,3	1,5	500	4.000
13,6	14,0	14,4	0201612-7	18,0	14,5	7,3	1,5	500	4.000
14,4	14,8	15,1	0201613-5	19,6	16,0	8,4	1,8	500	4.000
14,8	15,5	15,9	0201614-3	21,0	16,4	8,4	1,8	500	4.000
15,9	16,4	16,8	0201615-1	22,0	16,6	8,4	1,8	500	4.000
16,8	17,3	17,7	0201616-0	21,3	16,5	8,4	1,8	500	4.000
17,7	18,2	18,7	0201617-8	22,7	17,7	9,9	2,0	500	2.000
18,7	19,2	19,6	0201618-6	23,3	18,0	9,9	2,0	500	2.000
19,6	20,2	20,5	0201619-4	24,0	18,5	9,9	2,0	500	2.000

	TECHNICAL INFORMATION	
	MATERIAL	SPRING STEEL (DIN 17223-B)
	FINISH	SILVER-WHITE Cr3 ZINC-PLATED
	CORROSION RESISTANCE	72 HOURS SALT SPRAY (ASTM B-117)



Stainless Steel Cable Tie



W4

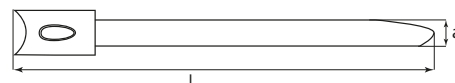
The self-locking mechanism of the cable tie incorporates a stainless-steel ball-bearing making it extremely secure once fastened. Due to its design, the stainless-steel cable tie is tamper-proof once it has been mounted.

Two different bandwidths are available, meaning that you can clamp up to 114kg, and in applications up to 300mm in diameter.

Assembly is carried out using a tool which tightens the tie to its limit and then cuts off the remaining material at the base of the housing, leaving no extra material protruding.

Application Ø							
mm	Part n°	Width a	Maximum diameter	Length L	Strength (Kg.)	Box Quantity (MOQ)	Outer Packing
4,50 x 33	0300200-1	4,45	33	130	46	100	8.000
4,50 x 50	0300200-2	4,45	50	200	46	100	6.000
4,50 x 76	0300200-3	4,45	76	300	46	100	5.000
4,50 x 102	0300200-4	4,45	102	370	46	100	4.000
4,50 x 156	0300200-5	4,45	156	520	46	100	4.500
4,50 x 207	0300200-6	4,45	207	680	46	100	2.000
4,50 x 245	0300200-7	4,45	245	840	46	100	1.000
7,94 x 50	0300200-8	7,96	50	200	114	100	4.500
7,94 x 76	0300200-9	7,96	76	300	114	100	4.000
7,94 x 102	0300201-0	7,96	102	370	114	100	3.000
7,94 x 135	0300201-1	7,96	135	450	114	100	2.000
7,94 x 150	0300201-2	7,96	150	500	114	100	2.000
7,94 x 207	0300201-3	7,96	207	680	114	100	2.000
7,94 x 312	0300201-4	7,96	312	1020	114	100	500

TECHNICAL INFORMATION	
MATERIAL	STAINLESS STEEL AISI- 304
FINISH	STAINLESS STEEL
CORROSION RESISTANCE	400 HOURS SALT SPRAY (ASTM B-117)





W1

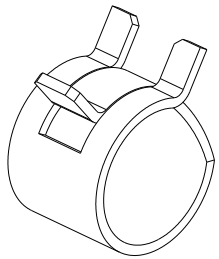
Spring Clip

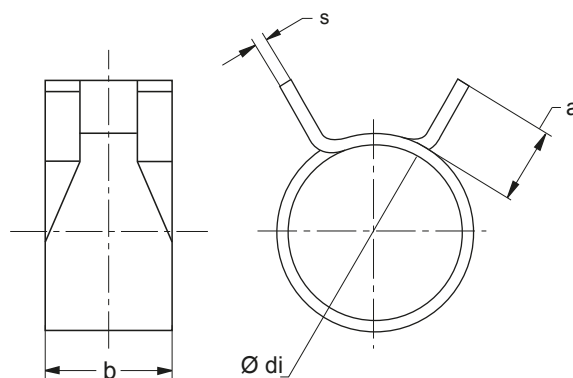
Spring clips are designed to distribute pressure uniformly around the application zone, thanks to the material used in their manufacture

Their use is recommended when the hose is subject to rapid changes in temperature which can cause expansion and contraction of the materials used in the assembly.

These clips are quick and easy to assemble and can even be mounted manually in some cases, without the need for tools.

Nominal Ø	Part n°	Ø di	b	a ±0,05	s	Box Quantity (MOQ)	Outer Packing
6	0201402-5	5,5 ±0,1	7	3,0	0,5	500	8.000
7	0201403-3	6,4 ±0,1	7	3,0	0,5	500	8.000
8	0201404-1	7,4 ±0,15	8	3,0	0,6	500	8.000
9	0201405-0	8,4 ±0,15	8	3,5	0,6	500	4.000
10	0201406-8	9,3 ±0,2	8	3,5	0,7	500	4.000
11	0201407-6	10,3 ±0,2	8	4,0	0,7	500	4.000
12	0201408-4	11,1 ±0,2	8	4,0	0,7	500	4.000
14	0201409-2	12,9 ±0,2	8	4,0	0,8	500	4.000
15	0201410-5	13,5 ±0,2	8	5,2	0,8	500	4.000
17	0201411-3	15,6 ±0,2	8	5,0	0,8	500	4.000
20	0201412-1	18,4 ±0,4	8	5,2	0,8	500	4.000

	TECHNICAL INFORMATION	
	MATERIAL	SPRING STEEL (C67S)
	FINISH	SILVER-WHITE Cr3 ZINC-PLATED
	CORROSION RESISTANCE	72 HOURS SALT SPRAY (ASTM B-117)



DIN 3021 Spring Band Clamp



W1

This spring-band clamp is manufactured according to DIN 3021.

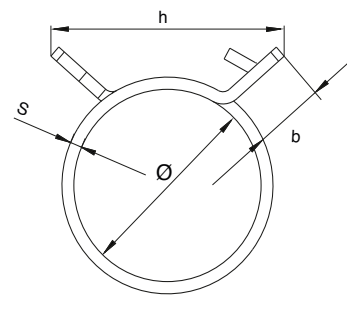
It is especially recommended for applications where temperature can vary from -40°C to +120°C.

The design of this clamp means that thanks to the elasticity of the material used in its manufacture, it maintains the same radial force despite changes in temperature. It is fast and easy to mount and is also reusable.

* Also available in 15 mm bandwidth.

Application Ø			Part n°	Width a±0,3	h	b	c±0,7	S+0,08 S-0,02	Opening force N	Box Quantity (MOQ)	Outer Packing
mm	min.	max.									
17	15,6	18,5	0303150-1	12	40	10	5,8	0,8	160	200	800
19	17,8	20,2	0303151-0	12	40	10	5,8	1,3	200	200	800
20	18,4	21,6	0303152-8	12	40	10	5,8	1,3	200	200	800
21	19,5	22,5	0303153-6	12	40	10	5,8	1,3	200	200	800
22	20,5	24,2	0303153-8	12	40	10	5,8	1,3	200	200	800
23	21,0	24,7	0303154-5	12	40	10	5,8	1,3	230	200	800
24	22,0	26,0	0303155-2	12	40	10	5,8	1,3	230	200	800
25	23,5	26,8	0303156-0	12	40	10	5,8	1,3	260	200	800
26	24,3	28,0	0303157-9	12	60	10	5,8	1,7	270	200	800
27	25,2	29,2	0303158-7	12	60	10	5,8	1,7	280	200	800
29	27,0	31,5	0303159-5	12	60	10	5,8	1,7	300	200	800
32	29,3	34,5	0303161-6	12	60	10	5,8	1,7	300	200	800
35	31,5	38,0	0303162-4	12	60	10	5,8	1,7	300	200	800
36	32,5	39,0	0303163-2	12	60	10	5,8	1,7	300	200	800
38	34,5	41,5	0303164-0	12	60	10	5,8	1,7	300	200	800
40	35,5	42,5	0303166-7	12	60	10	5,8	1,7	300	200	800
41	36,5	43,5	0303166-9	12	60	10	5,8	2,1	320	200	800
42	37,2	44,5	0303167-5	12	60	10	5,8	2,1	340	100	400
44	38,5	46,5	0303169-1	12	60	10	5,8	2,1	350	100	400
46	40,5	48,5	0303170-4	12	60	10	5,8	2,1	380	100	400
47	41,4	50,0	0303171-2	12	60	10	5,8	2,1	410	100	400
49	42,5	52,0	0303171-9	12	72	10	5,8	2,1	410	100	400
50	43,5	53,0	0303172-0	12	72	10	5,8	2,1	410	100	400
51	44,0	54,0	0303173-9	12	72	10	5,8	2,1	410	100	400
53	46,0	55,8	0303174-7	12	72	10	5,8	2,1	410	100	400
55	46,8	58,0	0303175-5	12	72	10	5,8	2,1	430	100	400

TECHNICAL INFORMATION	
MATERIAL	STEEL 51 CrV4
FINISH	MULTILAYER, CHROME(VI)-FREE BASE COAT: ZINC TOP COAT: ORGANIC BLACK COLOR
CORROSION RESISTANCE	144 HOURS SALT SPRAY (ASTM B-117)



OEM Ear Clip



W1

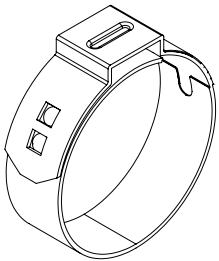
This clamp was designed for use in low and medium-pressure applications on assembly lines, due to its fast and easy locking system.

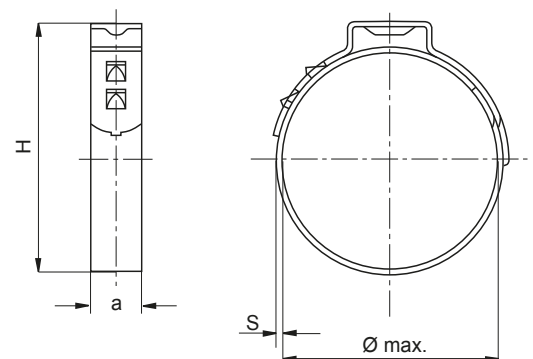
The design of the locking mechanism means that this clamp can be used in areas which are difficult to access. In this case manual pliers can be used to mount the clip.

Another very important characteristic of this clamp is that once it has been mounted it is tamper-proof.

** This clamp is also available in AISI 304 and AISI 316 material upon request.*

Application Ø							
D ±0,3 mm	Closed Ø D min.	Part nº	H max. mm	S ±0,3 mm	a ±0,15	Box Quantity (MOQ)	Outer Packing
10,0	8,3	0303075-2	14,0	0,6	7	1.000	4.000
13,3	10,8	0303076-0	17,0	0,6	7	1.000	4.000
15,7	13,2	0303077-9	20,1	0,6	7	1.000	4.000
17,5	14,3	0303078-7	22,5	0,8	7	1.000	4.000
17,8	14,6	0303079-5	22,5	0,8	7	1.000	4.000
18,5	15,3	0303080-8	23,5	0,8	7	1.000	4.000
20,5	17,3	0303081-6	26,0	0,8	7	500	2.000
29,5	26,3	0303082-4	35,5	0,8	7	500	2.000
31,6	28,4	0303083-2	37,5	0,8	7	500	2.000
39,6	36,4	0303084-0	45,5	0,8	7	500	1.000
40,5	37,3	0303085-9	46,5	0,8	7	500	1.000
45,5	42,3	0303086-7	51,5	0,8	7	200	800
47,0	43,8	0303087-5	53,0	0,8	7	200	800
51,5	48,3	0303088-3	57,5	0,8	7	100	400
52,5	49,3	0303089-1	58,5	0,8	7	100	400
65,5	62,3	0303090-4	71,5	0,8	7	100	400

	TECHNICAL INFORMATION	
	MATERIAL	STEEL DX51D+ AZ 150 (UNI EN 10215)
	FINISH	GREY-WHITE (ALUZINK)
	CORROSION RESISTANCE	144 HOURS SALT SPRAY (ASTM B-117)



Clip Clamp



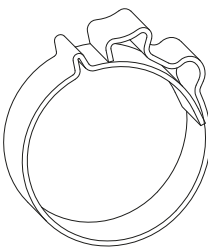
W4

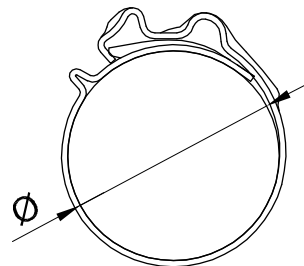
The Clip Clamp is manufactured entirely from one strip of stainless steel.

The design of the locking mechanism of the Clip Clamp allows for great precision and safety in assembly. This mechanism, together with the folds in the material confers a spring function to this clamp, meaning that it can maintain constant pressure around the hose despite possible changes in temperature or pressure.

The perfectly rounded band edges avoid damage to the hose during application. The corrosion resistance is excellent due to the AISI 304 material employed in its manufacture.

Article	Part nº	Application Ø		Width d	Colour	Box Quantity (MOQ)	Outer Packing
		min.	max.				
CLIP 8	0303041-0	8,5	9,5	7	YELLOW	500	8.000
CLIP 9	0303042-9	9,5	10,5	7	PURPLE	500	8.000
CLIP 10	0303043-7	10,5	11,5	7	NEUTRAL	500	4.000
CLIP 11	0303044-5	11,5	12,5	7	GREEN	500	4.000
CLIP 12	0303045-3	12,5	14,0	8	BLACK	500	4.000
CLIP 13	0303046-1	13,5	15,0	8	YELLOW	500	2.000
CLIP 14	0303047-0	14,5	16,0	8	PURPLE	250	2.000
CLIP 15	0303048-8	15,5	17,0	8	NEUTRAL	250	2.000
CLIP 16	0303049-6	16,5	18,0	8	GREEN	250	2.000
CLIP 17	0303050-9	17,5	19,0	8	BLACK	250	2.000
CLIP 18	0303051-7	18,5	20,0	8	YELLOW	250	2.000
CLIP 19	0303052-5	19,5	21,0	8	PURPLE	250	2.000
CLIP 20	0303053-3	20,5	22,0	8	NEUTRAL	250	2.000
CLIP 21	0303054-1	21,5	23,0	8	GREEN	250	2.000
CLIP 22	0303055-0	22,5	24,0	8	BLACK	250	2.000
CLIP 23	0303056-8	23,5	25,0	8	YELLOW	250	2.000
CLIP 24	0303057-6	24,5	26,0	8	PURPLE	250	2.000

TECHNICAL INFORMATION	
	MATERIAL STAINLESS STEEL (X5CrNi18/10) AISI- 304
FINISH	STAINLESS STEEL
CORROSION RESISTANCE	400 HOURS SALT SPRAY (ASTM B- 117)





W1

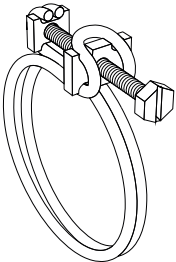
Wire Clip with Screw

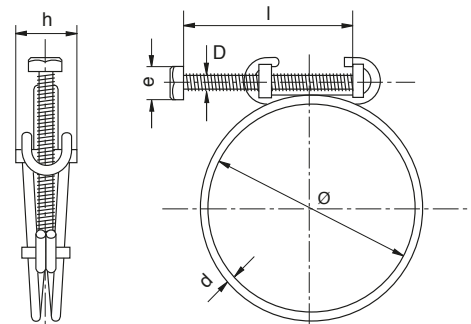
This clip was specially designed for use with hoses incorporating an outer helix. It is generally used when installing ventilation ducting or in white goods applications.

The double-wire construction of this clip means that it sits comfortably on either side of the helix and can then be clamped down firmly thanks to the screw-tightening system.

** Diameters up 100mm can be manufactured on request.*

Application Ø									
mm	Part n°	Ø Ideal application	d	e	l	h max.	D	Box Quantity (MOQ)	Outer Packing
9,5-12	0303001-5	11,0	1,5	5,5	20	11	M3	500	2.000
10,5-13	0303002-3	11,5	1,5	5,5	20	11	M3	500	2.000
11,5-14	0303003-1	12,5	1,5	5,5	20	11	M3	500	2.000
12,5-15	0303004-0	13,0	1,5	5,5	20	11	M3	500	2.000
13,0-16	0303005-8	14,0	1,8	5,5	25	11	M3	500	2.000
13,5-17	0303006-6	15,0	1,8	5,5	25	11	M3	500	2.000
15,0-18	0303007-4	16,0	1,8	5,5	25	11	M3	500	2.000
15,5-19	0303008-2	17,0	1,8	5,5	25	11	M3	500	2.000
17,0-20	0303009-0	18,0	1,8	5,5	25	11	M3	500	2.000
17,5-21	0303010-3	18,5	1,8	5,5	25	11	M3	500	1.500
18,5-22	0303011-1	20,0	2,0	7,0	30	13	M4	500	1.500
19,0-23	0303012-0	20,5	2,0	7,0	30	13	M4	500	1.500
21,0-24	0303013-8	22,0	2,0	7,0	30	13	M4	500	1.500
21,5-25	0303014-6	23,5	2,2	7,0	30	13	M4	500	1.500
23,5-27	0303015-4	25,0	2,2	7,0	30	13	M4	500	1.500
25,0-29	0303016-2	27,0	2,2	7,0	30	13	M4	200	800
27,0-31	0303017-0	29,0	2,2	7,0	30	13	M4	200	800
29,0-33	0303018-9	31,5	2,2	7	30	13	M4	200	800
30,5-35	0303019-7	33,0	2,2	7	30	13	M4	200	800
33,0-37	0303020-0	37,0	2,2	7	30	13	M4	200	800
35,5-40	0303021-8	38,5	2,2	7	30	13	M4	200	800
38,5-43	0303022-6	41,0	2,5	8	40	15	M5	200	800
41,0-46	0303023-4	43,5	2,5	8	40	15	M5	200	800
43,5-49	0303024-2	46,5	2,5	8	40	15	M5	200	800
46,5-53	0303025-0	50,5	2,5	8	40	15	M5	200	400
50,5-56	0303026-9	53,5	2,5	8	40	15	M5	100	400
53,5-60	0303027-7	56,5	2,8	10	50	18	M5	100	400
56,5-64	0303028-5	60,0	2,8	10	50	18	M5	100	400
60,0-68	0303029-3	64,0	2,8	10	50	18	M5	100	400

	TECHNICAL INFORMATION	
	MATERIAL	STEEL WIRE (B-UNI 3823) 6.6 GRADE STEEL
	FINISH	SILVER-WHITE Cr3 ZINC-PLATED
CORROSION RESISTANCE	72 HOURS SALT SPRAY (ASTM B-117)	



“Normal” Mini Clip



W1

The use of malleable mild steel in the manufacture of the “Normal” mini clip means that when tightened, the clip adapts perfectly to the hose, clamping firmly but gently.

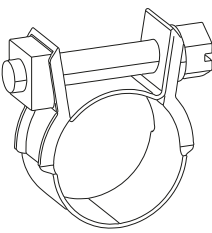
This clip is recommended for use with gaseous fluids at low pressure and on small-bore or thin-walled hoses.

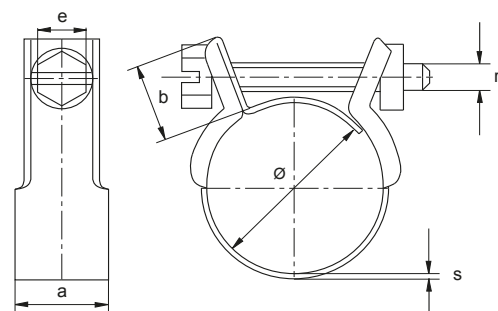
“Normal” also has many applications in the automotive industry.

** The maximum pressure may vary depending on the type of hose and coupling used.*

Application Ø											
mm	Part nº	r	e	a	b	s	Maximum values		Box Quantity (MOQ)	Outer Packing	
							Torque (Nm)	Pressure (Bars)			
6	0301051-0	M3	5	8,4	9	0,5	0,4	15	100	1.600	
8	0301052-8	M3	5	9	9	0,5	0,4	14	100	1.600	
9	0301053-6	M4	6	10	10	0,5	1	15	100	1.600	
9,5-10	0301054-4	M4	6	10	10	0,5	1	14	100	1.600	
10-11	0301055-2	M4	6	10	10	0,5	1	13	100	1.600	
12-13	0301056-0	M4	6	10	10	0,5	1	12	100	1.600	
13-14	0301057-9	M4	6	10	10	0,5	1	12	100	1.600	
14-15	0301058-7	M4	6	10	10	0,5	1	12	100	1.600	
15-17	0301059-5	M4	6	10	10	0,5	1	12	100	1.600	
16-18	0301060-8	M4	6	10	10	0,5	1	11	100	1.600	
18-20	0301061-6	M4	6	10	10	0,5	1	10	100	1.600	
19-21	0301062-4	M4	6	10	10	0,5	1	10	100	800	
20-22	0301063-2	M4	6	10	10	0,5	1	10	100	800	
22-25	0301064-0	M4	6	10	10	0,5	1	9	100	800	
23-26	0301065-9	M4	6	10	10	0,5	1	9	100	800	
25-28	0301066-7	M4	6	10	10	0,5	1	8	100	800	
26-29	0301067-5	M4	6	10	10	0,5	1	8	100	800	
29-32	0301068-3	M4	6	10	10	0,5	1	8	100	800	

* It is recommended to apply 75% of the maximum values contained in the table.

TECHNICAL INFORMATION	
	MATERIAL BAND: STEEL ST3 K32 (EN10215) SCREW: STEEL GRADE 6 NUT: STEEL GRADE 6
	FINISH GREY-WHITE Cr3 ZINC-PLATED
	CORROSION RESISTANCE 72 HOURS SALT SPRAY (ASTM B-117)



Two Ear Clips



We stamp all Mikalor ear clips with the clamping range and our logo.

The edges are bevelled to make sure that there is no damage to the hose.

The materials used to manufacture Mikalor ear clips are free from dangerous substances and comply with current environmental legislation.



We manufacture a wide range of different diameters and models of ear clips. This means that they can be used in a multitude of different applications.

Fast and easy to assemble.



One Ear Clip

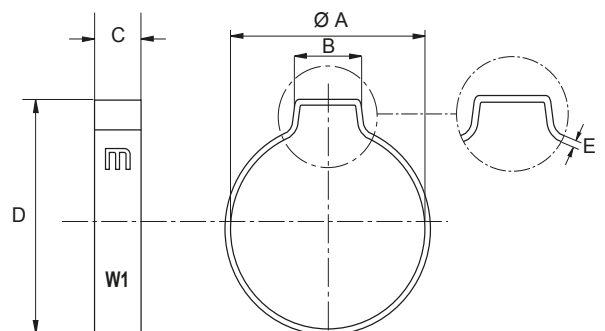


W1

The use of one ear clips is an economical solution for many simple hose assemblies carrying air or fluids. They are ideal for use with simple hose assemblies which do not require high clamping force. The practical design of ear clips means that they are easy, fast and safe to mount. They are also tamper-proof once mounted. The edges are rounded to avoid damage to the hose.

Application Ø		Part nº	A	B	C	D	E	Colour	Box Quantity (MOQ)	Outer Packing
min.	max.									
7	9	0301208-0	9,3	5,5	6,0	13,0	0,8	SILVER-WHITE ZP	1.000	8.000
8	10	0301207-2	10,3	6,0	6,0	14,0	0,8	SILVER-WHITE ZP	1.000	8.000
9	11	0301201-3	11,3	6,5	6,5	15,0	0,8	SILVER-WHITE ZP	1.000	8.000
10	12	0301202-1	12,3	7,0	6,5	16,0	0,8	SILVER-WHITE ZP	500	8.000
11	13	0301203-0	13,3	7,5	6,5	17,0	0,9	SILVER-WHITE ZP	500	8.000
12	14	0301204-8	14,3	8,0	7,0	18,5	1,0	SILVER-WHITE ZP	500	4.000
14	16	0301205-6	16,3	8,5	7,0	20,5	1,1	SILVER-WHITE ZP	500	4.000
16	18	0301206-4	18,5	9,0	7,0	23,0	1,1	SILVER-WHITE ZP	500	4.000

	TECHNICAL INFORMATION	
	MATERIAL	STEEL ST4 S/DIN 1624
	FINISH	SILVER-WHITE Cr3 ZINC-PLATED
	CORROSION RESISTANCE	72 HOURS SALT SPRAY (ASTMB-117)



Stainless Steel One Ear Clip



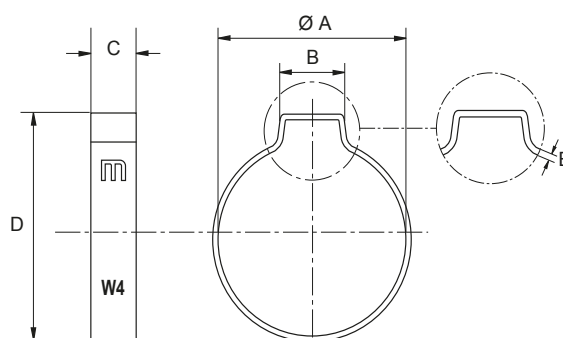
W4

The stainless steel one ear clip is a compact solution with no welds. It is manufactured entirely in AISI-304 stainless steel. It is especially recommended for hose assemblies carrying air or fluids. The edges are rounded to avoid damage to the hose.

These clips are easy, fast and safe to mount. The practical design of ear clips means that you can see at a glance if the clip has been correctly mounted, as it should adapt to the form of the hose or tube and the two sides of the ear should touch.

Application Ø		Part nº	A	B	C	D	E	Colour	Box Quantity (MOQ)	Outer Packing
min.	max.									
7	9	2301244-0	9,3	5,5	6,0	13,0	0,8	Stainless Steel	1.000	16.000
8	10	2301208-7	10,3	6,0	6,0	14,0	0,8	Stainless Steel	1.000	16.000
9	11	2301201-0	11,3	6,5	6,5	15,0	0,8	Stainless Steel	1.000	8.000
10	12	2301202-8	12,3	7,0	6,5	16,0	0,8	Stainless Steel	500	8.000
11	13	2301203-6	13,3	7,5	6,5	17,0	0,8	Stainless Steel	500	8.000
12	14	2301204-4	14,3	8,0	7,0	18,5	1,0	Stainless Steel	500	8.000
13	15	2301207-9	15,3	8,0	7,0	19,5	1,0	Stainless Steel	500	4.000
14	16	2301205-2	16,3	8,5	7,0	20,5	1,0	Stainless Steel	500	4.000
15	17	2301245-8	17,5	9,0	7,0	22,0	1,0	Stainless Steel	500	4.000
16	18	2301206-0	18,5	9,0	7,0	23,0	1,0	Stainless Steel	500	4.000
17	19	2301242-3	19,5	9,5	7,5	24,0	1,0	Stainless Steel	250	2.000
18	20	2301243-1	20,5	10,0	7,5	25,0	1,0	Stainless Steel	250	2.000

	TECHNICAL INFORMATION	
	MATERIAL	STAINLESS STEEL AISI- 304
	FINISH	STAINLESS STEEL
	CORROSION RESISTANCE	400 HOURS SALT SPRAY (ASTM B-117)



Two Ear Clip

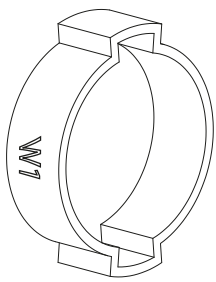


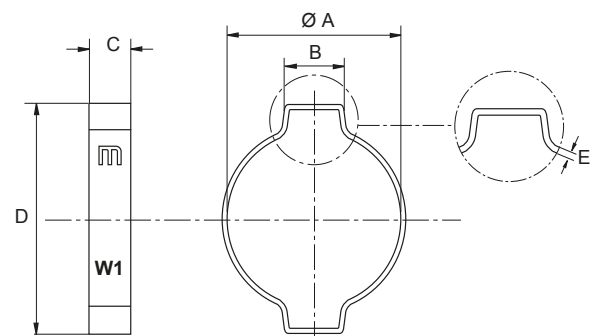
W1

The use of two ear clips is an economical solution for leaktight simple hose assemblies on hoses transporting air, gas or other fluids.

The two ears give the clip extra grip and help to maintain constant pressure around the hose. The edges are rounded to avoid damage to the hose and the assembly of this clamp is fast, safe and easy. The clamping range is greater than the one ear clip, meaning that the two-ear clip can be used on larger bore hoses. The practical design of two ear clips means that they clamp firmly onto the assembly and are tamperproof once mounted.

Application Ø		Part n°	A	B	C	D	E	Colour	Box Quantity (MOQ)	Outer Packing
min.	max.									
5	7	0301210-1	7,3	4,3	6,0	11,0	0,6	SILVER-WHITE ZP	2.000	16.000
7	9	0301211-0	9,3	4,8	6,0	13,5	0,8	SILVER-WHITE ZP	1.000	16000
9	11	0301212-8	11,3	5,3	6,5	17,0	0,8	SILVER-WHITE ZP	1.000	8.000
10	12	0301209-9	12,3	5,5	6,5	18,0	0,9	SILVER-WHITE ZP	500	8.000
11	13	0301213-6	13,3	5,8	6,5	19,0	1,0	SILVER-WHITE ZP	500	8.000
13	15	0301214-4	15,3	6,3	7,0	21,5	1,1	SILVER-WHITE ZP	500	4.000
14	17	0301215-2	17,5	6,6	7,0	24,0	1,1	SILVER-WHITE ZP	500	4.000
15	18	0301216-0	18,5	7,0	7,5	25,0	1,1	SILVER-WHITE ZP	500	2.000
17	20	0301217-9	20,5	7,6	7,5	27,0	1,1	SILVER-WHITE ZP	250	2.000
18	21	0301218-7	21,5	7,9	8,0	28,0	1,1	SILVER-WHITE ZP	250	2.000
20	23	0301219-5	23,5	8,5	8,0	31,0	1,1	SILVER-WHITE ZP	250	2.000
22	25	0301220-8	25,5	9,1	8,5	33,0	1,3	SILVER-WHITE ZP	200	1.600
23	27	0301221-6	27,5	9,4	8,5	35,0	1,3	SILVER-WHITE ZP	200	1.600
25	28	0301222-4	28,5	10,0	9,0	36,0	1,3	SILVER-WHITE ZP	200	800
28	31	0301223-2	31,5	10,6	9,0	39,0	1,3	SILVER-WHITE ZP	100	800
31	34	0301224-0	34,5	11,0	9,5	42,0	1,3	SILVER-WHITE ZP	100	800
34	37	0301225-9	37,5	11,5	9,5	46,0	1,5	SILVER-WHITE ZP	100	800
37	40	0301226-7	40,5	12,0	10,0	49,0	1,5	SILVER-WHITE ZP	100	400
40	43	0301227-5	43,5	12,5	10,0	53,0	1,5	SILVER-WHITE ZP	75	600
43	46	0301228-3	46,5	13,0	10,5	56	1,5	SILVER-WHITE ZP	75	300

	TECHNICAL INFORMATION	
	MATERIAL	STEEL ST4 S DIN 1624
	FINISH	SILVER-WHITE Cr3 ZINC-PLATED
	CORROSION RESISTANCE	72 HOURS SALT SPRAY (ASTM B-117)



Stainless Steel Two Ear Clip



W4

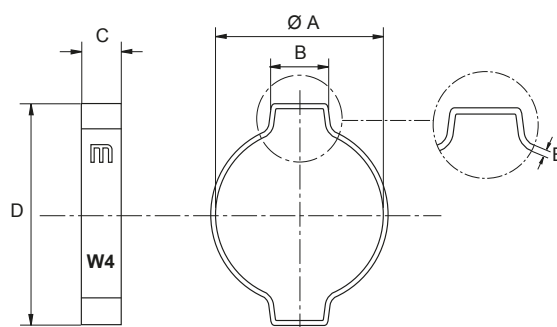
The stainless steel two ear clip is a compact solution with no welds manufactured entirely in AISI-304 stainless steel, guaranteeing robust and safe assembly. The two ears give the clip extra grip and help to maintain constant pressure around the hose.

The edges are rounded to avoid damage to the hose. The fact that these clips are manufactured entirely in AISI 304 stainless steel makes them especially recommended for outdoor and marine applications.

The practical design of ear clips means that you can see at a glance if the clip has been correctly mounted, as the clamp should adapt to the form of the hose or tube and the two sides of the ear should touch.

Application Ø		Part nº	A	B	C	D	E	Colour	Box Quantity (MOQ)	Outer Packing
min.	max.									
5	7	2301210-8	7,3	4,3	6,0	11,5	0,6	Stainless Steel	2.000	16.000
7	9	2301211-6	9,3	4,8	6,0	14,5	0,8	Stainless Steel	1.000	16.000
9	11	2301212-4	11,3	5,3	6,5	16,5	0,8	Stainless Steel	1.000	8.000
11	13	2301213-2	13,3	5,8	6,5	19,0	0,8	Stainless Steel	500	8.000
13	15	2301214-0	15,3	6,3	7,0	21,5	1,0	Stainless Steel	500	4.000
14	17	2301215-9	17,5	6,6	7,0	24,0	1,0	Stainless Steel	500	4.000
15	18	2301216-7	18,5	7,0	7,5	25,0	1,0	Stainless Steel	500	4.000
17	20	2301217-5	20,5	7,6	7,5	27,0	1,0	Stainless Steel	250	2.000
18	21	2301218-3	21,5	7,9	8,0	28,5	1,0	Stainless Steel	250	2.000
20	23	2301219-1	23,5	8,5	8,0	30,5	1,0	Stainless Steel	250	2.000
22	25	2301220-4	25,5	9,1	8,5	33,5	1,2	Stainless Steel	200	1.600

	TECHNICAL INFORMATION	
	MATERIAL	STAINLESS STEEL AISI- 304
	FINISH	STAINLESS STEEL
	CORROSION RESISTANCE	400 HOURS SALT SPRAY (ASTM B-117)



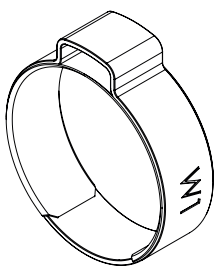
One Ear Clip with stainless steel inner-ring

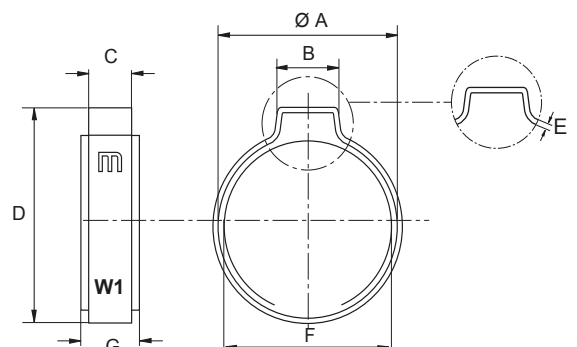


W1

The fact that these clamps are used on very small-bore hoses means that the material of the tube or hose can sometimes be very flexible, making it more difficult to ensure a leaktight assembly due to the possible deformation of the hose. In these cases, the inner-ring is key in helping to guarantee leaktightness as well as protecting the hose from being pinched during assembly. This clamp is ideal for use in non-corrosive environments.

Application Ø		Part n°	A	B	C	D	E	F	G	Colour	Box Quantity (MOQ)	Outer Packing
min.	max.											
7,5	8,5	0301100-9	9,3	5,5	6,0	13,0	0,8	8,5	7,8	SILVER-WHITE ZP	1.000	8.000
8,0	9,5	0301101-0	10,3	6,0	6,0	14,0	0,8	9,5	7,8	SILVER-WHITE ZP	1.000	8.000
9,0	10,5	0301102-9	11,3	6,5	6,5	15,0	0,8	10,5	7,8	SILVER-WHITE ZP	1.000	8.000
10,0	11,5	0301103-7	12,3	7,0	6,5	16,0	0,8	11,5	7,8	SILVER-WHITE ZP	500	8.000
10,5	12,5	0301104-5	13,3	7,5	6,5	17,0	0,9	12,5	7,8	SILVER-WHITE ZP	500	8.000
11,5	13,3	0301105-3	14,3	8,0	7,0	18,5	1,0	13,3	8,8	SILVER-WHITE ZP	500	4.000
13,0	15,3	0301106-1	16,3	8,5	7,0	20,5	1,1	15,3	8,8	SILVER-WHITE ZP	500	4.000
15,0	17,3	0301107-0	18,5	9,5	7,0	23,0	1,1	17,3	8,8	SILVER-WHITE ZP	500	2.000
16,0	18,3	0301108-2	19,5	9,5	7,5	24,0	1,0	18,3	9,8	SILVER-WHITE ZP	250	2.000
17,0	19,3	0301109-3	20,5	10,0	7,5	25,0	1,0	19,3	9,8	SILVER-WHITE ZP	250	2.000

TECHNICAL INFORMATION	
	<p>MATERIAL</p> <p>CLIP: ST4 (DIN 1624) INNER-RING: STAINLESS STEEL (AISI-301)</p>
	<p>FINISH</p> <p>CLIP: SILVER-WHITE Cr3 ZINC-PLATED INNER-RING: STAINLESS STEEL</p>
	<p>CORROSION RESISTANCE</p> <p>72 HOURS SALT SPRAY (ASTM B-117)</p>



Stainless Steel One Ear Clip with stainless steel inner-ring

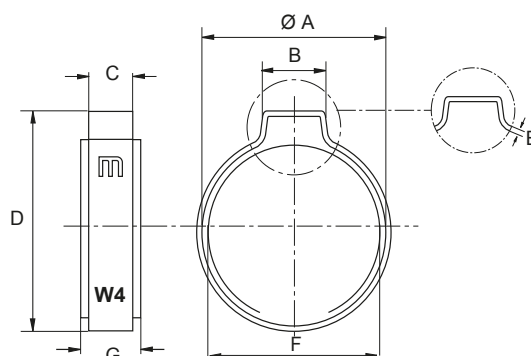


W4

The fact that this clamp is manufactured in full AISI-304 stainless steel makes it ideal for use in marine or foodstuff applications as the corrosion resistance is outstanding. The inner-ring means that the clamp fits snugly around the hose, while the bevelled edges protect the hose from being pinched during fitting and ensure a durable leaktight assembly.

Application Ø		Part n°	A	B	C	D	E	F	G	Colour	Box Quantity (MOQ)	Outer Packing
min.	max.											
7,5	8,5	2301230-0	9,3	5,5	6,0	13,0	0,8	8,5	7,8	Stainless Steel	2.000	16.000
8,2	9,5	2301231-9	10,3	6,0	6,0	14,0	0,8	9,5	7,8	Stainless Steel	1.000	8.000
9,0	10,5	2301232-7	11,3	6,5	6,5	15,0	0,8	10,5	7,8	Stainless Steel	1.000	8.000
10,0	11,5	2301233-5	12,3	7,0	6,5	16,0	0,8	11,5	7,8	Stainless Steel	500	8.000
10,5	12,5	2301234-3	13,3	7,5	6,5	17,0	0,8	12,5	7,8	Stainless Steel	500	8.000
11,5	13,5	2301235-1	14,3	8,0	7,0	18,5	1,0	13,5	7,8	Stainless Steel	500	4.000
12,5	14,5	2301236-0	15,3	8,0	7,0	19,5	1,0	14,5	8,8	Stainless Steel	500	4.000
13,0	15,3	2301237-8	16,3	8,5	7,0	20,5	1,0	15,3	8,8	Stainless Steel	500	4.000
14,0	16,3	2301238-6	17,5	9,0	7,0	22,0	1,0	16,3	8,8	Stainless Steel	250	4.000
15,0	17,3	2301239-4	18,5	9,5	7,0	23,0	1,0	17,3	8,8	Stainless Steel	250	4.000
16,0	18,3	2301240-7	19,5	9,5	7,5	24,0	1,0	18,3	9,8	Stainless Steel	250	2.000
17,0	19,3	2301241-5	20,5	10,0	7,5	25,0	1,0	19,3	9,8	Stainless Steel	250	2.000

	TECHNICAL INFORMATION	
	MATERIAL	CLIP: STAINLESS STEEL (AISI-304) INNER-RING: STAINLESS STEEL (AISI-301)
	FINISH	STAINLESS STEEL
	CORROSION RESISTANCE	400 HOURS SALT SPRAY (ASTM B-117)



Hose Clamps and Clips

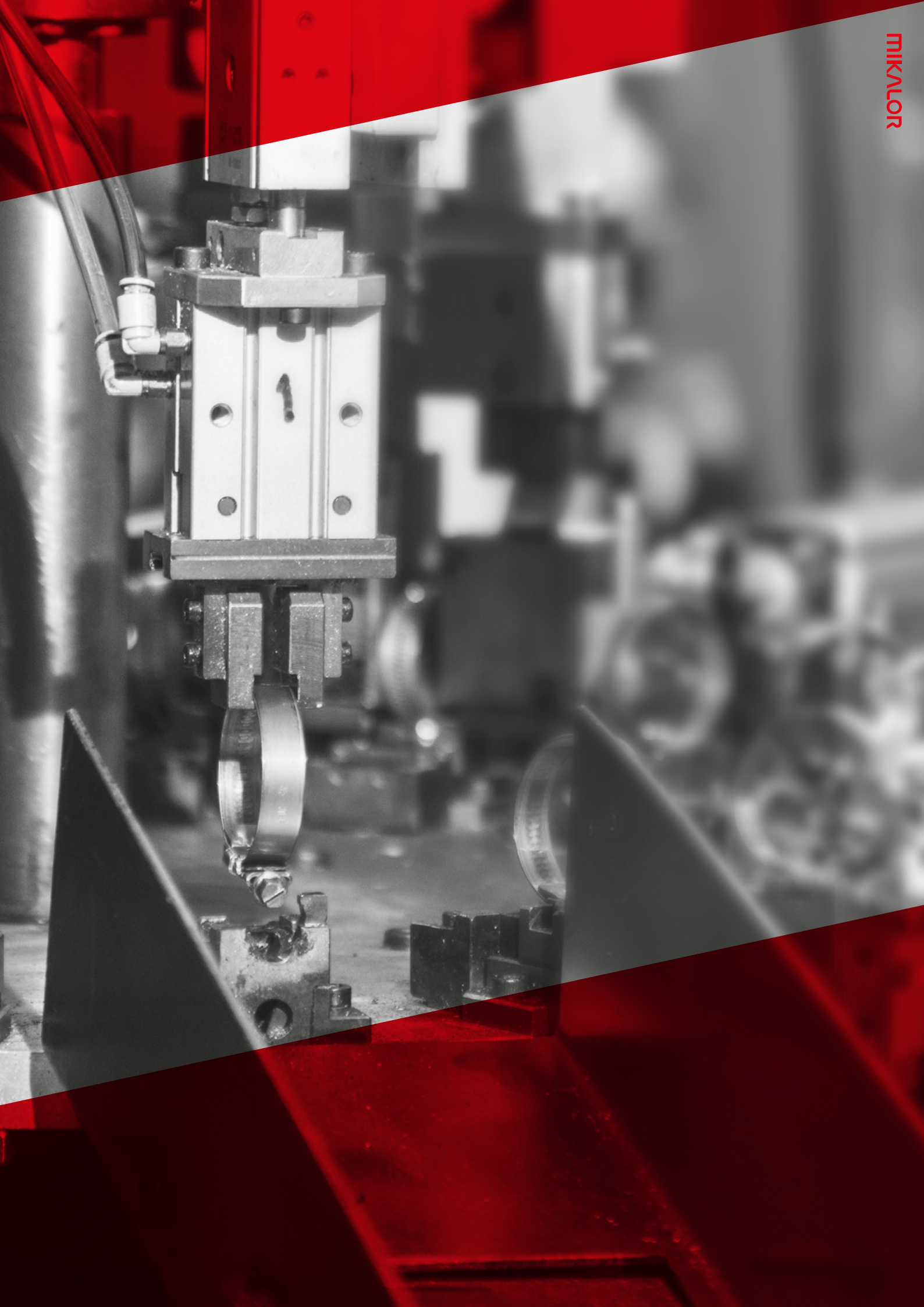
Medium Pressure

Our entire range of medium pressure hose clamps is designed with aim of guaranteeing 100% leaktightness in applications involving any liquid or fluid.

All the materials used to manufacture this range are of the highest possible tensile strength available for each different material. The use of this top-quality material helps to ensure an increase in the performance of our clamps at the same tightening torque.

The wide range of materials, models and finishes means that we can cover all existing applications.







W1

Fixed diameter "S" Clamp

The fixed diameter "S" clamp was designed to ensure the best possible fit of hose and coupling. The clamping range of this clamp is minimal, meaning that the diameter of the clamp before and after tightening is very similar. Once the clamp has been mounted and tightened it fits the desired diameter exactly. Another advantage is that very little tightening is required to reach the required torque. The design of the "S" clamp means that it can be used to assemble hoses with metal or plastic couplings. It is particularly recommended for certain sectors ranging from medical machinery manufacture to cars and motorcycles.

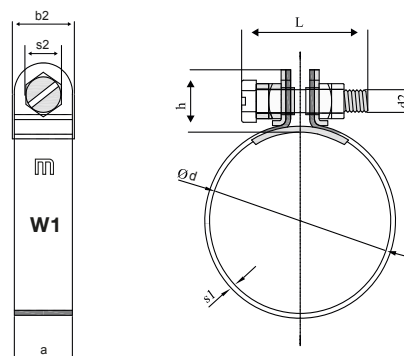
DIN3017-2

** This clamp can be supplied in diameters up to 120mm and in bandwidths up to 20mm.*

Application Ø

d	Article	Part n°	a	L max.	d2	b2	s1 +0,2-0,1	h	s2	Box Quantity (MOQ)	Outer Packing
10	ADF10/9	0303201-0	9	31	M.4	10,5	0,4	11	Iso 1207	500	2.000
11	ADF11/9	0303202-9	9	31	M.4	10,5	0,4	11	Iso 1207	500	500
12	ADF12/9	0303203-7	9	31	M.4	10,5	0,4	11	Iso 1207	500	2.000
13	ADF13/9	0303204-5	9	31	M.4	10,5	0,4	11	Iso 1207	500	500
14	ADF14/9	0303205-3	9	31	M.4	10,5	0,4	11	Iso 1207	500	500
15	ADF15/9	0303206-1	9	31	M.4	10,5	0,4	11	Iso 1207	500	2.000
16	ADF16/9	0303207-0	9	31	M.4	10,5	0,4	11	Iso 1207	500	1.000
17	ADF17/9	0303208-8	9	31	M.4	10,5	0,4	11	Iso 1207	500	500
18	ADF18/9	0303209-6	9	31	M.4	10,5	0,4	11	Iso 1207	250	1.000
19	ADF19/9	0303210-9	9	31	M.4	10,5	0,4	11	Iso 1207	250	1.000
20	ADF20/9	0303211-7	9	31	M.4	10,5	0,4	11	Iso 1207	250	1.000
21	ADF21/12	0303274-0	12	35	M.5	14	0,5	13,5	Din 931 (8)	250	1.000
22	ADF22/12	0303275-8	12	35	M.5	14	0,5	13,5	Din 931 (8)	200	800
23	ADF23/12	0303276-6	12	35	M.5	14	0,5	13,5	Din 931 (8)	250	250
24	ADF24/12	0303277-4	12	35	M.5	14	0,5	13,5	Din 931 (8)	200	800
25	ADF25/12	0303278-2	12	35	M.5	14	0,5	13,5	Din 931 (8)	200	800
26	ADF26/12	0303279-0	12	35	M.5	14	0,5	13,5	Din 931 (8)	200	800
27	ADF27/12	0303280-3	12	35	M.5	14	0,5	13,5	Din 931 (8)	200	200
28	ADF28/12	0303281-1	12	35	M.5	14	0,5	13,5	Din 931 (8)	250	250
29	ADF29/12	0303282-0	12	35	M.5	14	0,5	13,5	Din 931 (8)	100	400
30	ADF30/12	0303283-8	12	35	M.5	14	0,5	13,5	Din 931 (8)	100	400
21	ADF 21/15	0303334-7	15	40	M.6	17	0,6	17	Din 931 - (10)	250	250
23	ADF 23/15	0303336-3	15	40	M.6	17	0,6	17	Din 931 - (10)	250	250
25	ADF 25/15	0303338-0	15	40	M.6	17	0,6	17	Din 931 - (10)	250	250
26	ADF 26/15	0303339-8	15	40	M.6	17	0,6	17	Din 931 - (10)	250	250
31	ADF31/15	0303344-3	15	40	M.6	17	0,6	17	Din 931 - (10)	100	400
32	ADF32/15	0303345-1	15	40	M.6	17	0,6	17	Din 931 - (10)	100	400
33	ADF33/15	0303346-0	15	40	M.6	17	0,6	17	Din 931 - (10)	100	400
34	ADF34/15	0303347-8	15	40	M.6	17	0,6	17	Din 931 - (10)	100	400
35	ADF35/15	0303348-6	15	40	M.6	17	0,6	17	Din 931 - (10)	100	400
36	ADF36/15	0303349-4	15	40	M.6	17	0,6	17	Din 931 - (10)	100	100
44	ADF 44/15	0303357-4	15	40	M.6	17	0,6	17	Din 931 - (10)	100	100
46	ADF 46/15	0303359-0	15	40	M.6	17	0,6	17	Din 931 - (10)	100	100

TECHNICAL INFORMATION	
MATERIAL	BAND: STEEL DIN 1.0935 SCREW: 8.8 GRADE STEEL SILVER-WHITE Cr3 ZINC-PLATED NUT: 6 GRADE STEEL SILVER-WHITE Cr3 ZINC-PLATED
FINISH	GALVANIZED STEEL
CORROSION RESISTANCE	72 HOURS SALT SPRAY (ASTM B-117)



Open Worm-Drive Clip

The reduced dimensions of the housing of this clip make it the ideal choice for applications where space is at a premium. This clip is delivered open, making it suitable for use in difficult applications with little space to manoeuvre.

This clip is especially recommended for clamping small bore thin-walled hoses.

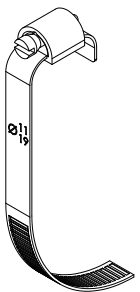
** The maximum pressure may vary depending on the type of hose and coupling used.*

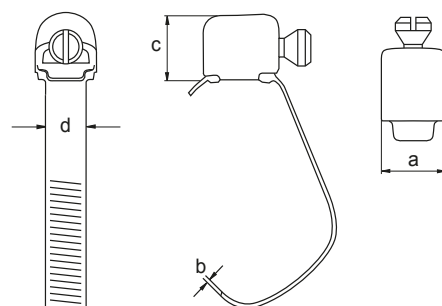
W2



Application Ø						Maximum values		Box Quantity (MOQ)	Outer Packing
mm	Part n°	a	b	c	d	Torque (Nm)	Pressure (Bars)		
6-11	0301640-1	7,5	0,4	7	5	1,5	25	100	1600
11-19	0301641-0	7,5	0,4	7	5	1,5	25	100	1600

** It is recommended to apply 75% of the maximum values contained in the table.*

TECHNICAL INFORMATION	
	MATERIAL BAND: STAINLESS STEEL X8 Cr17 (AISI 430) SCREW AND HOUSING: STEEL Qst 34-3
	FINISH BAND AND HOUSING: STAINLESS STEEL SCREW: SILVER-WHITE Cr3 ZINC-PLATED
	CORROSION RESISTANCE 72 HOURS SALT SPRAY (ASTM B-117)





W1

ASFA L (9 mm) Hose Clamp Galvanized Steel - W1

Thanks to the exclusive design of the housing and the high-strength screw, the ASFA LW1 Worm-Drive Clip has excellent performance while being at the same time very compact.

The cold-formed stamped 9mm band, smoothed on the underside, combined with the beveled band edges protects the hose from any damage.

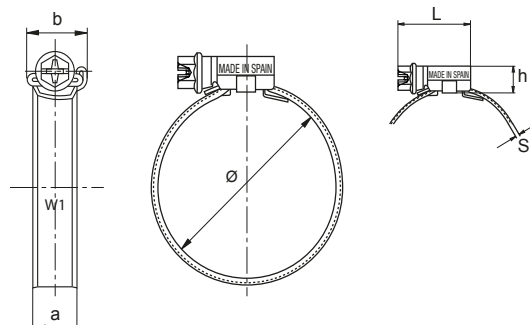
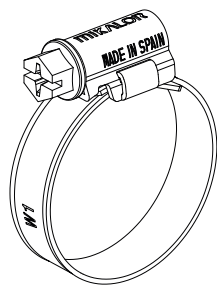
DIN 3017. The ASFA LW1 hose clip complies fully with the DIN 3017 norm and also with the directive EU 2002/95/EC. This clip is ideal for general industrial applications.

** The maximum application pressure can vary depending on the type of hose used and the geometry of the coupling.*

Application Ø											
mm	Part nº	L max.	S +0,10	h max.	a +0,3 a -0,2	b max.	Maximum values		Box Quantity (M00)	Outer Packing	
							Torque (Nm)	Pressure (Bars)			
8-12	0300874-5	17,5	0,65	9,2	7	11,5	1,5	15	200	1600	
8-16	0300875-3	22,1	0,65	10,5	9	14	3	40	200	800	
12-22	0300876-1	22,1	0,65	10,5	9	14	3	40	200	800	
16-27	0300877-0	23,6	0,75	10,5	9	14	3,5	38	200	800	
20-32	0300878-8	23,6	0,75	10,5	9	14	3,5	36	200	800	
25-40	0300879-6	25,6	0,75	10,5	9	14	4	32	100	400	
30-45	0300880-9	25,6	0,75	10,5	9	14	4	28	100	800	
32-50	0300881-7	25,6	0,75	10,5	9	14	4	24	100	800	
40-60	0300882-5	25,6	0,75	10,5	9	14	4	19	100	400	
50-70	0300883-3	29,6	0,75	10,5	9	14	4	17	100	100	
60-80	0300884-1	29,6	0,75	10,5	9	14	4	15	100	100	
70-90	0300885-0	29,6	0,75	10,5	9	14	4	13	50	400	
80-100	0300886-8	29,6	0,75	10,5	9	14	4	11	50	400	
90-110	0300887-6	29,6	0,75	10,5	9	14	4	10	25	200	
100-120	0300888-4	29,6	0,75	10,5	9	14	4	9	25	200	
110-130	0300889-2	29,6	0,75	10,5	9	14	4	8	25	200	
120-140	0300890-5	29,6	0,75	10,5	9	14	4	7	25	200	
130-150	0300891-3	29,6	0,75	10,5	9	14	4	6	25	200	
140-160	0300892-1	29,6	0,75	10,5	9	14	4	5	25	25	

** It is recommended to apply 75% of the maximum values contained in the table.*

TECHNICAL INFORMATION	
MATERIAL	BAND AND HOUSING: GALVANIZED STEEL (EN 1.0935) SCREW: STEEL Qst 36-3 (DIN 1.0214)
FINISH	BAND AND HOUSING: GALVANIZED STEEL SCREW: GREY-WHITE Cr3 ZINC-PLATED
CORROSION RESISTANCE	144 HOURS SALT SPRAY (ASTM B-117)
MAXIMUM TIGHTENING SPEED (RPM)	540 ±5



ASFA L (9 mm) Hose Clamp AISI 430 Stainless Steel - W2



W2

Thanks to the exclusive design of the housing and the high-strength screw, the ASFA LW2 hose clip has excellent performance while being at the same time very compact.

The cold-formed stamped 9mm band, smoothed on the underside, combined with the bevelled band edges protects the hose from any damage. W2 material is very versatile, meaning that this clamp is used in many different sectors and is our top-selling 9mm bandwidth clamp.

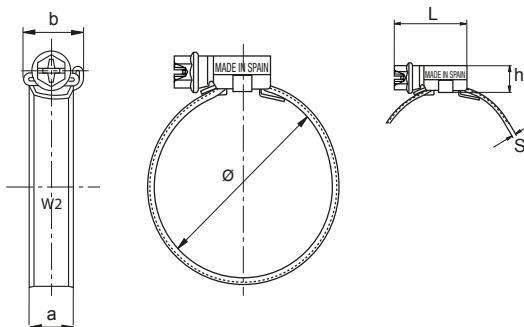
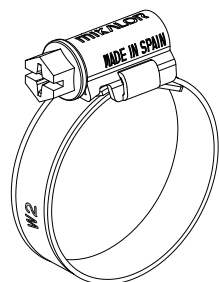
DIN 3017. The ASFA LW2 hose clip complies fully with the DIN 3017 norm and also with the directive EU 2002/95/EC.

** The maximum application pressure can vary depending on the type of hose used and the geometry of the coupling.*

Application Ø										
mm	Part nº	L max.	S +0,10	h max.	a +0,3 a -0,2	b max.	Maximum values		Box Quantity (MOQ)	Outer Packing
							Torque (Nm)	Pressure (Bars)		
8-12	0301650-8	17,5	0,65	9,2	7	11,5	1,5	15	200	1600
8-16	0301651-6	22,1	0,65	10,5	9	14	3	40	200	800
12-22	0301652-4	22,1	0,65	10,5	9	14	3	40	200	800
16-27	0301653-2	23,6	0,75	10,5	9	14	3,5	38	200	800
20-32	0301654-0	23,6	0,75	10,5	9	14	3,5	36	200	800
25-40	0301655-9	25,6	0,75	10,5	9	14	4	32	100	400
30-45	0301656-7	25,6	0,75	10,5	9	14	4	28	100	800
32-50	0301657-5	25,6	0,75	10,5	9	14	4	24	100	800
40-60	0301658-3	25,6	0,75	10,5	9	14	4	19	100	400
50-70	0301659-1	29,6	0,75	10,5	9	14	4	17	100	100
60-80	0301660-4	29,6	0,75	10,5	9	14	4	15	100	100
70-90	0301661-2	29,6	0,75	10,5	9	14	4	13	50	400
80-100	0301662-0	29,6	0,75	10,5	9	14	4	11	50	400
90-110	0301663-9	29,6	0,75	10,5	9	14	4	10	25	200
100-120	0301664-7	29,6	0,75	10,5	9	14	4	9	25	200
110-130	0301665-5	29,6	0,75	10,5	9	14	4	8	25	200
120-140	0301666-3	29,6	0,75	10,5	9	14	4	7	25	200
130-150	0301667-1	29,6	0,75	10,5	9	14	4	6	25	200
140-160	0301668-0	29,6	0,75	10,5	9	14	4	5	25	25

** It is recommended to apply 75% of the maximum values contained in the table.*

TECHNICAL INFORMATION	
MATERIAL	BAND AND HOUSING: STAINLESS STEEL (AISI-430) SCREW: STEEL Qst 36-3 (DIN 1.0214)
FINISH	BAND AND HOUSING: STAINLESS STEEL SCREW: GREY-WHITE Cr3 ZINC-PLATED
CORROSION RESISTANCE	72 HOURS SALT SPRAY (ASTM B-117)
MAXIMUM TIGHTENING SPEED (RPM)	540 ±5



ASFA L (9 mm) Hose Clamp AISI 430 Stainless Steel - W3



W3

Thanks to the exclusive design of the housing and the high-strength screw, the ASFA LW3 hose clip has excellent performance while being at the same time very compact.

The cold-formed stamped 9mm band, smoothed on the underside, combined with the bevelled band edges protects the hose from any damage. This clamp is especially indicated for use in the automotive sector.

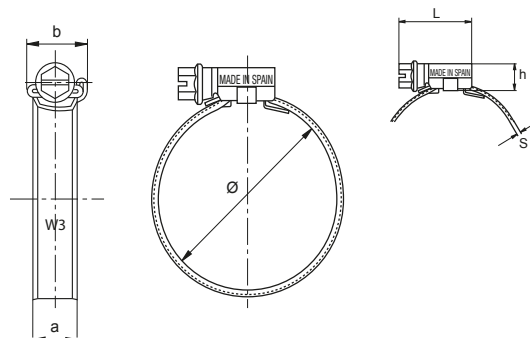
DIN 3017. The ASFA LW3 hose clip complies fully with the DIN 3017 norm and also with the directive EU 2002/95/EC.

** The maximum application pressure can vary depending on the type of hose used and the geometry of the coupling.*

Application Ø										
mm	Part nº	L max.	S +0,10	h max.	a +0,3 a -0,2	b max.	Maximum values		Box Quantity (MOQ)	Outer Packing
							Torque (Nm)	Pressure (Bars)		
8-16	0301601-4	22,1	0,65	10,5	9	14	3	40	200	800
12-22	0301602-2	22,1	0,65	10,5	9	14	3	40	200	800
16-27	0301603-0	23,6	0,75	10,5	9	14	3,5	38	200	800
20-32	0301604-9	23,6	0,75	10,5	9	14	3,5	36	200	800
25-40	0301606-5	25,6	0,75	10,5	9	14	4	32	100	400
30-45	0301607-3	25,6	0,75	10,5	9	14	4	28	100	800
32-50	0301608-1	25,6	0,75	10,5	9	14	4	24	100	800
40-60	0301609-0	25,6	0,75	10,5	9	14	4	19	100	400
50-70	0301610-2	29,6	0,75	10,5	9	14	4	17	100	100
60-80	0301611-0	29,6	0,75	10,5	9	14	4	15	100	100
70-90	0301612-9	29,6	0,75	10,5	9	14	4	13	50	400
80-100	0301613-7	29,6	0,75	10,5	9	14	4	11	50	400
90-110	0301614-5	29,6	0,75	10,5	9	14	4	10	25	200
100-120	0301615-3	29,6	0,75	10,5	9	14	4	9	25	200
110-130	0301616-1	29,6	0,75	10,5	9	14	4	8	25	200
120-140	0301617-0	29,6	0,75	10,5	9	14	4	7	25	200
130-150	0301618-8	29,6	0,75	10,5	9	14	4	6	25	200
140-160	0301619-6	29,6	0,75	10,5	9	14	4	5	25	25

** It is recommended to apply 75% of the maximum values contained in the table.*

TECHNICAL INFORMATION	
MATERIAL	BAND AND HOUSING: STAINLESS STEEL X6Cr17(AISI-430) SCREW: STAINLESS STEEL (AISI-304 CU)
FINISH	STAINLESS STEEL
CORROSION RESISTANCE	200 HOURS SALT SPRAY (ASTM B-117)
MAXIMUM TIGHTENING SPEED (RPM)	540 ±5



ASFA L (9 mm) Hose Clamp AISI 304 Stainless Steel - W4



W4

Manufactured entirely in AISI 304 Stainless Steel, the ASFA LW4 has high corrosion resistance that, combined with the exclusive design of the housing and screw, make this a durable clamp once assembled.

The cold-formed stamped 9mm band, smoothed on the underside, combined with the bevelled band edges protects the hose from any damage. This clamp is especially indicated for use in corrosive environments and in the foodstuffs industry.

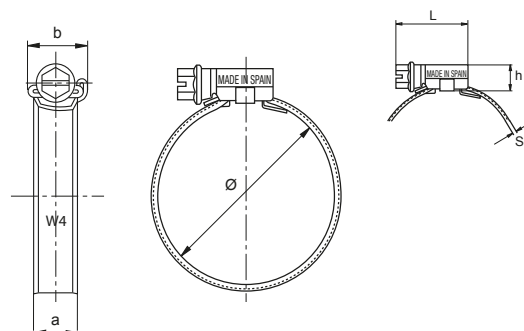
DIN 3017. The ASFA LW4 hose clip complies fully with the DIN 3017 norm and also with the directive EU 2002/95/EC.

** The maximum application pressure can vary depending on the type of hose used and the geometry of the coupling.*

Application Ø										
mm	Part nº	L max.	S +0,10	h max.	a +0,3 a -0,2	b max.	Maximum values		Box Quantity (MOQ)	Outer Packing
							Torque (Nm)	Pressure(Bars)		
8-12	0301400-0	17,5	0,65	9,2	7	11,5	1,5	15	200	1600
8-16	0301401-9	22,1	0,65	10,5	9	14	3	40	200	800
12-22	0301402-7	22,1	0,65	10,5	9	14	3	40	200	800
16-27	0301403-5	23,6	0,75	10,5	9	14	3,5	38	200	800
20-32	0301404-3	23,6	0,75	10,5	9	14	3,5	36	200	800
25-40	0301405-1	25,6	0,75	10,5	9	14	4	32	100	400
30-45	0301406-0	25,6	0,75	10,5	9	14	4	28	100	800
32-50	0301407-8	25,6	0,75	10,5	9	14	4	24	100	800
40-60	0301408-6	25,6	0,75	10,5	9	14	4	19	100	400
50-70	0301409-4	29,6	0,75	10,5	9	14	4	17	100	100
60-80	0301410-7	29,6	0,75	10,5	9	14	4	15	100	100
70-90	0301411-5	29,6	0,75	10,5	9	14	4	13	50	400
80-100	0301412-3	29,6	0,75	10,5	9	14	4	11	50	400
90-110	0301414-0	29,6	0,75	10,5	9	14	4	10	25	200
100-120	0301415-8	29,6	0,75	10,5	9	14	4	9	25	200
110-130	0301416-6	29,6	0,75	10,5	9	14	4	8	25	200
120-140	0301417-4	29,6	0,75	10,5	9	14	4	7	25	200
130-150	0301418-2	29,6	0,75	10,5	9	14	4	6	25	200
140-160	0301419-0	29,6	0,75	10,5	9	14	4	5	25	25

** It is recommended to apply 75% of the maximum values contained in the table.*

TECHNICAL INFORMATION	
MATERIAL	BAND AND HOUSING: STAINLESS STEEL X5CrNi1810 (AISI-304) SCREW: STAINLESS STEEL (AISI-304)
FINISH	STAINLESS STEEL
CORROSION RESISTANCE	400 HOURS SALT SPRAY (ASTM B-117)
MAXIMUM TIGHTENING SPEED (RPM)	540 ± 5



ASFA L (9 mm) Hose Clamp AISI 316 Stainless Steel - W5



W5

Manufactured entirely in AISI 316 Stainless Steel, the ASFA LW5 is ideal for use in highly corrosive environments. It is a very popular clamp in regions with high salinity, moisture, rain or snow.

The cold-formed stamped 9mm band, smoothed on the underside, combined with the bevelled band edges protects the hose from any damage. This clamp is especially indicated for use in the pulp and paper, maritime and foodstuffs industries.

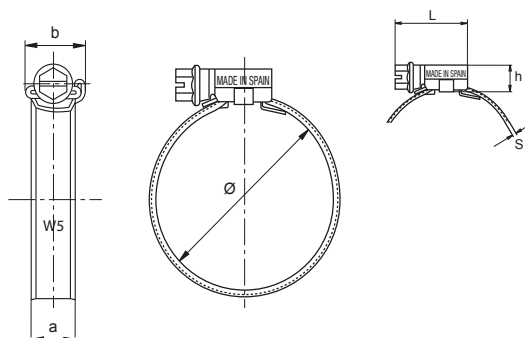
DIN 3017. The ASFA LW5 hose clip complies fully with the DIN 3017 norm and also with the directive EU 2002/95/EC.

** The maximum application pressure can vary depending on the type of hose used and the geometry of the coupling.*

Application Ø										
mm	Part nº	L max.	S +0,10	h max.	a +0,3 a -0,2	b max.	Maximum values		Box Quantity (MOO)	Outer Packing
							Torque (Nm)	Pressure (Bars)		
8-16	0301575-9	22,1	0,65	10,5	9	14	3	40	200	800
12-22	0301576-7	22,1	0,65	10,5	9	14	3	40	200	800
16-27	0301577-5	23,6	0,75	10,5	9	14	3,5	38	200	800
20-32	0301578-3	23,6	0,75	10,5	9	14	3,5	36	200	800
25-40	0301580-4	25,6	0,75	10,5	9	14	4	32	100	800
30-45	0301581-2	25,6	0,75	10,5	9	14	4	28	100	800
32-50	0301582-0	25,6	0,75	10,5	9	14	4	24	100	800
40-60	0301583-9	25,6	0,75	10,5	9	14	4	19	100	400
50-70	0301584-7	29,6	0,75	10,5	9	14	4	17	100	100
60-80	0301585-5	29,6	0,75	10,5	9	14	4	15	100	100
70-90	0301586-3	29,6	0,75	10,5	9	14	4	13	50	400
80-100	0301587-1	29,6	0,75	10,5	9	14	4	11	50	400
90-110	0301588-0	29,6	0,75	10,5	9	14	4	10	25	200
100-120	0301589-8	29,6	0,75	10,5	9	14	4	9	25	200
110-130	0301590-0	29,6	0,75	10,5	9	14	4	8	25	200
120-140	0301591-9	29,6	0,75	10,5	9	14	4	7	25	200
130-150	0301592-7	29,6	0,75	10,5	9	14	4	6	25	200
140-160	0301593-5	29,6	0,75	10,5	9	14	4	5	25	25

** It is recommended to apply 75% of the maximum values contained in the table.*

TECHNICAL INFORMATION	
MATERIAL	STAINLESS STEEL AISI-316
FINISH	STAINLESS STEEL
CORROSION RESISTANCE	1000 HOURS SALT SPRAY (ASTM B-117)
MAXIMUM TIGHTENING SPEED (RPM)	540 ±5



ASFA L (9 mm) Hose Clamp AISI 430 Stainless Steel - W3 - Black



W3

This clamp is manufactured in AISI 430 with an additional matt-black surface treatment which increases its corrosion resistance. Thanks to the surface treatment this clamp can be mounted discreetly in any application, making it a favourite in automotive or motorcycle applications.

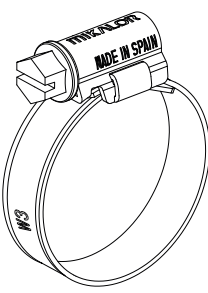
The geometry, band, stamping, housing and screw are identical to other ASFA clamps, meaning that the performance is not altered in any way.

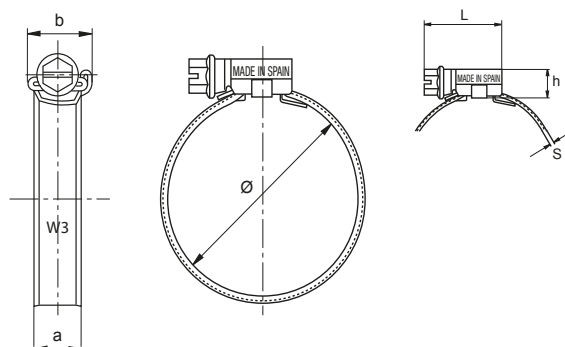
DIN 3017. The Black ASFA LW3 hose clip complies fully with the DIN 3017 norm and also with the directive EU 2002/95/EC.

** The maximum application pressure can vary depending on the type of hose used and the geometry of the coupling.*

Application Ø										
mm	Part nº	L max.	S +0,10	h max.	a +0,3 a -0,2	b max.	Maximum values		Box Quantity (MOQ)	Outer Packing
							Torque (Nm)	Pressure(Bars)		
8-16	7301601-1	22,1	0,65	10,5	9	14	3	40	200	800
12-22	7301602-0	22,1	0,65	10,5	9	14	3	40	200	800
16-27	7301603-8	23,6	0,75	10,5	9	14	3,5	38	200	800
20-32	7301604-6	23,6	0,75	10,5	9	14	3,5	36	200	800
25-40	7301606-2	25,6	0,75	10,5	9	14	4	32	100	800
30-45	7301607-0	25,6	0,75	10,5	9	14	4	28	100	800
32-50	7301608-9	25,6	0,75	10,5	9	14	4	24	100	800
40-60	7301609-5	25,6	0,75	10,5	9	14	4	19	100	400
50-70	7301610-0	29,6	0,75	10,5	9	14	4	17	100	100
60-80	7301611-8	29,6	0,75	10,5	9	14	4	15	100	100
70-90	7301612-6	29,6	0,75	10,5	9	14	4	13	50	400
80-100	7301613-4	29,6	0,75	10,5	9	14	4	11	50	400
90-110	7301614-2	29,6	0,75	10,5	9	14	4	10	25	200
100-120	7301615-0	29,6	0,75	10,5	9	14	4	9	25	200
110-130	7301616-9	29,6	0,75	10,5	9	14	4	8	25	200
120-140	7301617-7	29,6	0,75	10,5	9	14	4	7	25	200
130-150	7301618-5	29,6	0,75	10,5	9	14	4	6	25	200
140-160	7301619-3	29,6	0,75	10,5	9	14	4	5	25	25

** It is recommended to apply 75% of the maximum values contained in the table.*

TECHNICAL INFORMATION	
	MATERIAL STAINLESS STEEL (DIN 1.4016) AISI-430
	FINISH DELTA SEAL BLACK
	CORROSION RESISTANCE 250 HOURS SALT SPRAY (ASTM B-117)
	MAXIMUM TIGHTENING SPEED (RPM) 540 ±5



ASFA S-PRO Hose Clamp

DIN 3017



Designed for both manual and automated assembly.

ASFA S-PRO clamps were designed from the outset with the aim of guaranteeing maximum performance at low tightening torque.

All Mikalor hose clips are marked with the application range, material, the Mikalor logo and the country of manufacture in compliance with DIN 3017.

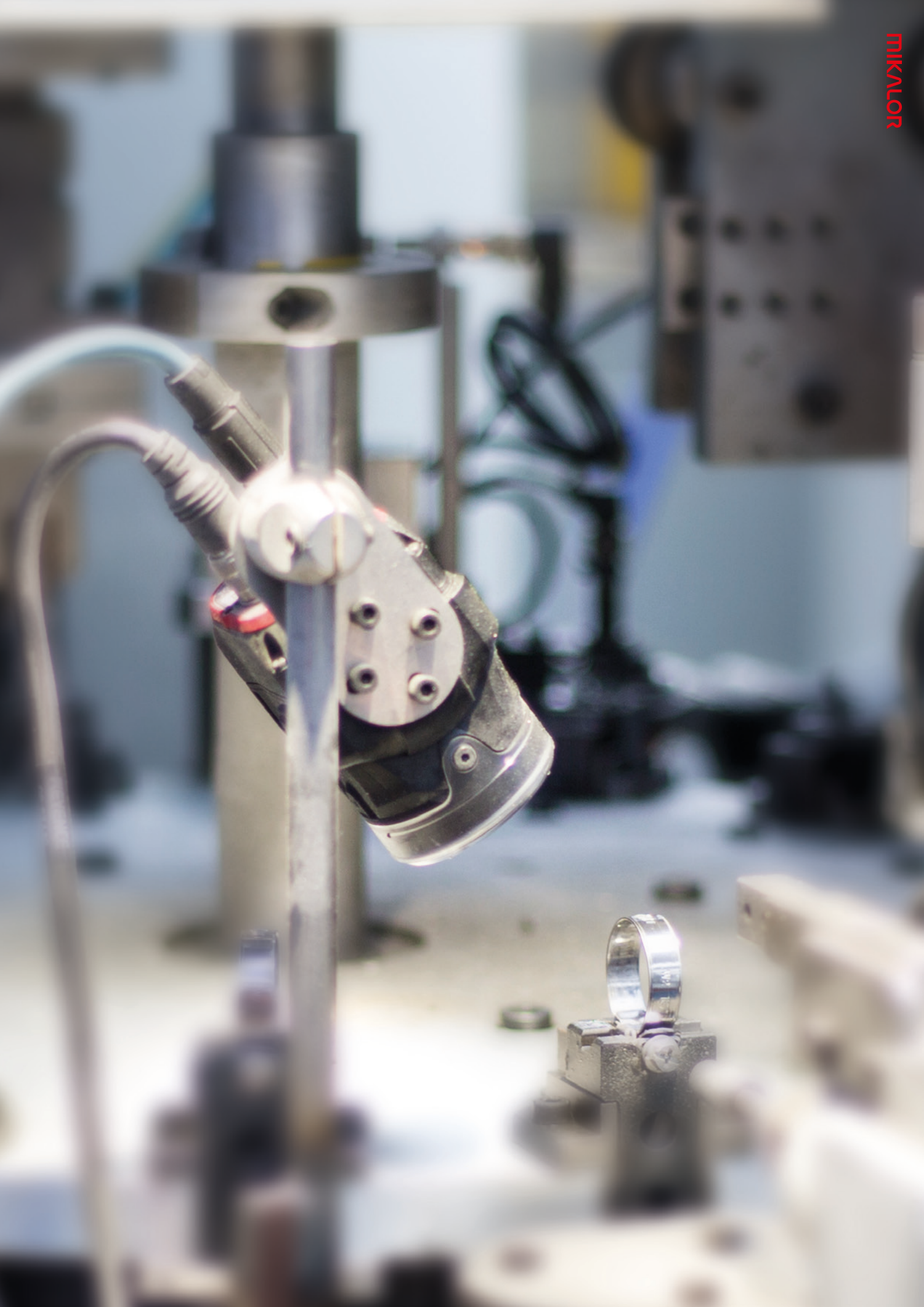
The exclusive design of the housing keeps the screw in firm contact with the band at all times.

Bevelled band edges to avoid the clip cutting into the hose.

Cold formed stamped band thread which gives a very good grip as the raised thread is deeper than the thickness of the material used.

Smooth band underside which avoids damage to the hose.

Inner lip specially designed to guide the band end around the underside of the band. This feature gives ASFA S-PRO superior performance to its competitors.



ASFA S (12 mm) Hose Clamp Galvanized Steel - W1



W1

This clamp represents the latest stage in the evolution of the ASFA 12mm range. One of the main developments in this version is the lateral displacement of the band thread, which reduces the tendency of the band end to exit the housing off-centre when tightened.

Thanks to the combination of the housing, locking system and the location of the screw within the housing, this clamp offers superior performance at the same torque ratings.

Specially recommended for industrial applications.

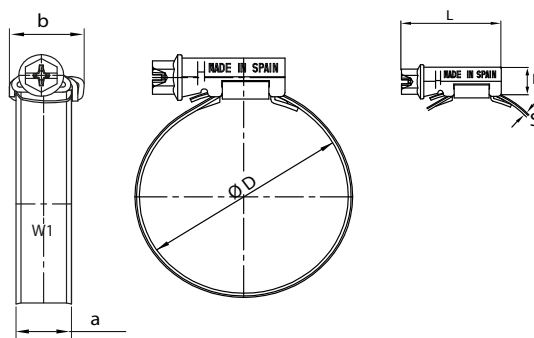
DIN 3017. The ASFA SW1 hose clip complies fully with the DIN 3017 norm and also with the directive EU 2002/95/EC.

** The maximum application pressure can vary depending on the type of hose used and the geometry of the coupling.*

Application Ø										
mm	Part nº	L max.	S +0,10	h max.	a +0,3 a -0,1	b max.	Maximum values		Box Quantity (MOQ)	Outer Packing
							Torque (Nm)	Pressure (Bars)		
16-27	0300900-1	29,6	0,85	11	12,2	16,7	4,5	40	50	400
20-32	0300900-2	29,6	0,85	11	12,2	16,7	5,5	40	50	400
25-40	0300900-3	29,6	0,85	11	12,2	16,7	5,5	40	50	400
30-45	0300900-4	29,6	0,85	11	12,2	16,7	5,5	35	50	400
32-50	0300900-5	29,6	0,85	11	12,2	16,7	6,5	35	50	200
40-60	0300900-6	29,6	0,85	11	12,2	16,7	6,5	30	50	400
50-70	0300900-7	29,6	0,85	11	12,2	16,7	7	25	50	400
60-80	0300900-8	29,6	0,85	11	12,2	16,7	7	20	50	50
70-90	0300900-9	29,6	0,85	11	12,2	16,7	7	17	50	50
80-100	0300901-0	29,6	0,85	11	12,2	16,7	7	14	25	200
90-110	0300901-1	29,6	0,85	11	12,2	16,7	7	12	25	200
100-120	0300901-2	29,6	0,85	11	12,2	16,7	7	10	25	200
110-130	0300901-3	29,6	0,85	11	12,2	16,7	7	8	25	25
120-140	0300901-4	29,6	0,85	11	12,2	16,7	7	7	25	25
130-150	0300901-5	31,6	0,85	11	12,2	16,7	7	6	25	25
140-160	0300901-6	31,6	0,85	11	12,2	16,7	7	5	25	25
150-170	0300901-7	31,6	0,85	11	12,2	16,7	7	4	25	25
160-180	0300901-8	31,6	0,85	11	12,2	16,7	7	3	25	25
170-190	0300901-9	31,6	0,85	11	12,2	16,7	7	2	10	10
180-200	0300902-0	31,6	0,85	11	12,2	16,7	7	2	10	10
190-210	0300902-1	31,6	0,85	11	12,2	16,7	7	1,8	10	10
200-220	0300902-2	31,6	0,85	11	12,2	16,7	7	1,8	10	10
210-230	0300902-3	31,6	0,85	11	12,2	16,7	7	1,6	10	10
220-240	0300902-4	31,6	0,85	11	12,2	16,7	7	1,6	10	10

** It is recommended to apply 75% of the maximum values contained in the table.*

TECHNICAL INFORMATION	
MATERIAL	BAND AND HOUSING: GALVANIZED STEEL (DIN 1.0935) SCREW: STEEL Qst 36-3 (DIN 1.0214)
FINISH	BAND AND HOUSING: GALVANIZED STEEL SCREW: GREY-WHITE Cr3 ZINC-PLATED
CORROSION RESISTANCE	144 HOURS SALT SPRAY (ASTM B-117)
MAXIMUM TIGHTENING SPEED (RPM)	540 ±5



ASFA S (12 mm) Hose Clamp AISI 430 Stainless Steel - W2



W2

This clamp represents the latest stage in the evolution of the ASFA 12mm range. One of the main developments in this version is the lateral displacement of the band thread, which reduces the tendency of the band end to exit the housing off-centre when tightened.

Thanks to the combination of the housing, locking system and the location of the screw within the housing, this clamp offers superior performance at the same torque ratings.

Specially recommended for industrial applications.

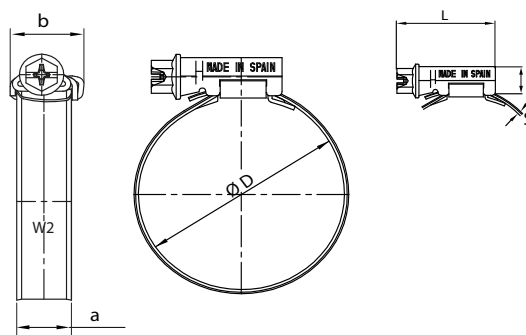
DIN 3017. The ASFA SW2 hose clip complies fully with the DIN 3017 norm and also with the directive EU 2002/95/EC.

** The maximum application pressure can vary depending on the type of hose used and the geometry of the coupling.*

Application Ø										
mm	Part nº	L max.	S +0,10	h max.	a +0,3 a -0,1	b max.	Maximum values		Box Quantity (MOQ)	Outer Packing
							Torque (Nm)	Pressure (Bars)		
16-27	0301701-7	29,6	0,85	11	12,2	16,7	4,5	40	50	400
20-32	0301702-5	29,6	0,85	11	12,2	16,7	5,5	40	50	400
25-40	0301703-3	29,6	0,85	11	12,2	16,7	5,5	40	50	400
30-45	0301700-9	29,6	0,85	11	12,2	16,7	5,5	35	50	400
32-50	0301704-1	29,6	0,85	11	12,2	16,7	6,5	35	50	200
40-60	0301705-0	29,6	0,85	11	12,2	16,7	6,5	30	50	400
50-70	0301706-8	29,6	0,85	11	12,2	16,7	7	25	50	400
60-80	0301707-6	29,6	0,85	11	12,2	16,7	7	20	50	50
70-90	0301708-4	29,6	0,85	11	12,2	16,7	7	17	50	50
80-100	0301709-2	29,6	0,85	11	12,2	16,7	7	14	25	200
90-110	0301710-5	29,6	0,85	11	12,2	16,7	7	12	25	200
100-120	0301711-3	29,6	0,85	11	12,2	16,7	7	10	25	200
110-130	0301712-1	29,6	0,85	11	12,2	16,7	7	8	25	25
120-140	0301713-0	29,6	0,85	11	12,2	16,7	7	7	25	25
130-150	0301714-8	31,6	0,85	11	12,2	16,7	7	6	25	25
140-160	0301715-6	31,6	0,85	11	12,2	16,7	7	5	25	25
150-170	0301716-4	31,6	0,85	11	12,2	16,7	7	4	25	25
160-180	0301717-2	31,6	0,85	11	12,2	16,7	7	3	25	25
170-190	0301718-0	31,6	0,85	11	12,2	16,7	7	2	10	10
180-200	0301719-9	31,6	0,85	11	12,2	16,7	7	2	10	10
190-210	0301720-1	31,6	0,85	11	12,2	16,7	7	1,8	10	10
200-220	0301721-0	31,6	0,85	11	12,2	16,7	7	1,8	10	10
210-230	0301722-8	31,6	0,85	11	12,2	16,7	7	1,6	10	10
220-240	0301723-6	31,6	0,85	11	12,2	16,7	7	1,6	10	10

** It is recommended to apply 75% of the maximum values contained in the table.*

TECHNICAL INFORMATION	
MATERIAL	BAND AND HOUSING: INOXIDABLE (AISI-430) SCREW: STEEL Qst 36-3 (DIN 1.0214)
FINISH	BAND AND HOUSING: STAINLESS STEEL SCREW: GREY-WHITE Cr3 ZINC-PLATED
CORROSION RESISTANCE	72 HOURS SALT SPRAY (ASTM B-117)
MAXIMUM TIGHTENING SPEED (RPM)	540 ±5





W3

ASFA S (12 mm) Hose Clamp AISI 430 Stainless Steel - W3

This clamp represents the latest stage in the evolution of the ASFA 12mm range. One of the main developments in this version is the lateral displacement of the band thread, which reduces the tendency of the band end to exit the housing off-centre when tightened.

Thanks to the combination of the housing, locking system and the location of the screw within the housing, this clamp offers superior performance at the same torque ratings.

Specially recommended for automotive applications.

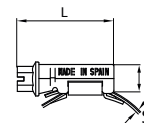
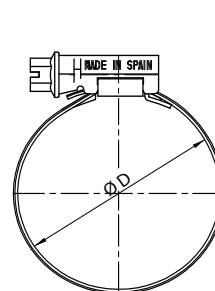
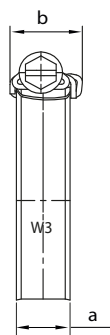
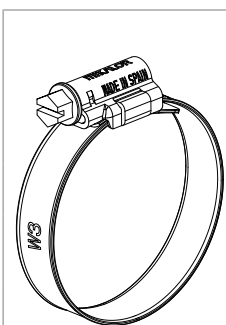
DIN 3017. The ASFA SW3 hose clip complies fully with the DIN 3017 norm and also with the directive EU 2002/95/EC.

** The maximum application pressure can vary depending on the type of hose used and the geometry of the coupling.*

Application Ø										
mm	Part nº	L max.	S +0,10	h max.	a +0,3 a -0,1	b max.	Maximum values		Box Quantity (MOQ)	Outer Packing
							Torque (Nm)	Pressure (Bars)		
16-27	0301620-9	29,6	0,85	11	12,2	16,7	4,5	40	50	400
20-32	0301621-7	29,6	0,85	11	12,2	16,7	5,5	40	50	400
25-40	0301622-5	29,6	0,85	11	12,2	16,7	5,5	40	50	400
30-45	0301623-3	29,6	0,85	11	12,2	16,7	5,5	35	50	400
32-50	0301624-1	29,6	0,85	11	12,2	16,7	6,5	35	50	200
40-60	0301625-0	29,6	0,85	11	12,2	16,7	6,5	30	50	400
50-70	0301626-8	29,6	0,85	11	12,2	16,7	7	25	50	400
60-80	0301627-6	29,6	0,85	11	12,2	16,7	7	20	50	50
70-90	0301628-4	29,6	0,85	11	12,2	16,7	7	17	50	50
80-100	0301629-2	29,6	0,85	11	12,2	16,7	7	14	25	200
90-110	0301630-5	29,6	0,85	11	12,2	16,7	7	12	25	200
100-120	0301631-3	29,6	0,85	11	12,2	16,7	7	10	25	200
110-130	0301632-1	29,6	0,85	11	12,2	16,7	7	8	25	25
120-140	0301633-0	29,6	0,85	11	12,2	16,7	7	7	25	25
130-150	0301634-8	31,6	0,85	11	12,2	16,7	7	6	25	25
140-160	0301635-6	31,6	0,85	11	12,2	16,7	7	5	25	25
150-170	0301636-4	31,6	0,85	11	12,2	16,7	7	4	25	25
160-180	0301637-2	31,6	0,85	11	12,2	16,7	7	3	25	25
170-190	0301638-0	31,6	0,85	11	12,2	16,7	7	2	10	10
180-200	0301639-9	31,6	0,85	11	12,2	16,7	7	2	10	10
190-210	0301642-8	31,6	0,85	11	12,2	16,7	7	1,8	10	10
200-220	0301643-6	31,6	0,85	11	12,2	16,7	7	1,8	10	10
210-230	0301644-4	31,6	0,85	11	12,2	16,7	7	1,6	10	10
220-240	0301645-2	31,6	0,85	11	12,2	16,7	7	1,6	10	10

** It is recommended to apply 75% of the maximum values contained in the table.*

TECHNICAL INFORMATION	
MATERIAL	BAND AND HOUSING: STAINLESS STEEL X6Cr17 (AISI-430) SCREW: STAINLESS STEEL (AISI-304 CU)
FINISH	STAINLESS STEEL
CORROSION RESISTANCE	200 HOURS SALT SPRAY (ASTM B-117)
MAXIMUM TIGHTENING SPEED (RPM)	540 ±5



ASFA S (12 mm) Hose Clamp AISI 304 Stainless Steel - W4



W4

This clamp represents the latest stage in the evolution of the ASFA 12mm range. One of the main developments in this version is the lateral displacement of the band thread, which reduces the tendency of the band end to exit the housing off-centre when tightened.

Thanks to the combination of the housing, locking system and the location of the screw within the housing, this clamp offers superior performance at the same torque ratings.

This clamp is especially indicated for use in corrosive environments and in the foodstuffs industry.

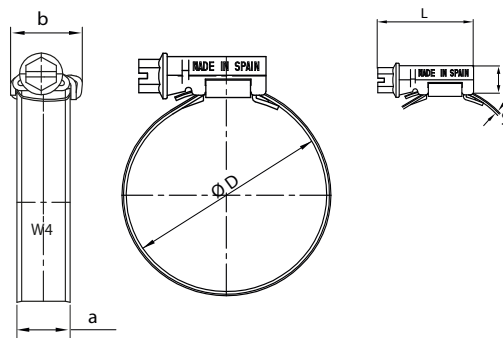
DIN 3017. The ASFA SW4 hose clip complies fully with the DIN 3017 norm and also with the directive EU 2002/95/EC.

** The maximum application pressure can vary depending on the type of hose used and the geometry of the coupling.*

Application Ø										
mm	Part nº	L max.	S +0,10	h max.	a +0,3 a -0,1	b max.	Maximum values		Box Quantity (MOQ)	Outer Packing
							Torque (Nm)	Pressure (Bars)		
16-27	0301473-0	29,6	0,85	11	12,2	16,7	4,5	40	50	400
20-32	0301451-0	29,6	0,85	11	12,2	16,7	5,5	40	50	400
25-40	0301452-9	29,6	0,85	11	12,2	16,7	5,5	40	50	400
30-45	0301474-8	29,6	0,85	11	12,2	16,7	5,5	35	50	400
32-50	0301453-7	29,6	0,85	11	12,2	16,7	6,5	35	50	200
40-60	0301454-5	29,6	0,85	11	12,2	16,7	6,5	30	50	400
50-70	0301455-3	29,6	0,85	11	12,2	16,7	7	25	50	400
60-80	0301456-1	29,6	0,85	11	12,2	16,7	7	20	50	50
70-90	0301457-0	29,6	0,85	11	12,2	16,7	7	17	50	50
80-100	0301458-8	29,6	0,85	11	12,2	16,7	7	14	25	200
90-110	0301459-6	29,6	0,85	11	12,2	16,7	7	12	25	200
100-120	0301460-9	29,6	0,85	11	12,2	16,7	7	10	25	200
110-130	0301461-7	29,6	0,85	11	12,2	16,7	7	8	25	25
120-140	0301462-5	29,6	0,85	11	12,2	16,7	7	7	25	25
130-150	0301463-3	31,6	0,85	11	12,2	16,7	7	6	25	25
140-160	0301464-1	31,6	0,85	11	12,2	16,7	7	5	25	25
150-170	0301465-0	31,6	0,85	11	12,2	16,7	7	4	25	25
160-180	0301466-8	31,6	0,85	11	12,2	16,7	7	3	25	25
170-190	0301467-6	31,6	0,85	11	12,2	16,7	7	2	10	10
180-200	0301468-4	31,6	0,85	11	12,2	16,7	7	2	10	10
190-210	0301469-2	31,6	0,85	11	12,2	16,7	7	1,8	10	10
200-220	0301470-5	31,6	0,85	11	12,2	16,7	7	1,8	10	10
210-230	0301471-3	31,6	0,85	11	12,2	16,7	7	1,6	10	10
220-240	0301472-1	31,6	0,85	11	12,2	16,7	7	1,6	10	10

** It is recommended to apply 75% of the maximum values contained in the table.*

TECHNICAL INFORMATION	
MATERIAL	BAND AND HOUSING: STAINLESS STEEL X5CrNi1810 (AISI-304) SCREW: STAINLESS STEEL (AISI-304)
FINISH	STAINLESS STEEL
CORROSION RESISTANCE	400 HOURS SALT SPRAY (ASTM B-117)
MAXIMUM TIGHTENING SPEED (RPM)	540 ±5



ASFA S (12 mm) Hose Clamp AISI 316 Stainless Steel - W5



W5

This clamp represents the latest stage in the evolution of the ASFA 12mm range. One of the main developments in this version is the lateral displacement of the band thread, which reduces the tendency of the band end to exit the housing off-centre when tightened.

Thanks to the combination of the housing, locking system and the location of the screw within the housing, this clamp offers superior performance at the same torque ratings.

This clamp is especially indicated for use in the pulp and paper, maritime and foodstuffs industries.

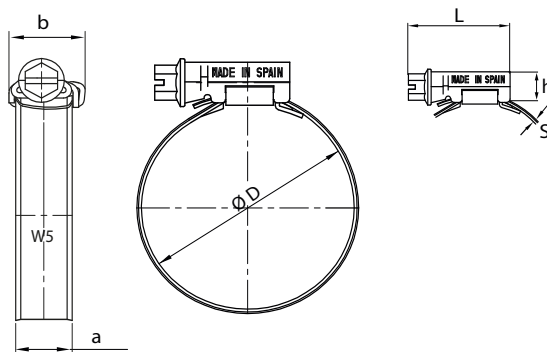
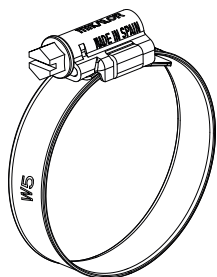
DIN 3017. The ASFA SW5 hose clip complies fully with the DIN 3017 norm and also with the directive EU 2002/95/EC.

** The maximum application pressure can vary depending on the type of hose used and the geometry of the coupling.*

Application Ø										
mm	Part nº	L max.	S +0,10	h max.	a +0,3 a-0,1	b max.	Maximum values		Box Quantity (MOQ)	Outer Packing
							Torque (Nm)	Pressure (Bars)		
16-27	0301772-0	29,6	0,85	11	12,2	16,7	4,5	40	50	400
20-32	0301750-0	29,6	0,85	11	12,2	16,7	5,5	40	50	400
25-40	0301751-9	29,6	0,85	11	12,2	16,7	5,5	40	50	400
30-45	0301773-8	29,6	0,85	11	12,2	16,7	5,5	35	50	400
32-50	0301752-7	29,6	0,85	11	12,2	16,7	6,5	35	50	200
40-60	0301753-5	29,6	0,85	11	12,2	16,7	6,5	30	50	400
50-70	0301754-3	29,6	0,85	11	12,2	16,7	7	25	50	400
60-80	0301755-1	29,6	0,85	11	12,2	16,7	7	20	50	50
70-90	0301756-0	29,6	0,85	11	12,2	16,7	7	17	50	50
80-100	0301757-8	29,6	0,85	11	12,2	16,7	7	14	25	200
90-110	0301758-6	29,6	0,85	11	12,2	16,7	7	12	25	200
100-120	0301759-4	29,6	0,85	11	12,2	16,7	7	10	25	200
110-130	0301760-7	29,6	0,85	11	12,2	16,7	7	8	25	25
120-140	0301761-5	29,6	0,85	11	12,2	16,7	7	7	25	25
130-150	0301762-3	31,6	0,85	11	12,2	16,7	7	6	25	25
140-160	0301763-1	31,6	0,85	11	12,2	16,7	7	5	25	25
150-170	0301764-0	31,6	0,85	11	12,2	16,7	7	4	25	25
160-180	0301765-8	31,6	0,85	11	12,2	16,7	7	3	25	25
170-190	0301766-6	31,6	0,85	11	12,2	16,7	7	2	10	10
180-200	0301767-4	31,6	0,85	11	12,2	16,7	7	2	10	10
190-210	0301768-2	31,6	0,85	11	12,2	16,7	7	1,8	10	10
200-220	0301769-0	31,6	0,85	11	12,2	16,7	7	1,8	10	10
210-230	0301770-3	31,6	0,85	11	12,2	16,7	7	1,6	10	10
220-240	0301771-1	31,6	0,85	11	12,2	16,7	7	1,6	10	10

* It is recommended to apply 75% of the maximum values contained in the table.

TECHNICAL INFORMATION	
MATERIAL	STAINLESS STEEL AISI-316
FINISH	STAINLESS STEEL
CORROSION RESISTANCE	1000 HOURS SALT SPRAY (ASTM B-117)
MAXIMUM TIGHTENING SPEED (RPM)	540 ±5



ASFA S (12 mm) Hose Clamp AISI 430 Stainless Steel -W3 – Black



W3

This clamp is manufactured in AISI 430 with an additional matt-black surface treatment which increases its corrosion resistance.

Thanks to the surface treatment this clamp can be mounted discreetly in any application, making it a favourite in automotive or motorcycle applications.

The geometry, band, stamping, housing and screw are identical to other ASFA clamps, meaning that the performance is not altered in any way.

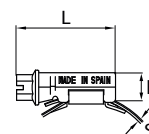
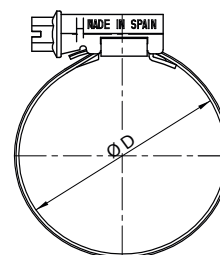
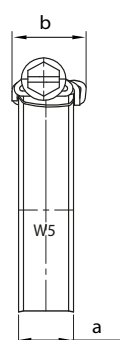
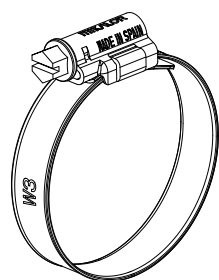
DIN 3017. The Black ASFA SW3 hose clip complies fully with the DIN 3017 norm and also with the directive EU 2002/95/EC.

** The maximum application pressure can vary depending on the type of hose used and the geometry of the coupling.*

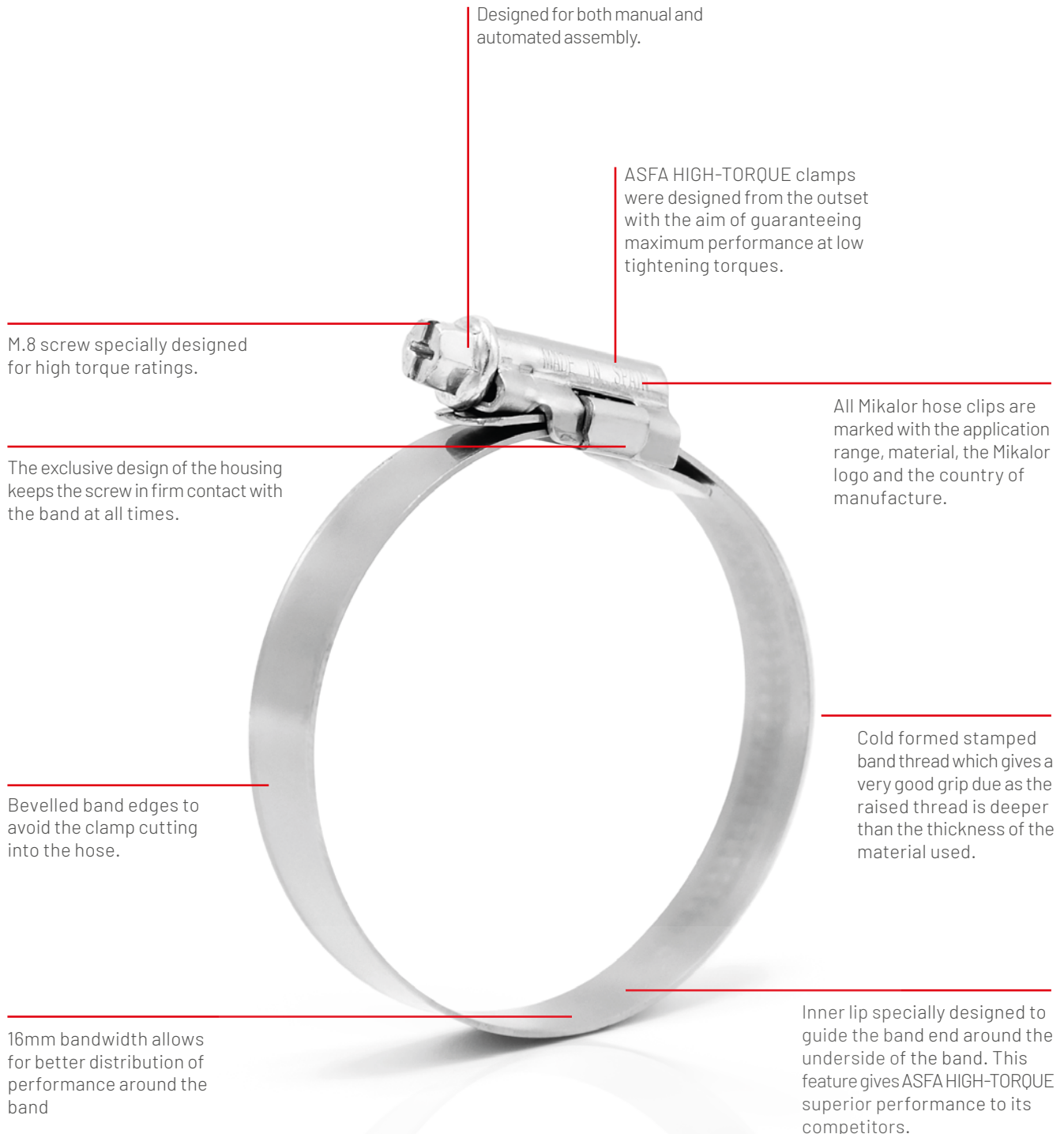
Application Ø										
mm	Part nº	L max.	S +0,10	h max.	a +0,3 a -0,1	b max.	Maximum values		Box Quantity (MOQ)	Outer Packing
							Torque (Nm)	Pressure(Bars)		
16-27	7301620-6	29,6	0,85	11	12,2	16,7	4,5	40	50	400
20-32	7301621-4	29,6	0,85	11	12,2	16,7	5,5	40	50	400
25-40	7301622-2	29,6	0,85	11	12,2	16,7	5,5	40	50	400
30-45	7301623-0	29,6	0,85	11	12,2	16,7	5,5	35	50	400
32-50	7301624-9	29,6	0,85	11	12,2	16,7	6,5	35	50	200
40-60	7301625-7	29,6	0,85	11	12,2	16,7	6,5	30	50	400
50-70	7301626-5	29,6	0,85	11	12,2	16,7	7	25	50	400
60-80	7301627-3	29,6	0,85	11	12,2	16,7	7	20	50	50
70-90	7301628-1	29,6	0,85	11	12,2	16,7	7	17	50	50
80-100	7301629-0	29,6	0,85	11	12,2	16,7	7	14	25	200
90-110	7301630-2	29,6	0,85	11	12,2	16,7	7	12	25	200
100-120	7301631-0	29,6	0,85	11	12,2	16,7	7	10	25	200
110-130	7301632-9	29,6	0,85	11	12,2	16,7	7	8	25	25
120-140	7301633-7	29,6	0,85	11	12,2	16,7	7	7	25	25
130-150	7301634-5	31,6	0,85	11	12,2	16,7	7	6	25	25
140-160	7301635-3	31,6	0,85	11	12,2	16,7	7	5	25	25
150-170	7301636-1	31,6	0,85	11	12,2	16,7	7	4	25	25
160-180	7301637-9	31,6	0,85	11	12,2	16,7	7	3	25	25
170-190	7301638-7	31,6	0,85	11	12,2	16,7	7	2	10	10
180-200	7301639-6	31,6	0,85	11	12,2	16,7	7	2	10	10

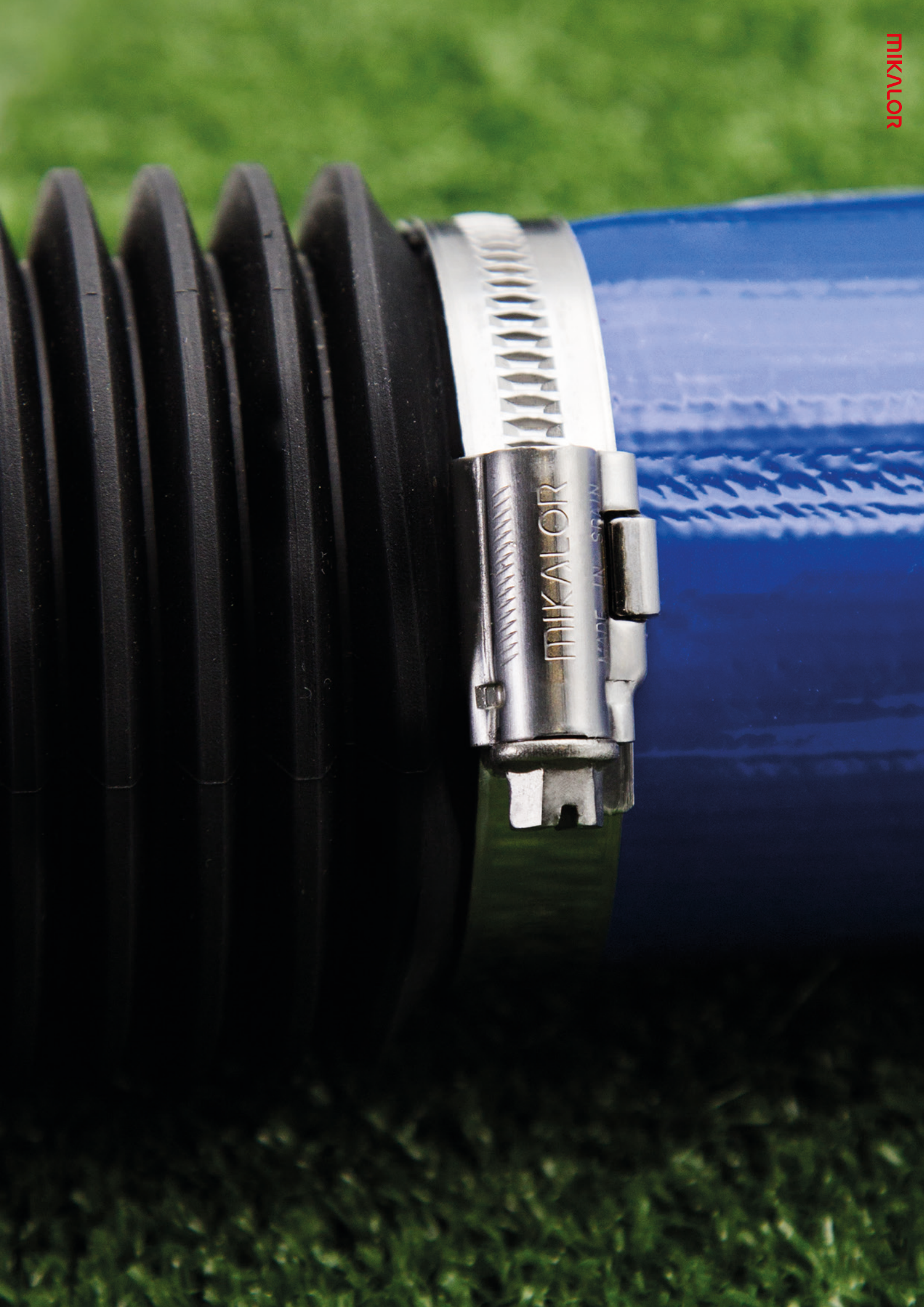
** It is recommended to apply 75% of the maximum values contained in the table.*

TECHNICAL INFORMATION	
MATERIAL	BAND AND HOUSING: STAINLESS STEEL X6Cr17(AISI-430) SCREW: STAINLESS STEEL (AISI-430)
FINISH	DELTA SEAL BLACK
CORROSION RESISTANCE	250 HOURS SALT SPRAY (ASTM B-117)
MAXIMUM TIGHTENING SPEED (RPM)	540 ±5



ASFA HIGH-TORQUE Hose Clamp





ASFA High-Torque (16 mm) Hose Clamp AISI 430 Stainless Steel - W3



W3

Mikalor High-Torque Clamps were designed to guarantee maximum performance in the most demanding applications. Thanks to the use of an M8 screw and the choice of 16mm bandwidth, torque values can be applied which are far higher than those used with the standard ASFA range, thereby ensuring perfect performance in high-pressure applications.

The High-Torque clamp is particularly popular in industrial and automotive applications due to its outstanding performance. The perfectly rounded beveled band edges avoid the clamp cutting into or damaging the hose.

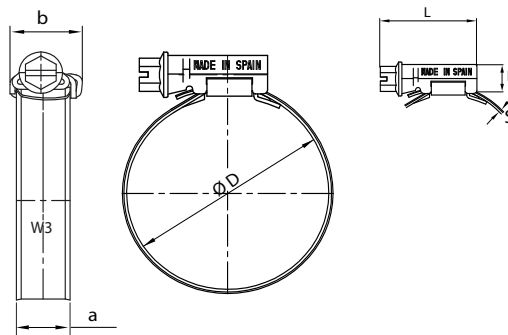
** The maximum application pressure can vary depending on the type of hose used and the geometry of the coupling.*

Application Ø										
mm	a	Part nº W3	L max.	S +0,10	h max.	a +0,2	b max.	Maximum values		Box Quantity (M00)
								Torque (Nm)	Pressure (Bars)	
25-45	HT (16mm)	0306600-1	39,5	0,95	13	16,0	21,0	12	55	50
32-54	HT (16mm)	0306600-2	39,5	0,95	13	16,0	21,0	12	50	50
45-67	HT (16mm)	0306600-3	39,5	0,95	13	16,0	21,0	12	45	50
57-79	HT (16mm)	0306600-4	39,5	0,95	13	16,0	21,0	12	40	50
70-92	HT (16mm)	0306600-5	39,5	0,95	13	16,0	21,0	12	30	50
83-105	HT (16mm)	0306600-6	39,5	0,95	13	16,0	21,0	12	20	25
95-118	HT (16mm)	0306600-7	39,5	0,95	13	16,0	21,0	12	17	25
108-130	HT (16mm)	0306600-8	39,5	0,95	13	16,0	21,0	12	14	25
121-143	HT (16mm)	0306600-9	39,5	0,95	13	16,0	21,0	12	11	25
133-156	HT (16mm)	0306601-0	39,5	0,95	13	16,0	21,0	12	8	25
146-168	HT (16mm)	0306601-1	39,5	0,95	13	16,0	21,0	12	6	25
159-181	HT (16mm)	0306601-2	39,5	0,95	13	16,0	21,0	12	5	25
172-194	HT (16mm)	0306601-3	39,5	0,95	13	16,0	21,0	12	4	25
184-206	HT (16mm)	0306601-4	39,5	0,95	13	16,0	21,0	12	3	25

** It is recommended to apply 75% of the maximum values contained in the table.*

** Product available from September 2020.*

TECHNICAL INFORMATION	
MATERIAL	BAND AND HOUSING: STAINLESS STEEL X6Cr17 (AISI-430) SCREW: STAINLESS STEEL (AISI-304 CU)
FINISH	STAINLESS STEEL
CORROSION RESISTANCE	200 HOURS SALT SPRAY (ASTMB-117)
MAXIMUM TIGHTENING SPEED (RPM)	540 ±5



ASFA High-Torque (16 mm) Hose Clamp AISI 304 Stainless Steel - W4



W4

Mikalor High-Torque Clamps were designed to guarantee maximum performance in the most demanding applications. Thanks to the use of an M8 screw and the choice of 16mm bandwidth, torque values can be applied which are far higher than those used with the standard ASFA range, thereby ensuring perfect performance in high-pressure applications.

The High-Torque clamp is particularly popular in industrial and automotive applications due to its outstanding performance. This clamp is manufactured entirely from AISI 304 Stainless Steel and is especially indicated for use in corrosive environments and in the foodstuffs industry.

** The maximum application pressure can vary depending on the type of hose used and the geometry of the coupling.*

Application Ø										
mm	a	Part nº W4	L max.	S +0,10	h max.	a +0,2	b max.	Maximum values		Box Quantity (MOQ)
								Torque (Nm)	Pressure (Bars)	
25-45	HT (16mm)	0306700-1	39,5	0,95	13	16,0	21,0	12	55	50
32-54	HT (16mm)	0306700-2	39,5	0,95	13	16,0	21,0	12	50	50
45-67	HT (16mm)	0306700-3	39,5	0,95	13	16,0	21,0	12	45	50
57-79	HT (16mm)	0306700-4	39,5	0,95	13	16,0	21,0	12	40	50
70-92	HT (16mm)	0306700-5	39,5	0,95	13	16,0	21,0	12	30	50
83-105	HT (16mm)	0306700-6	39,5	0,95	13	16,0	21,0	12	20	25
95-118	HT (16mm)	0306700-7	39,5	0,95	13	16,0	21,0	12	17	25
108-130	HT (16mm)	0306700-8	39,5	0,95	13	16,0	21,0	12	14	25
121-143	HT (16mm)	0306700-9	39,5	0,95	13	16,0	21,0	12	11	25
133-156	HT (16mm)	0306701-0	39,5	0,95	13	16,0	21,0	12	8	25
146-168	HT (16mm)	0306701-1	39,5	0,95	13	16,0	21,0	12	6	25
159-181	HT (16mm)	0306701-2	39,5	0,95	13	16,0	21,0	12	5	25
172-194	HT (16mm)	0306701-3	39,5	0,95	13	16,0	21,0	12	4	25
184-206	HT (16mm)	0306701-4	39,5	0,95	13	16,0	21,0	12	3	25

** It is recommended to apply 75% of the maximum values contained in the table.*

** Product available from September 2020.*

TECHNICAL INFORMATION	
MATERIAL	BAND AND HOUSING: STAINLESS STEEL X6Cr17 (AISI-430) SCREW: STAINLESS STEEL (AISI-430)
FINISH	STAINLESS STEEL
CORROSION RESISTANCE	400 HOURS SALT SPRAY (ASTM B-117)
MAXIMUM TIGHTENING SPEED (RPM)	540 ±5

Hose Clamps

High-pressure

All great projects have three factors in common: Technology, Quality and Functionality.

Mikalor has combined these three elements to manufacture a clamp which has been updated several times since it was first launched, and which has been an undisputed benchmark in the market for more than 30 years. The Mikalor Heavy-Duty range is a demonstration of our commitment to continuous improvement in order to continue manufacturing the world's greatest Heavy-Duty clamp.







W1

SUPER W1 Heavy-duty Clamp

Mikalor was the first company to design and produce a heavy-duty hose clamp, capable of ensuring leaktightness in high-pressure applications.

The high strength 8.8 grade steel nut and T-bolt mean that Super can be tightened up hard using many kinds of tools, while the bevelled edges protect the hose from harm.

The Super clamp is in its element in agricultural applications, waste-water extraction, mining, quarrying or in other sectors where a rugged yet competitively priced heavy-duty clamp is required.

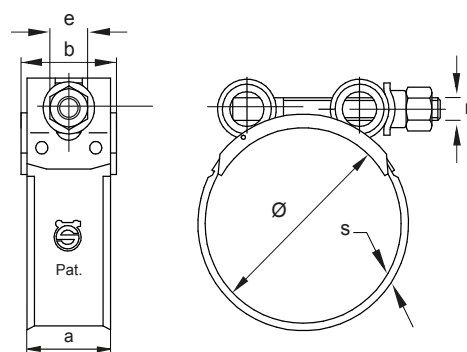
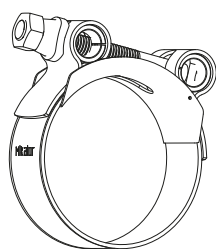
** The maximum application pressure can vary depending on the type of hose used and the geometry of the coupling.*

Application Ø										
d mm	Part n°	r	e	a	b	s	Maximum values		Box Quantity (MOQ)	Outer Packing
							Torque (Nm)	Pressure (Bars)		
17-19	0301826-3	M5	8	18 ⁺⁰²	19,8	0,6	4,5	48	50	400
20-22	0301827-1	M5	8	18 ⁺⁰²	19,8	0,6	4,5	48	50	400
23-25	0301828-0	M5	8	18 ⁺⁰²	19,8	0,6	4,5	45	50	400
26-28	0301829-8	M5	8	18 ⁺⁰²	19,8	0,6	4,5	45	50	400
29-31	0301830-0	M6	10	20 ⁺⁰³	22	0,8	8	42	50	50
32-35	0301831-9	M6	10	20 ⁺⁰³	22	0,8	8	42	50	50
36-39	0301832-7	M6	10	20 ⁺⁰³	22	0,8	8	40	50	50
40-43	0301833-5	M6	10	20 ⁺⁰³	22	0,8	8	40	50	50
44-47	0301801-0	M7	11	22 ⁺⁰²	24,5	1,2	16	44	50	50
48-51	0301802-8	M7	11	22 ⁺⁰²	24,5	1,2	16	44	50	50
52-55	0301803-6	M7	11	22 ⁺⁰²	24,5	1,2	16	40	25	25
56-59	0301804-4	M7	11	22 ⁺⁰²	24,5	1,2	16	40	25	25
60-63	0301805-2	M7	11	22 ⁺⁰²	24,5	1,2	16	36	25	25
64-67	0301806-0	M7	11	22 ⁺⁰²	24,5	1,2	16	36	25	25
68-73	0301807-9	M8	13	24 ⁺⁰⁴	26,5	1,5	25	28	25	25
74-79	0301808-7	M8	13	24 ⁺⁰⁴	26,5	1,5	25	28	25	25
80-85	0301809-5	M8	13	24 ⁺⁰⁴	26,5	1,5	25	28	25	25

Application Ø										
d mm	Part n°	r	e	a	b	s	Maximum values		Box Quantity (MOQ)	Outer Packing
							Torque (Nm)	Pressure (Bars)		
86-91	0301810-8	M8	13	24 ⁺⁰⁴	26,5	1,5	25	20	25	25
92-97	0301811-6	M8	13	24 ⁺⁰⁴	26,5	1,5	25	20	25	25
98-103	0301812-4	M8	13	24 ⁺⁰⁴	26,5	1,5	25	20	25	25
104-112	0301813-2	M8	13	24 ⁺⁰⁴	26,5	1,5	25	12	25	25
113-121	0301814-0	M8	13	24 ⁺⁰⁴	26,5	1,5	25	12	25	25
122-130	0301815-9	M8	13	24 ⁺⁰⁴	26,5	1,5	25	12	25	25
131-139	0301816-7	M10	17	26 ⁺⁰⁵	29	1,7	50	9	10	10
140-148	0301817-5	M10	17	26 ⁺⁰⁵	29	1,7	50	9	10	10
149-161	0301818-3	M10	17	26 ⁺⁰⁵	29	1,7	50	9	10	10
162-174	0301819-1	M10	17	26 ⁺⁰⁵	29	1,7	50	6	10	10
175-187	0301820-4	M10	17	26 ⁺⁰⁵	29	1,7	50	6	10	10
188-200	0301821-2	M10	17	26 ⁺⁰⁵	29	1,7	50	6	10	10
201-213	0301822-0	M10	17	26 ⁺⁰⁵	29	1,7	50	3	10	10
214-226	0301823-9	M10	17	26 ⁺⁰⁵	29	1,7	50	3	10	10
227-239	0301824-7	M10	17	26 ⁺⁰⁵	29	1,7	50	3	10	10
240-252	0301825-5	M10	17	26 ⁺⁰⁵	29	1,7	50	3	10	10

* It is recommended to apply 75% of the maximum values contained in the table.

TECHNICAL INFORMATION	
MATERIAL	BAND: MILD STEEL (F111) SCREW: STEEL 0st 36-3 (DIN 1.0213) TRUNNIONS: STEEL (DIN 1.0333)
FINISH	SILVER-WHITE Cr3 ZINC-PLATED
CORROSION RESISTANCE	72 HOURS SALT SPRAY (ASTM B-117)



The SUPRA range



Manual and automated assembly are both possible.

High-strength bolt, designed and manufactured by Mikalor specifically for the Supra range in 8.8 strength steel.

Revolutionary design which prevents nuts and trunnions from becoming dislodged.

Three or four spot-welds with protuberances guarantee an excellent response when high torque ratings are applied.

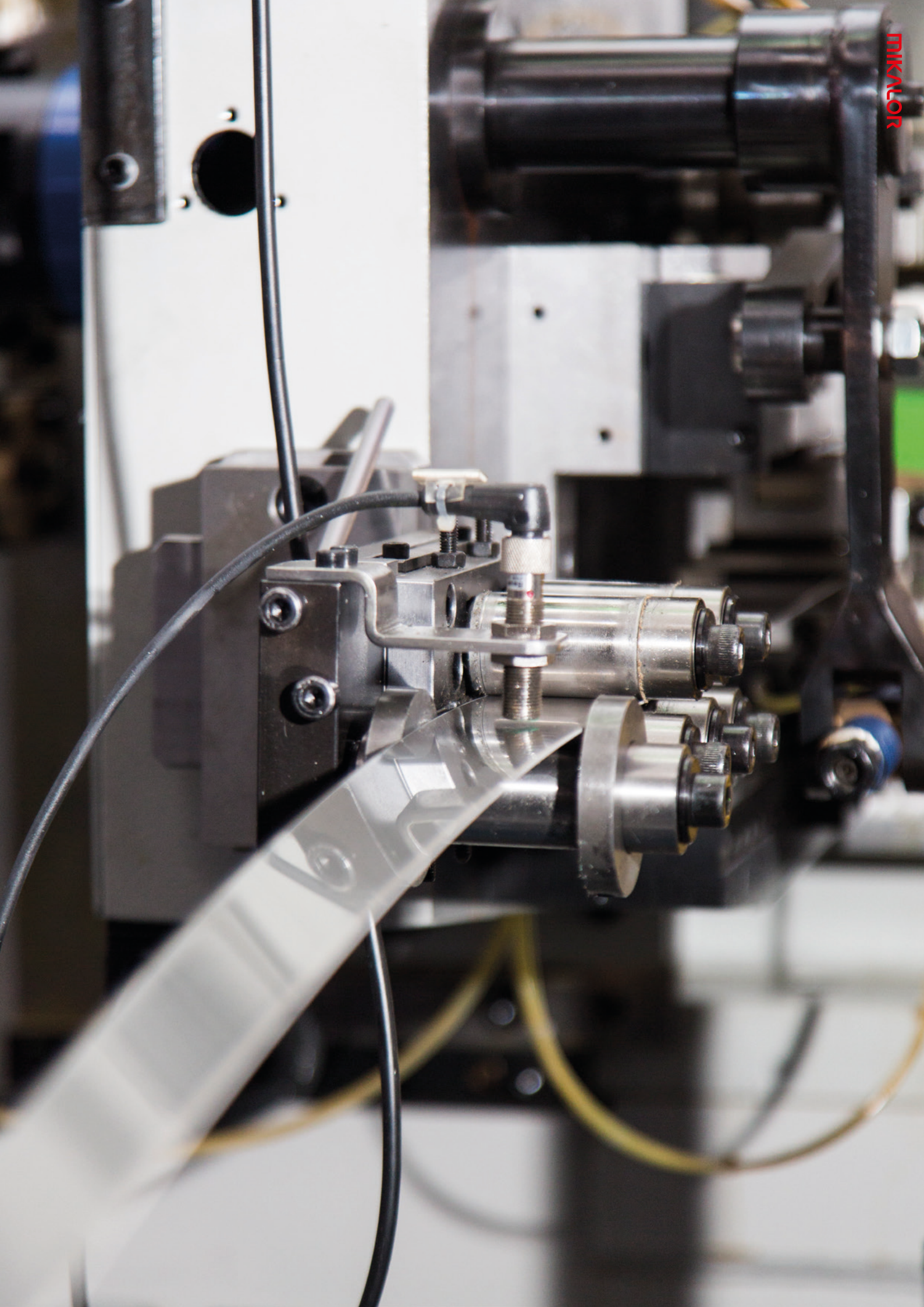
The swivelling bridge allows Supra Clamps to be opened up completely and helps to avoid deformation of the clamp during assembly.

All Supra Clamps are marked with the application range, material and the Mikalor logo.

Compliant with the DIN 3017-3 norm and with the directive EU 2002/95/EC.



Bevelled band edges to avoid damage to the hose or tube.





W2

SUPRA W2 Hose Clamp AISI 430 Stainless Steel

Due to its revolutionary swivelling bridge, Supra W2 can be mounted in the most awkward applications without having to remove the hose. It can be opened and fastened again when in place without dislodging any other parts of the clamp, making assembly much easier.

The high-strength bolt designed and manufactured by Mikalor specifically for this clamp, together with the captive nut and spacer system allow you to clamp the most demanding of hose assemblies. This is the clamp of choice for professionals in the industrial hose, automotive and agricultural machinery sectors as well as in all industrial applications where an outstanding and above all reliable heavy-duty clamp is required. The Supra W2 clamp complies fully with the directive EU 20032/95/EC.

** Special dimensions can be manufactured on request.*

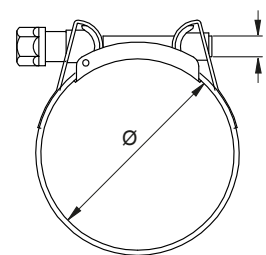
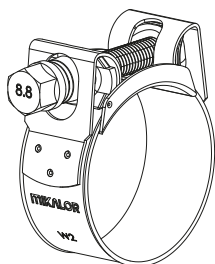
** The maximum application pressure can vary depending on the type of hose used and the geometry of the coupling.*

Application Ø									
mm	Part n°	r	e	a	b	Maximum values		Box Quantity (MOQ)	Outer Packing
						Torque (Nm)	Pressure(Bars)		
17-19	0301901-2	M6	8	18 ⁺⁰²	19,8	10	45	50	400
19-21	0301902-0	M6	8	18 ⁺⁰²	19,8	10	45	50	400
21-23	0301903-9	M6	8	18 ⁺⁰²	19,8	10	45	50	400
23-25	0301904-7	M6	8	18 ⁺⁰²	19,8	10	45	50	400
25-27	0301905-5	M6	8	18 ⁺⁰²	19,8	10	45	50	400
27-29	0301906-3	M6	8	18 ⁺⁰²	19,8	10	45	50	200
29-31	0301907-1	M7	10	20 ⁺⁰³	22	13	40	50	50
31-34	0301908-0	M7	10	20 ⁺⁰³	22	13	40	50	50
34-37	0301909-8	M7	10	20 ⁺⁰³	22	13	40	50	50
37-40	0301910-0	M7	10	20 ⁺⁰³	22	13	40	50	50
40-43	0301911-9	M7	10	20 ⁺⁰³	22	13	40	50	50
43-47	0301912-7	M7	10	20 ⁺⁰³	22	16	36	50	50
47-51	0301913-5	M7	10	20 ⁺⁰³	22	16	36	50	50
51-55	0301914-3	M7	10	20 ⁺⁰³	22	16	36	25	25
55-59	0301915-1	M7	10	20 ⁺⁰³	22	16	36	25	25
59-63	0301916-0	M7	10	20 ⁺⁰³	22	16	36	25	25
63-68	0301917-8	M7	10	20 ⁺⁰³	22	16	36	25	25
68-73	0301918-6	M8	13	25 ⁺⁰⁴	27,5	30	28	25	25
73-79	0301919-4	M8	13	25 ⁺⁰⁴	27,5	30	28	25	25
79-85	0301920-7	M8	13	25 ⁺⁰⁴	27,5	30	28	25	25
85-91	0301921-5	M8	13	25 ⁺⁰⁴	27,5	30	20	25	25
91-97	0301922-3	M8	13	25 ⁺⁰⁴	27,5	30	20	25	25
97-104	0301923-1	M8	13	25 ⁺⁰⁴	27,5	30	20	25	25
104-112	0301924-0	M8	13	25 ⁺⁰⁴	27,5	30	12	25	25

Application Ø									
mm	Part nº	r	e	a	b	Maximum values		Box Quantity (MOQ)	Outer Packing
						Torque (Nm)	Pressure (Bars)		
112-121	0301925-8	M8	13	25 ⁺⁰⁴	27,5	30	12	25	25
121-130	0301926-6	M8	13	25 ⁺⁰⁴	27,5	30	12	25	25
130-140	0301927-4	M10	15	28 ⁺⁰⁴	31	45	9	10	10
140-150	0301928-2	M10	15	28 ⁺⁰⁴	31	45	9	10	10
150-162	0301929-0	M10	15	28 ⁺⁰⁴	31	45	9	10	10
162-174	0301930-3	M10	15	28 ⁺⁰⁴	31	45	6	10	10
174-187	0301931-1	M10	15	28 ⁺⁰⁴	31	45	6	10	10
187-200	0301932-0	M10	15	28 ⁺⁰⁴	31	45	6	10	10
200-213	0301933-8	M10	15	28 ⁺⁰⁴	31	45	3	10	10
213-226	0301934-6	M10	15	28 ⁺⁰⁴	31	45	3	10	10
226-239	0301935-4	M10	15	28 ⁺⁰⁴	31	45	3	10	10
239-252	0301936-2	M10	15	28 ⁺⁰⁴	31	45	3	10	10
252-265	0301937-0	M10	15	28 ⁺⁰⁴	31	45	3	10	10
265-278	0301947-7	M10	15	28 ⁺⁰⁴	31	45	3	10	10
278-291	0301939-2	M10	15	28 ⁺⁰⁴	31	45	3	10	10
291-304	0301940-3	M10	15	28 ⁺⁰⁴	31	45	3	10	10
304-317	0301941-1	M10	15	28 ⁺⁰⁴	31	45	3	10	10
317-330	0301948-5	M10	15	28 ⁺⁰⁴	31	45	3	10	10
330-343	0301942-2	M10	15	28 ⁺⁰⁴	31	45	3	10	10
343-356	0301943-3	M10	15	28 ⁺⁰⁴	31	45	3	10	10
356-369	0301944-4	M10	15	28 ⁺⁰⁴	31	45	3	10	10
369-382	0301945-5	M10	15	28 ⁺⁰⁴	31	45	3	10	10
382-395	0301949-9	M10	15	28 ⁺⁰⁴	31	45	3	10	10
395-408	0301950-0	M10	15	28 ⁺⁰⁴	31	45	3	10	10

* It is recommended to apply 75% of the maximum values contained in the table.

TECHNICAL INFORMATION	
MATERIAL	BAND AND BRIDGE: STAINLESS STEEL X6CR17 AISI-430 SCREW: STEEL Øst 34-3 (DIN 1.0213) 8.8 grade steel
FINISH	STAINLESS STEEL
CORROSION RESISTANCE	72 HOURS SALT SPRAY (ASTM B-117)
MAXIMUM TIGHTENING SPEED (RPM)	540 ±5





W4

SUPRA W4 Hose Clamp AISI 304 Stainless Steel

Due to its revolutionary swiveling bridge, Supra W4 can be mounted in the most awkward applications without having to remove the hose. It can be opened and fastened again when in place without dislodging any other parts of the clamp, making assembly much easier.

The high-strength bolt designed and manufactured by Mikalor specifically for this clamp, together with the captive nut and spacer system allow you to clamp the most demanding of hose assemblies. This top of the range heavy-duty clamp is ideal for marine applications and the foodstuffs industry, as well as for countless industrial applications where AISI 304 stainless steel is specified. The Supra W4 clamp complies fully with the Directive EU 20032/95/EC.

** Special dimensions can be manufactured on request.*

** The maximum application pressure can vary depending on the type of hose used and the geometry of the coupling.*

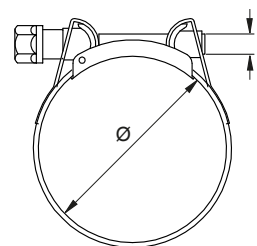
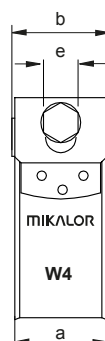
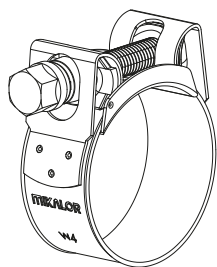
Application Ø									
mm	Part n°	r	e	a	b	Maximum values		Box Quantity (MOQ)	Outer Packing
						Torque (Nm)	Pressure (Bars)		
17-19	0301301-6	M6	8	18 ⁺⁰²	19,8	10	40	50	400
19-21	0301302-4	M6	8	18 ⁺⁰²	19,8	10	40	50	400
21-23	0301303-2	M6	8	18 ⁺⁰²	19,8	10	40	50	400
23-25	0301304-0	M6	8	18 ⁺⁰²	19,8	10	40	50	400
25-27	0301305-9	M6	8	18 ⁺⁰²	19,8	10	40	50	400
27-29	0301306-7	M6	8	18 ⁺⁰²	19,8	10	40	50	200
29-31	0301307-5	M7	10	20 ⁺⁰³	22	12	35	50	50
31-34	0301308-3	M7	10	20 ⁺⁰³	22	12	35	50	50
34-37	0301309-1	M7	10	20 ⁺⁰³	22	12	35	50	50
37-40	0301310-4	M7	10	20 ⁺⁰³	22	12	35	50	50
40-43	0301311-2	M7	10	20 ⁺⁰³	22	12	35	50	50
43-47	0301312-0	M7	10	20 ⁺⁰³	22	12	35	50	50
47-51	0301313-9	M7	10	20 ⁺⁰³	22	16	30	50	50
51-55	0301314-7	M7	10	20 ⁺⁰³	22	16	30	25	25
55-59	0301315-5	M7	10	20 ⁺⁰³	22	16	30	25	25
59-63	0301316-3	M7	10	20 ⁺⁰³	22	16	30	25	25
63-68	0301317-1	M7	10	20 ⁺⁰³	22	16	30	25	25
68-73	0301318-0	M8	13	25 ⁺⁰⁴	27,5	30	20	25	25
73-79	0301319-8	M8	13	25 ⁺⁰⁴	27,5	30	20	25	25
79-85	0301320-0	M8	13	25 ⁺⁰⁴	27,5	30	20	25	25
85-91	0301321-9	M8	13	25 ⁺⁰⁴	27,5	30	15	25	25
91-97	0301322-7	M8	13	25 ⁺⁰⁴	27,5	30	15	25	25
97-104	0301323-5	M8	13	25 ⁺⁰⁴	27,5	30	15	25	25
104-112	0301324-3	M8	13	25 ⁺⁰⁴	27,5	30	10	25	25

Application Ø									
mm	Part n°	r	e	a	b	Maximum values		Box Quantity (MOQ)	Outer Packing
						Torque (Nm)	Pressure (Bars)		
112-121	0301325-1	M8	13	25 ⁺⁰⁴	27,5	30	10	25	25
121-130	0301326-0	M8	13	25 ⁺⁰⁴	27,5	30	10	25	25
130-140	0301327-8	M10	17	28 ⁺⁰⁴	31	45	6	10	10
140-150	0301328-6	M10	17	28 ⁺⁰⁴	31	45	6	10	10
150-162	0301329-4	M10	17	28 ⁺⁰⁴	31	45	6	10	10
162-174	0301330-7	M10	17	28 ⁺⁰⁴	31	45	3	10	10
174-187	0301331-5	M10	17	28 ⁺⁰⁴	31	45	3	10	10
187-200	0301332-3	M10	17	28 ⁺⁰⁴	31	45	3	10	10
200-213	0301333-1	M10	17	28 ⁺⁰⁴	31	45	3	10	10
213-226	0301334-0	M10	17	28 ⁺⁰⁴	31	45	3	10	10
226-239	0301335-8	M10	17	28 ⁺⁰⁴	31	45	3	10	10
239-252	0301336-6	M10	17	28 ⁺⁰⁴	31	45	3	10	10
252-265	0301337-4	M10	17	28 ⁺⁰⁴	31	45	3	10	10
265-278	0301339-0	M10	17	28 ⁺⁰⁴	31	45	3	10	10
278-291	0301342-2	M10	17	28 ⁺⁰⁴	31	45	3	10	10
291-304	0301343-3	M10	17	28 ⁺⁰⁴	31	45	3	10	10
304-317	0301344-4	M10	17	28 ⁺⁰⁴	31	45	3	10	10
317-330	0301340-3	M10	17	28 ⁺⁰⁴	31	45	3	10	10
330-343	0301345-5	M10	17	28 ⁺⁰⁴	31	45	3	10	10
343-356	0301346-6	M10	17	28 ⁺⁰⁴	31	45	3	10	10
356-369	0301347-7	M10	17	28 ⁺⁰⁴	31	45	3	10	10
369-382	0301348-8	M10	17	28 ⁺⁰⁴	31	45	3	10	10
382-395	0301349-9	M10	17	28 ⁺⁰⁴	31	45	3	10	10
395-408	0301350-0	M10	17	28 ⁺⁰⁴	31	45	3	10	10

* It is recommended to apply 75% of the maximum values contained in the table.

* Special dimensions can be manufactured on request.

TECHNICAL INFORMATION	
MATERIAL	BAND AND BRIDGE: STAINLESS STEEL X5CrNi18010 AISI-304 SCREW: STAINLESS STEEL AISI-304
FINISH	STAINLESS STEEL
CORROSION RESISTANCE	400 HOURS SALT SPRAY (ASTM B-117)
MAXIMUM TIGHTENING SPEED (RPM)	540 ±5





W5

SUPRA W5 Hose Clamp AISI 316 Stainless Steel

Due to its revolutionary swiveling bridge, Supra W5 can be mounted in the most awkward applications without having to remove the hose. It can be opened and fastened again when in place without dislodging any other parts of the clamp, making assembly much easier.

The high-strength bolt designed and manufactured by Mikalor specifically for this clamp, together with the captive nut and spacer system allow you to clamp the most demanding of hose assemblies. This top of the range heavy-duty clamp is ideal for marine applications, foodstuff manufacture, pharmaceutical and petrochemical industries and other applications where AISI 316 stainless steel fittings are required. The Supra W5 clamp complies fully with the Directive EU 20032/95/EC.

** Special dimensions can be manufactured on request.*

** The maximum application pressure can vary depending on the type of hose used and the geometry of the coupling.*

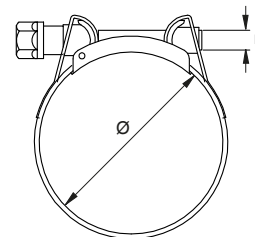
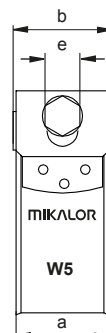
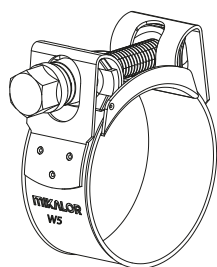
Application Ø									
mm	Part n°	r	e	a	b	Maximum values		Box Quantity (MOQ)	Outer Packing
						Torque (Nm)	Pressure (Bars)		
17-19	0301361-4	M6	8	18 ⁺⁰²	19,8	10	40	50	400
19-21	0301362-2	M6	8	18 ⁺⁰²	19,8	10	40	50	400
21-23	0301363-0	M6	8	18 ⁺⁰²	19,8	10	40	50	400
23-25	0301364-9	M6	8	18 ⁺⁰²	19,8	10	40	50	400
25-27	0301365-7	M6	8	18 ⁺⁰²	19,8	10	40	50	400
27-29	0301366-5	M6	8	18 ⁺⁰²	19,8	10	40	50	200
29-31	0301367-3	M7	10	20 ⁺⁰³	22	12	35	50	50
31-34	0301368-1	M7	10	20 ⁺⁰³	22	12	35	50	50
34-37	0301369-0	M7	10	20 ⁺⁰³	22	12	35	50	50
37-40	0301370-2	M7	10	20 ⁺⁰³	22	12	35	50	50
40-43	0301371-0	M7	10	20 ⁺⁰³	22	12	35	50	50
43-47	0301372-9	M7	10	20 ⁺⁰³	22	12	35	50	50
47-51	0301373-7	M7	10	20 ⁺⁰³	22	16	30	50	50
51-55	0301374-5	M7	10	20 ⁺⁰³	22	16	30	25	25
55-59	0301375-3	M7	10	20 ⁺⁰³	22	16	30	25	25
59-63	0301376-1	M7	10	20 ⁺⁰³	22	16	30	25	25
63-68	0301377-0	M7	10	20 ⁺⁰³	22	16	30	25	25
68-73	0301378-8	M8	13	25 ⁺⁰⁴	27,5	30	20	25	25
73-79	0301379-6	M8	13	25 ⁺⁰⁴	27,5	30	20	25	25
79-85	0301380-9	M8	13	25 ⁺⁰⁴	27,5	30	20	25	25
85-91	0301381-7	M8	13	25 ⁺⁰⁴	27,5	30	15	25	25
91-97	0301382-5	M8	13	25 ⁺⁰⁴	27,5	30	15	25	25
97-104	0301383-3	M8	13	25 ⁺⁰⁴	27,5	30	15	25	25
104-112	0301384-1	M8	13	25 ⁺⁰⁴	27,5	30	10	25	25

Application Ø									
mm	Part n°	r	e	a	b	Maximum values		Box Quantity (MOQ)	Outer Packing
						Torque (Nm)	Pressure (Bars)		
112-121	0301385-0	M8	13	25 ⁺⁰⁴	27,5	30	10	25	25
121-130	0301386-8	M8	13	25 ⁺⁰⁴	27,5	30	10	25	25
130-140	0301387-6	M10	17	28 ⁺⁰⁴	31	45	6	10	10
140-150	0301388-4	M10	17	28 ⁺⁰⁴	31	45	6	10	10
150-162	0301389-2	M10	17	28 ⁺⁰⁴	31	45	6	10	10
162-174	0301390-5	M10	17	28 ⁺⁰⁴	31	45	3	10	10
174-187	0301391-3	M10	17	28 ⁺⁰⁴	31	45	3	10	10
187-200	0301392-1	M10	17	28 ⁺⁰⁴	31	45	3	10	10
200-213	0301393-0	M10	17	28 ⁺⁰⁴	31	45	3	10	10
213-226	0301394-8	M10	17	28 ⁺⁰⁴	31	45	3	10	10
226-239	0301395-6	M10	17	28 ⁺⁰⁴	31	45	3	10	10
239-252	0301396-4	M10	17	28 ⁺⁰⁴	31	45	3	10	10
252-265	0301397-1	M10	17	28 ⁺⁰⁴	31	45	3	10	10
265-278	0301398-1	M10	17	28 ⁺⁰⁴	31	45	3	10	10
278-291	0301398-2	M10	17	28 ⁺⁰⁴	31	45	3	10	10
291-304	0301398-3	M10	17	28 ⁺⁰⁴	31	45	3	10	10
304-317	0301398-4	M10	17	28 ⁺⁰⁴	31	45	3	10	10
317-330	0301398-5	M10	17	28 ⁺⁰⁴	31	45	3	10	10
330-343	0301398-6	M10	17	28 ⁺⁰⁴	31	45	3	10	10
343-356	0301399-1	M10	17	28 ⁺⁰⁴	31	45	3	10	10
356-369	0301399-2	M10	17	28 ⁺⁰⁴	31	45	3	10	10
369-382	0301399-3	M10	17	28 ⁺⁰⁴	31	45	3	10	10
382-395	0301399-4	M10	17	28 ⁺⁰⁴	31	45	3	10	10
395-408	0301399-5	M10	17	28 ⁺⁰⁴	31	45	3	10	10

* It is recommended to apply 75% of the maximum values contained in the table.

* Special dimensions can be manufactured on request.

TECHNICAL INFORMATION	
MATERIAL	BAND AND BRIDGE: STAINLESS STEEL X5CrNiMo 1712 AISI-316 SCREW: STAINLESS STEEL AISI-316 Cu
FINISH	STAINLESS STEEL
CORROSION RESISTANCE	1000 HOURS SALT SPRAY (ASTM B-117)
MAXIMUM TIGHTENING SPEED (RPM)	540 ±5





SUPRA W2 CONSTANT TENSION Hose Clamp AISI 430 Stainless Steel

The Supra CT W2 clamp incorporates a bespoke bolt and a series of conical washers to the already outstanding Supra W2 clamp. This specialized version of the Supra W2 clamp is used in applications subject to vibration and/or great variations in temperature which can cause the components of a hose assembly to expand and contract. Thanks to the spring washer system, the Supra CT maintains constant pressure around the hose despite variations in temperature or vibration.

This clamp is generally fitted in combustion engines in construction machinery, trucks, tractors, buses, marine engines, military vehicles and diesel-powered generators. The bevelled edges protect the hose from damage.

The Supra CT clamp complies fully with the Directive EU 20032/95/EC.

** The maximum application pressure can vary depending on the type of hose used and the geometry of the coupling.*

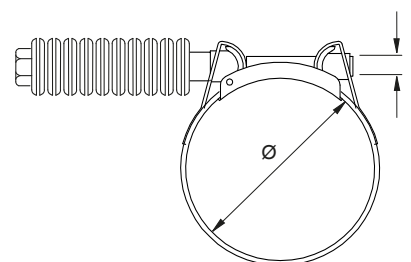
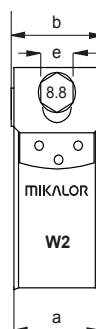
Application Ø									
mm	Part n°	r	e	a	b	Maximum values		Box Quantity (MOQ)	Outer Packing
						Torque (Nm)	Pressure (Bars)		
17-19	0302010-0	M6	10	18 ⁺⁰²	19,8	4,5	50	50	50
19-21	0302011-8	M6	10	18 ⁺⁰²	19,8	4,5	50	50	50
21-23	0302012-6	M6	10	18 ⁺⁰²	19,8	4,5	48	50	50
23-25	0302013-4	M6	10	18 ⁺⁰²	19,8	4,5	48	50	50
25-27	0302014-2	M6	10	18 ⁺⁰²	19,8	4,5	45	50	50
27-29	0302015-0	M6	10	18 ⁺⁰²	19,8	4,5	45	50	50
29-31	0302016-9	M7	10	20 ⁺⁰³	22,0	8	42	50	50
31-34	0302017-7	M7	10	20 ⁺⁰³	22,0	8	42	50	50
34-37	0302018-5	M7	10	20 ⁺⁰³	22,0	8	40	50	50
37-40	0302019-3	M7	10	20 ⁺⁰³	22,0	8	40	50	50
40-43	0302020-6	M7	10	20 ⁺⁰³	22,0	8	38	50	50
43-47	0302021-4	M7	10	20 ⁺⁰³	22,0	10	38	50	50
47-51	0302022-2	M7	10	20 ⁺⁰³	22,0	10	36	50	50
51-55	0302023-0	M7	10	20 ⁺⁰³	22,0	10	36	25	25
55-59	0302024-9	M7	10	20 ⁺⁰³	22,0	10	34	25	25
59-63	0302025-7	M7	10	20 ⁺⁰³	22,0	10	34	25	25
63-68	0302026-5	M7	10	20 ⁺⁰³	22,0	10	34	25	25
68-73	0302027-3	M8	13	25 ⁺⁰⁴	27,5	25	28	25	25

Application Ø									
d mm	Part nº	r	e	a	b	Maximum values		Box Quantity (MOQ)	Outer Packing
						Torque (Nm)	Pressure (Bars)		
73-79	0302028-1	M8	13	25 ⁺⁰⁴	27,5	25	28	25	25
79-85	0302029-0	M8	13	25 ⁺⁰⁴	27,5	25	28	25	25
85-91	0302030-2	M8	13	25 ⁺⁰⁴	27,5	25	20	25	25
91-97	0302031-0	M8	13	25 ⁺⁰⁴	27,5	25	20	25	25
97-104	0302032-9	M8	13	25 ⁺⁰⁴	27,5	25	20	25	25
104-112	0302033-7	M8	13	25 ⁺⁰⁴	27,5	25	12	25	25
112-121	0302034-5	M8	13	25 ⁺⁰⁴	27,5	25	12	25	25
121-130	0302035-3	M8	13	25 ⁺⁰⁴	27,5	25	12	25	25
130-140	0302036-1	M10	17	28 ⁺⁰⁴	31,0	50	9	10	10
140-150	0302037-0	M10	17	28 ⁺⁰⁴	31,0	50	9	10	10
150-162	0302038-8	M10	17	28 ⁺⁰⁴	31,0	50	9	10	10
162-174	0302039-6	M10	17	28 ⁺⁰⁴	31,0	50	6	10	10
174-187	0302040-9	M10	17	28 ⁺⁰⁴	31,0	50	6	10	10
187-200	0302041-7	M10	17	28 ⁺⁰⁴	31,0	50	6	10	10
200-213	0302042-5	M10	17	28 ⁺⁰⁴	31,0	50	3	10	10
213-226	0302043-3	M10	17	28 ⁺⁰⁴	31,0	50	3	10	10
226-239	0302044-1	M10	17	28 ⁺⁰⁴	31,0	50	3	10	10
239-252	0302045-0	M10	17	28 ⁺⁰⁴	31,0	50	3	10	10

* It is recommended to apply 75% of the maximum values contained in the table.

* Special dimensions can be manufactured on request.

TECHNICAL INFORMATION	
MATERIAL	BAND AND BRIDGE: STAINLESS STEEL X8Cr17 AISI- 430 SCREW: 8.8 GRADE STEEL WASHERS AND TRUNIONS: STAINLESS STEEL AISI-304
FINISH	STAINLESS STEEL
CORROSION RESISTANCE	72 HOURS SALT SPRAY (ASTM B- 117)
MAXIMUM TIGHTENING SPEED (RPM)	540 ±5





SUPRA W4 CONSTANT TENSION Hose Clamp AISI 430 Stainless Steel

The Supra CT W4 clamp incorporates a special AISI 304 Stainless Steel bolt and a series of conical washers to the outstanding Supra W4 clamp. This specialized version of the Supra W4 is used in applications subject to vibration and/or great variations in temperature and which can cause the components of a hose assembly to expand and contract. Thanks to the spring washer system, the Supra CT maintains constant pressure around the hose despite variations in temperature or vibration.

This clamp is generally fitted in combustion engines in construction machinery, trucks, tractors, buses, marine engines, military vehicles and diesel-powered generators. The bevelled edges protect the hose from damage. The Supra CT clamp complies fully with the Directive EU 20032/95/EC.

** The maximum application pressure can vary depending on the type of hose used and the geometry of the coupling.*

Application Ø									
mm	Part n°	r	e	a	b	Maximum values		Box Quantity (MOQ)	Outer Packing
						Torque (Nm)	Pressure(Bars)		
25-27	4301305-9	M6	10	18 +02	19,8	4,5	45	50	400
27-29	4301306-7	M6	10	18 +02	19,8	4,5	45	50	200
29-31	4301307-5	M7	10	20 +03	22,0	8	42	50	50
31-34	4301308-3	M7	10	20 +03	22,0	8	42	50	50
34-37	4301309-1	M7	10	20 +03	22,0	8	40	50	50
37-40	4301310-4	M7	10	20 +03	22,0	8	40	50	50
40-43	4301311-2	M7	10	20 +03	22,0	8	38	50	50
43-47	4301312-0	M7	10	20 +03	22,0	10	38	50	50
47-51	4301313-9	M7	10	20 +03	22,0	10	36	50	50
51-55	4301314-7	M7	10	20 +03	22,0	10	36	25	25
55-59	4301315-5	M7	10	20 +03	22,0	10	34	25	25
59-63	4301316-3	M7	10	20 +03	22,0	10	34	25	25
63-68	4301317-1	M7	10	20 +03	22,0	10	34	25	25
68-73	4301318-0	M8	13	25 +04	27,5	25	28	25	25
73-79	4301319-8	M8	13	25 +04	27,5	25	28	25	25
79-85	4301320-0	M8	13	25 +04	27,5	25	28	25	25

Application Ø									
mm	Part n°	r	e	a	b	Maximum values		Box Quantity (MOQ)	Outer Packing
						Torque (Nm)	Pressure (Bars)		
85-91	4301321-9	M8	13	25 +04	27,5	25	20	25	25
91-97	4301322-7	M8	13	25 +04	27,5	25	20	25	25
97-104	4301323-5	M8	13	25 +04	27,5	25	20	25	25
104-112	4301324-3	M8	13	25 +04	27,5	25	12	25	25
112-121	4301325-1	M8	13	25 +04	27,5	25	12	25	25
121-130	4301326-0	M8	13	25 +04	27,5	25	12	25	25
130-140	4301327-8	M10	17	28 +04	31,0	50	9	10	10
140-150	4301328-6	M10	17	28 +04	31,0	50	9	10	10
150-162	4301329-4	M10	17	28 +04	31,0	50	9	10	10
162-174	4301330-7	M10	17	28 +04	31,0	50	6	10	10
174-187	4301331-5	M10	17	28 +04	31,0	50	6	10	10
187-200	4301332-3	M10	17	28 +04	31,0	50	6	10	10
200-213	4301333-1	M10	17	28 +04	31,0	50	3	10	10
213-226	4301334-0	M10	17	28 +04	31,0	50	3	10	10
226-239	43013358	M10	17	28 +04	31,0	50	3	10	10
239-252	4301336-6	M10	17	28 +04	31,0	50	3	10	10

* It is recommended to apply 75% of the maximum values contained in the table.

* Special dimensions can be manufactured on request.

TECHNICAL INFORMATION	
MATERIAL	STAINLESS STEEL AISI-304
FINISH	STAINLESS STEEL
CORROSION RESISTANCE	400 HOURS SALT SPRAY (ASTM B-117)
MAXIMUM TIGHTENING SPEED (RPM)	540 ±5

OEM Hose Clamps

Industrial Range

The I+D+i department at Mikalor designs special models in response to the requirements of the automotive industry or other industrial sectors. All these special clamps undergo rigorous testing for performance, metal fatigue and corrosion before going into production. These tests are carried out using the latest technology, designed specifically for technical trials and simulation of customer hose clamp assemblies.





GRIND
OKAMOTO PRECISION
Okamoto

COMHEP

C63DX

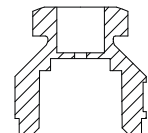
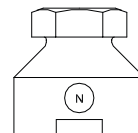
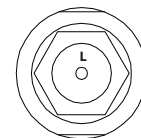
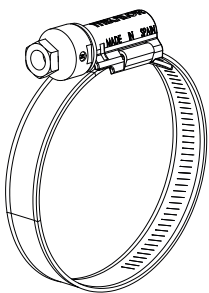


ASFA L (9mm) Hose Clamp with Torque Cap

This system guarantees that the correct torque is applied to a clamp thanks to a torque cap which is fitted to the screw of the standard clamp. When the target torque is reached the tip of the torque cap breaks off, making it impossible to apply more torque. The remains of the torque cap can then be left in place, making it impossible to apply more torque, or removed if more torque is required. These clamps are supplied with the torque cap in place and ready to be assembled.

Application Ø	L W1	L W2	L W3	L W4	L W5	Box Quantity (M00)
8-12	CA3008745	CA3016508	-	CA3014000	-	200
8-16	CA3008753	CA3016516	CA3016014	CA3014019	CA3015759	200
12-22	CA3008761	CA3016524	CA3016022	CA3014027	CA3015767	200
16-27	CA3008770	CA3016532	CA3016030	CA3014035	CA3015775	200
20-32	CA3008788	CA3016540	CA3016049	CA3014043	CA3015783	100
25-40	CA3008796	CA3016559	CA3016065	CA3014051	CA3015804	100
30-45	CA3008809	CA3016567	CA3016073	CA3014060	CA3015812	100
32-50	CA3008817	CA3016575	CA3016081	CA3014078	CA3015820	100
40-60	CA3008825	CA3016583	CA3016090	CA3014086	CA3015839	100
50-70	CA3008833	CA3016591	CA3016102	CA3014094	CA3015847	100
60-80	CA3008841	CA3016604	CA3016110	CA3014107	CA3015855	100
70-90	CA3008850	CA3016612	CA3016129	CA3014115	CA3015863	50
80-100	CA3008868	CA3016620	CA3016137	CA3014123	CA3015871	50
90-110	CA3008876	CA3016639	CA3016145	CA3014140	CA3015880	25
100-120	CA3008884	CA3016647	CA3016153	CA3014158	CA3015898	25
110-130	CA3008892	CA3016655	CA3016161	CA3014166	CA3015900	25
120-140	CA3008905	CA3016663	CA3016170	CA3014174	CA3015919	25
130-150	CA3008913	CA3016671	CA3016188	CA3014182	CA3015927	25
140-160	CA3008921	CA3016680	CA3016196	CA3014190	CA3015935	25

TECHNICAL INFORMATION	
MATERIAL TORQUE CAP	ZAMAK 5 GD-ZnALU Cu1
FINISH	SILVER-WHITE
CORROSION RESISTANCE	According to material used W1, W2, W3, W4 o W5.
MAXIMUM TIGHTENING SPEED (RPM)	540 ±5



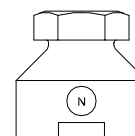
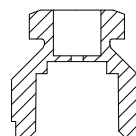
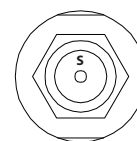
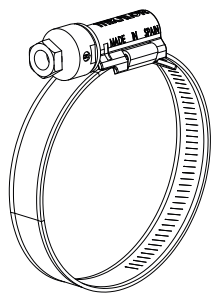


ASFA S (12mm) Hose Clamp with Torque Cap

This system guarantees that the correct torque is applied to a clamp thanks to a torque cap which is fitted to the screw of the standard clamp. When the target torque is reached the tip of the torque cap breaks off, making it impossible to apply more torque. The remains of the torque cap can then be left in place, making it impossible to apply more torque, or removed if more torque is required. These clamps are supplied with the torque cap in place and ready to be assembled.

Application Ø	S W1	S W2	S W3	S W4	S W5	Box Quantity (MOQ)
16-27	CA3009001	CA3017017	CA3016209	CA3014730	CA3017720	50
20-32	CA3009002	CA3017025	CA3016217	CA3014510	CA3017500	50
25-40	CA3009003	CA3017033	CA3016225	CA3014529	CA3017519	50
30-45	CA3009004	CA3017009	CA3016233	CA3014748	CA3017738	50
32-50	CA3009005	CA3017041	CA3016241	CA3014537	CA3017527	50
40-60	CA3009006	CA3017050	CA3016250	CA3014545	CA3017535	50
50-70	CA3009007	CA3017068	CA3016268	CA3014553	CA3017543	50
60-80	CA3009008	CA3017076	CA3016276	CA3014561	CA3017551	50
70-90	CA3009009	CA3017084	CA3016284	CA3014570	CA3017560	50
80-100	CA3009010	CA3017092	CA3016292	CA3014588	CA3017578	25
90-110	CA3009011	CA3017105	CA3016305	CA3014596	CA3017586	25
100-120	CA3009012	CA3017113	CA3016313	CA3014609	CA3017594	25
110-130	CA3009013	CA3017121	CA3016321	CA3014617	CA3017607	25
120-140	CA3009014	CA3017130	CA3016330	CA3014625	CA3017615	25
130-150	CA3009015	CA3017148	CA3016348	CA3014633	CA3017623	25
140-160	CA3009016	CA3017156	CA3016356	CA3014641	CA3017631	25
150-170	CA3009017	CA3017164	CA3016364	CA3014650	CA3017640	25
160-180	CA3009018	CA3017172	CA3016372	CA3014668	CA3017658	25
170-190	CA3009019	CA3017180	CA3016380	CA3014676	CA3017666	10
180-200	CA3009020	CA3017199	CA3016399	CA3014684	CA3017674	10
190-210	CA3009021	CA3017201	CA3016428	CA3014692	CA3017682	10
200-220	CA3009022	CA3017210	CA3016436	CA3014705	CA3017690	10
210-230	CA3009023	CA3017228	CA3016444	CA3014713	CA3017703	10
220-240	CA3009024	CA3017236	CA3016452	CA3014721	CA3017711	10

TECHNICAL INFORMATION	
MATERIAL TORQUE CAP	ZAMAK 5 GD-ZnAlU Cu1
FINISH	SILVER-WHITE
CORROSION RESISTANCE	According to material used W1, W2, W3, W4 o W5.
MAXIMUM TIGHTENING SPEED (RPM)	540 ±5



Bridge Clamps

These clamps can be manufactured with one or two bridges and for left-hand or right-hand helixes. The Double Bridge clamp was developed by the Mikalor R&D Department due to requirements from the ventilation sector and also for applications involving fume, woodchip and dust extraction for a clamp suitable for spiral hose incorporating an outer helix.

Bridge clamps are marked with the application range, material, country of manufacture and the Mikalor logo in compliance with the DIN 3017 norm.

Designed for both manual and automated assembly.

The exclusive design of the housing keeps the screw in firm contact with the band at all times.

Smooth band underside which avoids damage to the hose.

Bevelled band edges to avoid the clip cutting into the hose.





Bridge Clamp ASFA L (9 mm)

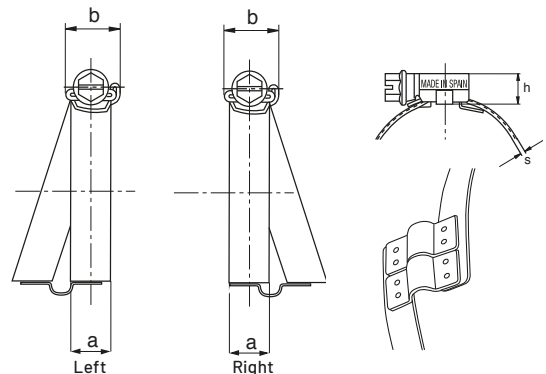
ASFA L Bridge Clamps with 9mm bandwidth and manufactured with one or two bridges are an ideal solution for hoses with an outer helix. The geometry and design of the bridges ensure a leaktight fit. These clamps are specially recommended for use on medium-sized and large bore hose mainly used for ventilation or extraction.

** The maximum application pressure can vary depending on the type of hose used and the geometry of the coupling.*

Application Ø		Material qualities	Number of bridges	Bridge Position	S +0,10	h max.	a +0,3 a-0,2	b max.	Maximum values		Box Quantity (MOQ)
mm									Torque (Nm)	Pressure (Bars)	
25-40	W1 W2 W3 W4 W5	1	right/left	0,7	10	9	14	4	30	100	
30-45	W1 W2 W3 W4 W5	1	right/left	0,7	10	9	14	4	26	100	
32-50	W1 W2 W3 W4 W5	1-2	right/left	0,7	10	9	14	4	22	100	
40-60	W1 W2 W3 W4 W5	1-3	right/left	0,7	10	9	14	4	18	100	
50-70	W1 W2 W3 W4 W5	1-4	right/left	0,7	10	9	14	4	16	100	
60-80	W1 W2 W3 W4 W5	1-5	right/left	0,7	10	9	14	4	14	100	
70-90	W1 W2 W3 W4 W5	1-6	right/left	0,7	10	9	14	4	12	50	
80-100	W1 W2 W3 W4 W5	1-7	right/left	0,7	10	9	14	4	10	50	
90-110	W1 W2 W3 W4 W5	1-8	right/left	0,7	10	9	14	4	9	25	
100-120	W1 W2 W3 W4 W5	1-9	right/left	0,7	10	9	14	4	8	25	
110-130	W1 W2 W3 W4 W5	1-10	right/left	0,7	10	9	14	4	7	25	
120-140	W1 W2 W3 W4 W5	1-11	right/left	0,7	10	9	14	4	6	25	
130-150	W1 W2 W3 W4 W5	1-12	right/left	0,7	10	9	14	4	5	25	
140-160	W1 W2 W3 W4 W5	1-13	right/left	0,7	10	9	14	4	4	25	

** It is recommended to apply 75% of the maximum values contained in the table.*

	TECHNICAL INFORMATION	
	MATERIAL	W1: GALVANIZED STEEL W2,W3,W4,W5: STAINLESS STEEL AISI-430, AISI-304, AISI-316
	FINISH	W1: GALVANIZED STEEL W2, W3, W4, W5: STAINLESS STEEL
	CORROSION RESISTANCE	ACCORDING TO MATERIAL USED
	MAXIMUM TIGHTENING SPEED (RPM)	540 ±5





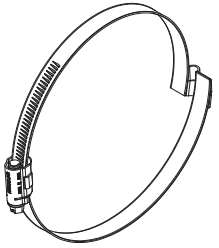
Bridge Clamp ASFA S (12 mm)

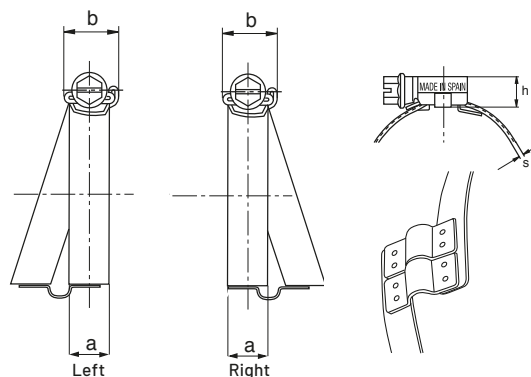
ASFA S Bridge Clamps with 12mm bandwidth and manufactured with one or two bridges are an ideal solution for hoses with an outer helix. The geometry and design of the bridges ensure a leaktight fit. These clamps are specially recommended for use on medium-sized and large bore hose mainly used for ventilation or extraction.

** The maximum application pressure can vary depending on the type of hose used and the geometry of the coupling.*

Application Ø mm	Material qualities	Number of bridges	Bridge Position	S +0,10	h max.	a +0,3 a-0,2	b max.	Maximum values		Box Quantity (MOQ)
								Torque (Nm)	Pressure (Bars)	
32-50	W1 W2 W3 W4 W5	1-2	right/left	0,85	11	12	16,7	6,5	32	50
40-60	W1 W2 W3 W4 W5	1-2	right/left	0,85	11	12	16,7	6,5	28	50
50-70	W1 W2 W3 W4 W5	1-2	right/left	0,85	11	12	16,7	7	23	50
60-80	W1 W2 W3 W4 W5	1-2	right/left	0,85	11	12	16,7	7	18	50
70-90	W1 W2 W3 W4 W5	1-2	right/left	0,85	11	12	16,7	7	15	50
80-100	W1 W2 W3 W4 W5	1-2	right/left	0,85	11	12	16,7	7	12	25
90-110	W1 W2 W3 W4 W5	1-2	right/left	0,85	11	12	16,7	7	10	25
100-120	W1 W2 W3 W4 W5	1-2	right/left	0,85	11	12	16,7	7	9	25
110-130	W1 W2 W3 W4 W5	1-2	right/left	0,85	11	12	16,7	7	8	25
120-140	W1 W2 W3 W4 W5	1-2	right/left	0,85	11	12	16,7	7	7	25
130-150	W1 W2 W3 W4 W5	1-2	right/left	0,85	11	12	16,7	7	6	25
140-160	W1 W2 W3 W4 W5	1-2	right/left	0,85	11	12	16,7	7	5	25
150-170	W1 W2 W3 W4 W5	1-2	right/left	0,85	11	12	16,7	7	4	25
160-180	W1 W2 W3 W4 W5	1-2	right/left	0,85	11	12	16,7	7	3	25
170-190	W1 W2 W3 W4 W5	1-2	right/left	0,85	11	12	16,7	7	2	10
180-200	W1 W2 W3 W4 W5	1-2	right/left	0,85	11	12	16,7	7	2	10
190-210	W1 W2 W3 W4 W5	1-2	right/left	0,85	11	12	16,7	7	1,8	10
200-220	W1 W2 W3 W4 W5	1-2	right/left	0,85	11	12	16,7	7	1,8	10
210-230	W1 W2 W3 W4 W5	1-2	right/left	0,85	11	12	16,7	7	1,6	10
220-240	W1 W2 W3 W4 W5	1-2	right/left	0,85	11	12	16,7	7	1,6	10

** It is recommended to apply 75% of the maximum values contained in the table.*

	TECHNICAL INFORMATION	
	MATERIAL	W1: GALVANIZED STEEL W2,W3,W4,W5: STAINLESS STEEL AISI-430, AISI-304, AISI-316
	FINISH	W1: GALVANIZED STEEL W2, W3, W4, W5: STAINLESS STEEL
	CORROSION RESISTANCE	ACCORDING TO MATERIAL USED
	MAXIMUM TIGHTENING SPEED (RPM)	540 ±5



P-Clips

Reinforced band ends designed to avoid deformation of the holes in extreme applications, ensuring high corrosion-resistance.

All P-Clips are marked with the application diameter, material and the Mikalor logo in compliance with the DIN 3016 norm.

Manufactured in highly flexible material which adapts perfectly to the application in question.

Special diameters are available on request.

EPDM profile which absorbs vibrations and protects the P-Clip from friction. It also provides a seal against water filtration in the application zone. Good UV and ozone resistance.



DIN 3016-1 P-Clip Range

Our main range of P-Clips is manufactured according to DIN 3016. The range consists of 6 different forms of P-Clip, of which the D form with EPDM lining is by far the most widely used.

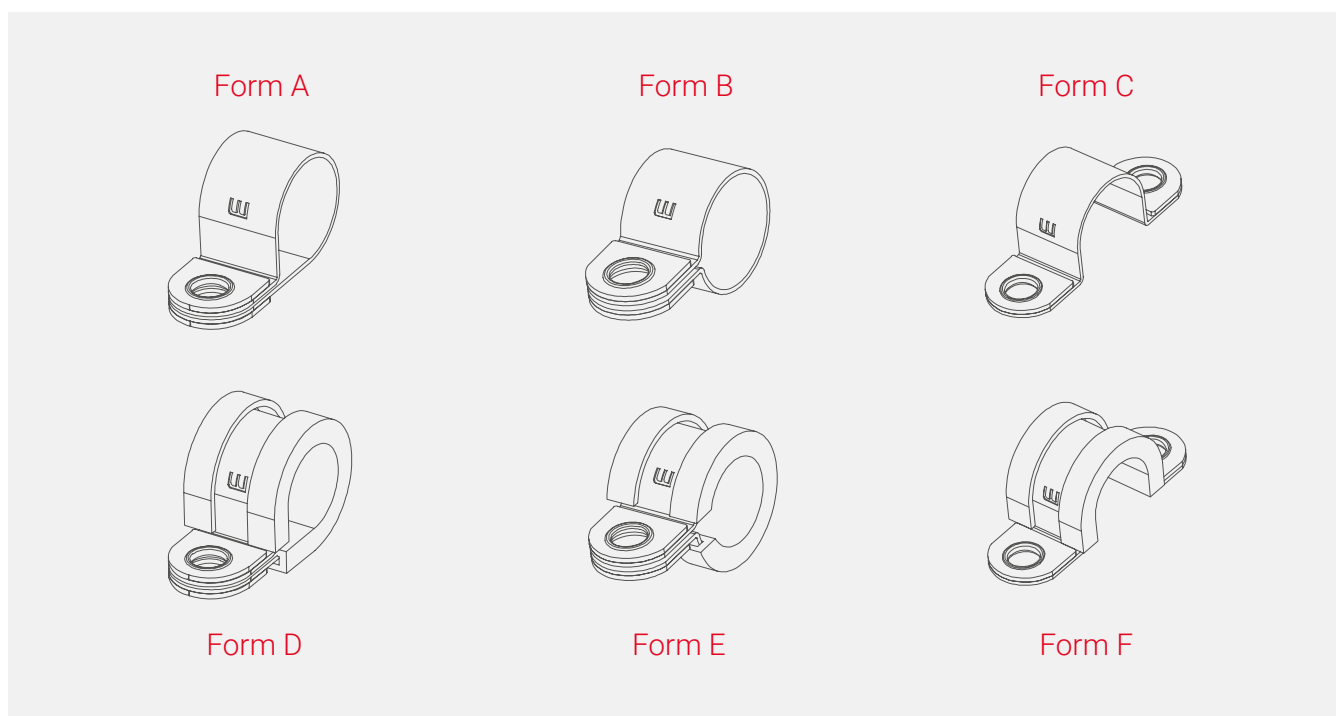
Forms D, E and F can be lined with other types of rubber such as Chloroprene (CR), Nitrile (NBR) or Silicone Rubber (MVQ) depending on the application.

The main use for P-Clips is to fasten tubes, hoses, hydraulic cables or cable conduits.

These versatile fasteners are very resistant to wear, and heat or metal fatigue caused by friction, especially in the case of the rubber-lined models. The reinforced screw holes protect the clips from breakage, particularly when large diameters are fastened.

DIN 3016 P-clips are generally used in automotive applications, machinery construction, railroad applications, white goods, air-conditioning and refrigeration.

Rubber Type	Colour	Temperature Resistance	Petrol/Diesel Resistance	Oil Resistance	Acid Resistance	Temperature / Ozone Resistance	Properties
EPDM	Black	-40/+120	Not suitable	Not suitable	Good	Excellent	Good resistance to UV rays and thermal insulation.
Chloroprene (CR)	Black	-35/+100	Moderate	Good	Good	Excellent	Excellent resistance to wear and flame retardant in case of fire.
Nitrile (NBR)	Black	-35/+100	Good	Excellent	Excellent	Moderate	Good resistance to all types of oils.
Silicone Rubber (MVQ)	Grey	-60/+170	Acceptable	Acceptable	Acceptable	Good	Good resistance to heat and thermal insulation. Non-inflammable and good resistance to UV rays.



Bandwidth	Diameters mm	Diameter fixing hole	Metric Screw	Forms	Materials
9 mm	5-10	4,3	M.4	A, B, C, D, E and F	W1 W3 W4 W5
12 mm	5-80	5,3	M.5	A, B, C, D, E and F	W1 W3 W4 W5
15 mm	5-100	6,4	M.6	A, B, C, D, E and F	W1 W3 W4 W5
20 mm	10-130	8,4	M.8	A, B, C, D, E and F	W1 W3 W4 W5
25 mm	15-150	10,5	M.10	A, B, C, D, E and F	W1 W3 W4 W5

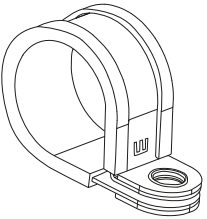
DIN 3016 P-Clip Form D

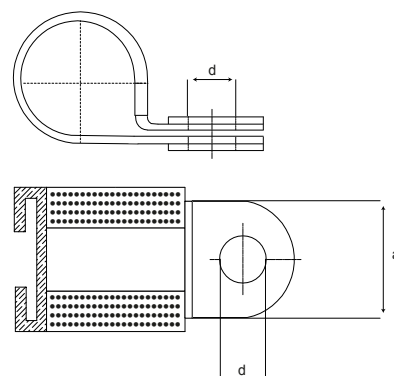


DIN 3016 Rubber lined P-Clips are manufactured from steel strips lined with EPDM rubber. This rubber liner ensures a safe tight-fitting assembly, protects the application area and prevent possible damage caused by vibration. The screw holes are reinforced with metal plates to guarantee a solid grip. P-Clips are recommended for fastening pipes, hoses and conduits in many different applications.

Article	Part n° W1	Part n° W4	Application Ø	Bandwidth a	d	For metric screw	Box Quantity (MOQ)	Outer Packing
AGD 5/12	0300385-6	4300385-9	5	12	5,3	M.5	500	500
AGD 6/12	0300386-4	4300386-7	6	12	5,3	M.5	500	500
AGD 8/12	0300388-0	4300388-3	8	12	5,3	M.5	500	500
AGD 10/12	0300390-1	4300390-4	10	12	5,3	M.5	500	500
AGD 12/12	0300392-8	4300392-0	12	12	5,3	M.5	500	500
AGD 13/12	0300393-6	4300393-9	13	12	5,3	M.5	500	500
AGD 14/12	0300394-4	4300394-7	14	12	5,3	M.5	500	500
AGD 15/12	0300395-2	4300395-5	15	12	5,3	M.5	500	500
AGD 16/12	0300396-0	4300396-3	16	12	5,3	M.5	200	200
AGD 17/12	0300397-9	4300397-1	17	12	5,3	M.5	200	200
AGD 18/12	0300398-7	4300398-0	18	12	5,3	M.5	200	200
AGD 19/12	0300399-5	4300399-8	19	12	5,3	M.5	200	200
AGD 20/12	0300400-7	4300400-0	20	12	5,3	M.5	200	200
AGD 21/12	0300401-5	4300401-8	21	12	5,3	M.5	200	200
AGD 22/12	0300402-3	4300402-6	22	12	5,3	M.5	200	200
AGD 23/12	0300403-1	4300403-4	23	12	5,3	M.5	200	200
AGD 24/12	0300404-0	4300404-2	24	12	5,3	M.5	200	200
AGD 25/12	0300405-8	4300405-0	25	12	5,3	M.5	200	200
AGD 26/12	0300406-6	4300406-9	26	12	5,3	M.5	200	200
AGD 27/12	0300407-4	4300407-7	27	12	5,3	M.5	200	200
AGD 28/12	0300408-2	4300408-5	28	12	5,3	M.5	200	200
AGD 6/15	0300466-4	4300466-7	6	15	6,4	M.6	500	500
AGD 8/15	0300468-0	4300468-3	8	15	6,4	M.6	500	500
AGD 10/15	0300470-1	4300470-4	10	15	6,4	M.6	500	500
AGD 12/15	0300472-8	4300472-0	12	15	6,4	M.6	250	250
AGD 13/15	0300473-6	4300473-9	13	15	6,4	M.6	250	250
AGD 14/15	0300474-4	4300474-7	14	15	6,4	M.6	250	250
AGD 15/15	0300475-2	4300475-5	15	15	6,4	M.6	250	250
AGD 16/15	0300476-0	4300476-3	16	15	6,4	M.6	250	250
AGD 17/15	0300477-9	4300477-1	17	15	6,4	M.6	250	250
AGD 18/15	0300478-7	4300478-0	18	15	6,4	M.6	250	250
AGD 19/15	0300479-5	4300479-8	19	15	6,4	M.6	250	250
AGD 20/15	0300480-8	4300480-0	20	15	6,4	M.6	100	100
AGD 21/15	0300481-6	4300481-9	21	15	6,4	M.6	100	100
AGD 22/15	0300482-4	4300482-7	22	15	6,4	M.6	100	100
AGD 23/15	0300483-2	4300483-5	23	15	6,4	M.6	100	100
AGD 25/15	0300485-9	4300485-1	25	15	6,4	M.6	100	100
AGD 26/15	0300486-7	4300486-0	26	15	6,4	M.6	100	100

Article	Part nº W1	Part nº W4	Application Ø	Bandwidth a	d	For metric screw	Box Quantity (MOQ)	Outer Packing
AGD 28/15	0300488-3	4300488-6	28	15	6,4	M.6	100	100
AGD 30/15	0300490-4	4300490-7	30	15	6,4	M.6	100	100
AGD 32/15	0300492-0	4300492-3	32	15	6,4	M.6	100	100
AGD 34/15	0300494-7	4300494-0	34	15	6,4	M.6	100	100
AGD 35/15	0300495-5	4300495-8	35	15	6,4	M.6	100	100
AGD 37/15	0300497-1	4300497-4	37	15	6,4	M.6	100	100
AGD 38/15	0300498-0	4300498-2	38	15	6,4	M.6	100	100
AGD 40/15	0300500-0	4300500-2	40	15	6,4	M.6	50	50
AGD 10/20	0300710-1	4300550-7	10	20	8,4	M.8	200	200
AGD 11/20	0300551-0	4300551-2	11	20	8,4	M.8	100	100
AGD 12/20	0300552-8	4300552-0	12	20	8,4	M.8	100	100
AGD 13/20	0300553-6	4300553-9	13	20	8,4	M.8	100	100
AGD 14/20	0300554-4	4300554-7	14	20	8,4	M.8	100	100
AGD 15/20	0300555-2	4300555-5	15	20	8,4	M.8	100	100
AGD 16/20	0300556-0	4300556-3	16	20	8,4	M.8	100	100
AGD 17/20	03005562	4300556-8	17	20	8,4	M.8	100	100
AGD 18/20	0300557-9	4300557-1	18	20	8,4	M.8	100	100
AGD 19/20	0300558-7	4300558-0	19	20	8,4	M.8	100	100
AGD 20/20	0300559-5	4300559-8	20	20	8,4	M.8	100	100
AGD 21/20	0300560-8	4300560-0	21	20	8,4	M.8	100	100
AGD 22/20	0300561-6	4300561-9	22	20	8,4	M.8	100	100
AGD 23/20	0300562-4	4300562-7	23	20	8,4	M.8	100	100
AGD 24/20	0300563-2	4300563-5	24	20	8,4	M.8	100	100
AGD 25/20	0300564-0	4300564-3	25	20	8,4	M.8	100	100
AGD 27/20	0300566-7	4300566-1	27	20	8,4	M.8	100	100
AGD 28/20	0300567-5	4300567-0	28	20	8,4	M.8	100	100
AGD 30/20	0300569-1	4300569-6	30	20	8,4	M.8	50	50
AGD 32/20	0300571-2	4300571-5	32	20	8,4	M.8	50	50
AGD 34/20	0300573-9	4300573-1	34	20	8,4	M.8	50	50
AGD 35/20	0300574-7	4300574-0	35	20	8,4	M.8	50	50
AGD 36/20	0300575-5	4300575-8	36	20	8,4	M.8	50	50
AGD 38/20	0300577-1	4300577-4	38	20	8,4	M.8	50	50
AGD 40/20	0300579-8	4300579-0	40	20	8,4	M.8	50	50

TECHNICAL INFORMATION	
	MATERIAL W1: GALVANIZED STEEL (DIN 1.0529) W4: STAINLESS STEEL AISI-430
	FINISH W1: GREY-WHITE WITH EPDM RUBBER W4: STAINLESS STEEL
	TEMPERATURE RESISTANCE -40 + 120 °C



SMS P-Clip



W1

Mikalor SMS P-Clips are ideal for attaching and retaining cable conduits, hoses and tubes in construction, sanitary and particularly in automotive applications.

They are widely used in agricultural machinery, boatbuilding, commercial vehicles, construction equipment etc.

The anti-vibration EPDM rubber profile helps to hold pipes, hoses and conduits firmly in place without chafing or damage to the clamping area.

In contrast to DIN 3016 P-Clips, SMS P-Clips have one round hole and one oval hole. This unique feature allows for certain flexibility when fixing these clips in place.

Mikalor SMS P-Clips are available in two bandwidths. 12,7mm (with an M6 hole) and 15,9mm (with an M8 hole).

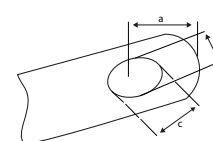
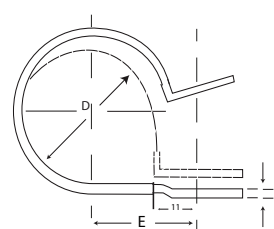
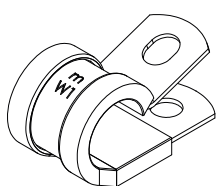
** Special diameters are available on request.*

** Other types of rubber lining are also available.*

Article	Part n°	Application D $\pm 0,4$ mm	Bandwidth	E $\pm 0,4$	T $\pm 0,1$	For metric screw b	a	c	Box Quantity (MOQ)	Outer Packing
SMS 4,8/12	0302500-7	4,8	12,7	15,4	0,8	M6	8	8	500	500
SMS 6/12	0302501-5	6,4	12,7	16,2	0,8	M6	8	8	500	500
SMS 8/12	0302502-2	7,9	12,7	17	0,8	M6	8	8	500	500
SMS 10/12	0302506-6	9,5	12,7	17,8	0,8	M6	8	8	500	500
SMS 11/12	0302506-9	11,1	12,7	18,6	0,8	M6	8	8	200	200
SMS 13/12	0302507-7	12,7	12,7	19,4	1	M6	8	8	200	200
SMS 14/12	0302509-0	14,3	12,7	20,2	1	M6	8	8	200	200
SMS 16/12	0302510-6	15,9	12,7	21	1	M6	8	8	200	200
SMS 17/12	0302512-2	17,5	12,7	21,8	1	M6	8	8	200	200
SMS 19/12	0302514-4	19	12,7	22,6	1	M6	8	8	200	200
SMS 20/12	0302515-5	20,6	12,7	23,4	1	M6	8	8	200	200
SMS 22/12	0302516-9	22,2	12,7	24,2	1	M6	8	8	200	200
SMS 23/12	0302518-5	23,8	12,7	25	1	M6	8	8	200	200
SMS 25/12	0302517-7	25,4	12,7	25,8	1	M6	8	8	100	100
SMS 27/12	0302522-5	27	12,7	27,1	1,2	M6	8	8	100	100
SMS 29/12	0302523-5	28,6	12,7	27,9	1,2	M6	8	8	100	100
SMS 30/12	0302525-5	30,2	12,7	28,6	1,2	M6	8	8	100	100
SMS 32/12	0302526-6	31,8	12,7	29,4	1,2	M6	8	8	100	100
SMS 33/12	0302527-4	33,3	12,7	30,2	1,2	M6	8	8	100	100
SMS 35/12	0302529-3	34,9	12,7	31	1,2	M6	8	8	100	100
SMS 36/12	0302531-0	36,5	12,7	31,8	1,2	M6	8	8	100	100
SMS 38/12	0302533-0	38,1	12,7	32,6	1,2	M6	8	8	100	100
SMS 41/12	0302536-0	41	12,7	34	1,2	M6	8	8	100	100
SMS 45/12	0302539-0	45	12,7	36	1,2	M6	8	8	50	50
SMS 47/12	0302542-2	47	12,7	36,5	1,2	M6	8	8	50	50
SMS 51/12	0302546-6	51	12,7	39	1,2	M6	8	8	50	50
SMS 54/12	0302549-9	54	12,7	41,5	1,2	M6	8	8	50	50
SMS 60/12	0302536-6	60	12,7	43,5	1,2	M6	8	8	50	50
SMS 65/12	0302537-7	65	12,7	46,1	1,2	M6	8	8	50	50
SMS 74/12	0302547-7	74	12,7	50	1,2	M6	8	8	25	25
SMS 82/12	0302548-0	82	12,7	59	1,2	M6	8	8	25	25
SMS 110/12	0302550-0	110	12,7	68	1,2	M6	8	8	25	25
SMS 6/15	0302560-0	6,4	15,9	16,2	0,8	M8	9	11	500	500
SMS 7/15	0302561-1	7,9	15,9	17	0,8	M8	9	11	500	500
SMS 9/15	0302562-2	9,5	15,9	17,8	0,8	M8	9	11	200	200
SMS 11/15	0302563-3	11,1	15,9	18,6	0,8	M8	9	11	200	200
SMS 12/15	0302564-4	12,7	15,9	19,4	1	M8	9	11	200	200
SMS 14/15	0302565-5	14,3	15,9	20,2	1	M8	9	11	200	200
SMS 15/15	0302566-6	15,9	15,9	21	1	M8	9	11	200	200

Article	Part n°	Application D ±0,4 mm	Bandwidth	E ±0,4	T ±0,1	For metric screw b	a	c	Box Quantity (MOQ)	Outer Packing
SMS 17/15	0302567-7	17,5	15,9	21,8	1	M8	9	11	200	200
SMS 19/15	0302568-8	19	15,9	22,6	1	M8	9	11	200	200
SMS 20/15	0302569-9	20,6	15,9	23,4	1	M8	9	11	200	200
SMS 22/15	0302570-0	22,2	15,9	24,2	1	M8	9	11	100	100
SMS 23/15	0302571-1	23,8	15,9	25	1	M8	9	11	100	100
SMS 25/15	0302572-2	25,4	15,9	25,8	1	M8	9	11	100	100
SMS 27/15	0302573-3	27	15,9	27,1	1,2	M8	9	11	100	100
SMS 28/15	0302596-6	28,6	15,9	27,9	1,2	M8	9	11	100	100
SMS 30/15	0302574-4	30,2	15,9	28,6	1,2	M8	9	11	100	100
SMS 31/15	0302575-5	31,8	15,9	29,4	1,2	M8	9	11	100	100
SMS 33/15	0302576-6	33,3	15,9	30,2	1,2	M8	9	11	100	100
SMS 34/15	0302577-7	34,9	15,9	31	1,2	M8	9	11	100	100
SMS 36/15	0302578-8	36,5	15,9	31,8	1,2	M8	9	11	100	100
SMS 38/15	0302579-9	38,1	15,9	32,6	1,2	M8	9	11	50	50
SMS 41/15	0302581-1	41	15,9	34	1,2	M8	9	11	50	50
SMS 45/15	0302583-3	45	15,9	36	1,2	M8	9	11	50	50
SMS 47/15	0302584-4	47	15,9	36,5	1,2	M8	9	11	50	50
SMS 51/15	0302585-4	51	15,9	39	1,2	M8	9	11	50	50
SMS 55/15	0302586-6	54	15,9	41,5	1,2	M8	9	11	50	50
SMS 60/15	0302587-7	60	15,9	43,5	1,2	M8	9	11	50	50
SMS 64/15	0302588-8	65	15,9	46,1	1,2	M8	9	11	50	50
SMS 75/15	0302589-9	74	15,9	50	1,2	M8	9	11	50	50
SMS 110/15	0302590-0	110	15,9	68	1,2	M8	9	11	50	50

TECHNICAL INFORMATION	
MATERIAL	GALVANIZED STEEL (DIN 1.0529)
FINISH	GREY-WHITE WITH EPDM RUBBER
TEMPERATURE RESISTANCE	-40 + 120 °C



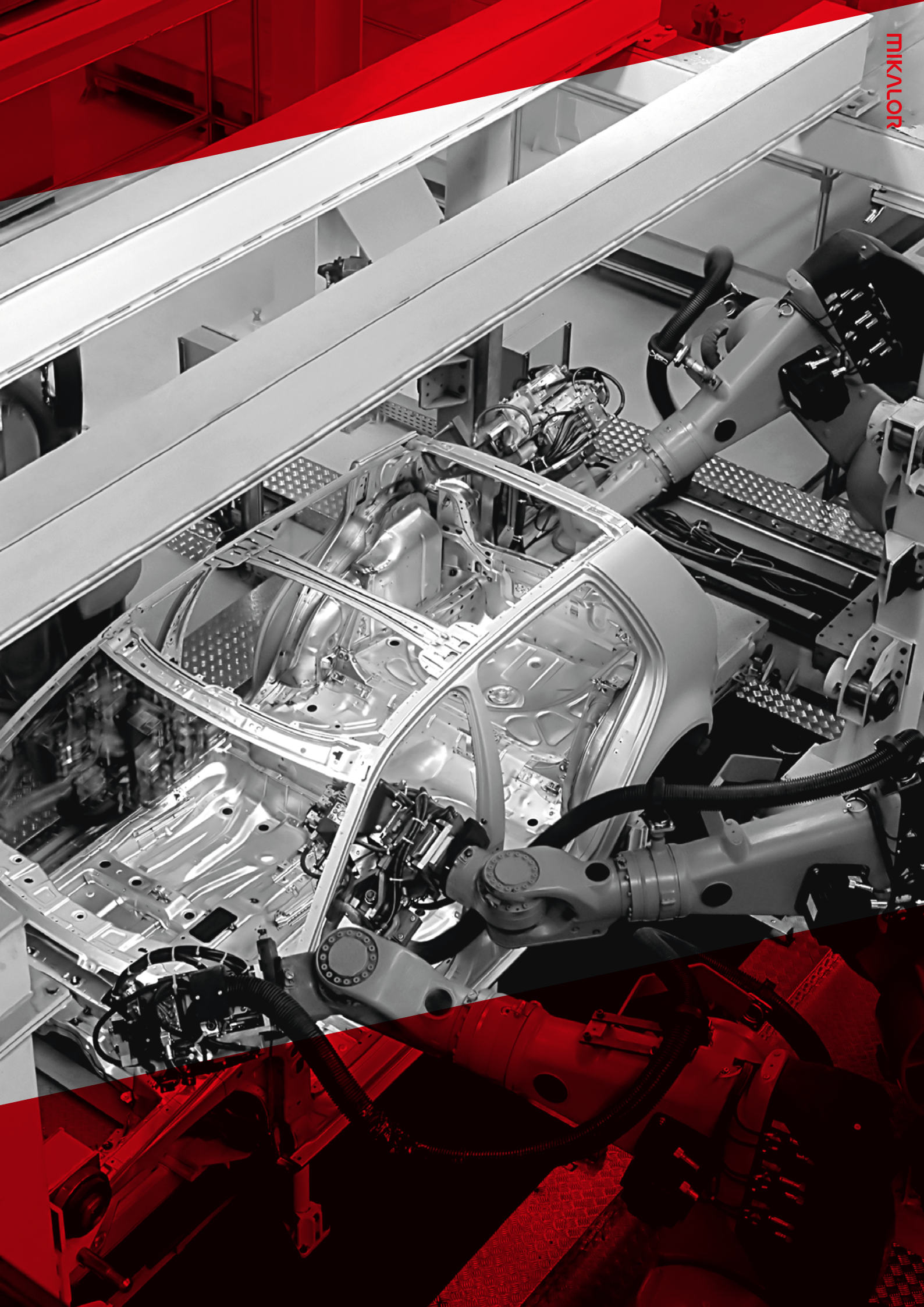
Hose Clamps and Clips

Automotive

Mikalor supplies clamps into the automotive sector, one of the most technologically advanced and automated sectors in modern industry.

Constant innovation is required in order to keep up with the pace of this highly competitive environment. The improvements to our products which result from our automotive projects are subsequently rolled out to the entire range, thereby adding a great deal of value to our business in the distribution sector.





MIKALOR



ASFA L (9 mm) Hose Clamp with Stainless Steel inner-ring (plain finish)

ASFA L hose clamps fitted with stainless steel inner-rings were designed to give extra protection to the hose especially where vibration over long periods of time is an issue.

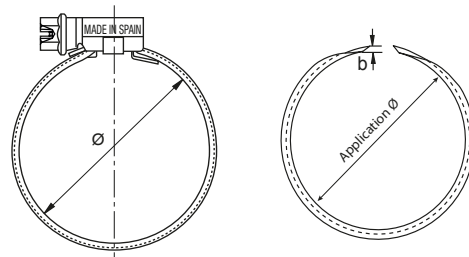
These clamps are particularly recommended for use on silicone hoses, which can easily be cut. The inner-ring fitted to the ASFA clamp prevents damage to the hose as well as distributing the pressure of the clamp evenly around the hose.

** The maximum application pressure can vary depending on the type of hose used and the geometry of the coupling.*

Application Ø	L W1	L W2	L W3	L W4	L W5	Maximum values		Box Quantity (MOQ)
						Torque (Nm)	Pressure (Bars)	
16-27	A300877-0	A301653-2	A301603-0	A301403-5	A301577-5	3,5	38	200
20-32	A300878-8	A301654-0	A301604-9	A301404-3	A301578-3	3,5	36	200
25-40	A300879-6	A301655-9	A301606-5	A301405-1	A301580-4	4	32	100
30-45	A300880-9	A301656-7	A301607-3	A301406-0	A301581-2	4	28	100
32-50	A300881-7	A301657-5	A301608-1	A301407-8	A301582-0	4	24	100
40-60	A300882-5	A301658-3	A301609-0	A301408-6	A301583-9	4	19	100
50-70	A300883-3	A301659-1	A301610-2	A301409-4	A301584-7	4	17	100
60-80	A300884-1	A301660-4	A301611-0	A301410-7	A301585-5	4	15	100
70-90	A300885-0	A301661-2	A301612-9	A301411-5	A301586-3	4	13	50
80-100	A300886-8	A301662-0	A301613-7	A301412-3	A301587-1	4	11	50
90-110	A300887-6	A301663-9	A301614-5	A301414-0	A301588-0	4	10	25
100-120	A300888-4	A301664-7	A301615-3	A301415-8	A301589-8	4	9	25
110-130	A300889-2	A301665-5	A301616-1	A301416-6	A301590-0	4	8	25
120-140	A300890-5	A301666-3	A301617-0	A301417-4	A301591-9	4	7	25
130-150	A300891-3	A301667-1	A301618-8	A301418-2	A301592-7	4	6	25
140-160	A300892-1	A301668-0	A301619-6	A301419-0	A301593-5	4	5	25

** It is recommended to apply 75% of the maximum values contained in the table.*

TECHNICAL INFORMATION	
MATERIAL CLAMP	GALVANIZED STEEL AISI-430, AISI-304, AISI-316
MATERIAL INNER-RING	STAINLESS STEEL DIN 1.4310 AISI 301
CORROSION RESIST.	According to material from 72 to 600 HOURS SALT SPRAY
MAXIMUM TIGHTENING SPEED (RPM)	540 ±5





ASFA L (9 mm) Hose Clamp with Stainless Steel inner-ring (black finish)

ASFA L hose clamps fitted with stainless steel inner-rings were designed to give extra protection to the hose especially where vibration over long periods of time is an issue.

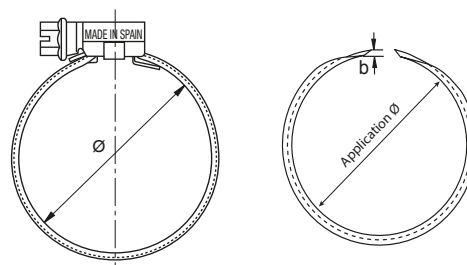
These clamps are particularly recommended for use on silicone hoses, which can easily be cut. The inner-ring fitted to the ASFA clamp prevents damage to the hose as well as distributing the pressure of the clamp evenly around the hose. The black finish is ideal for applications where the clamp is required to blend in with the rest of the assembly.

** The maximum application pressure can vary depending on the type of hose used and the geometry of the coupling.*

Application Ø	L W1	L W2	L W3	L W4	L W5	Maximum values		Box Quantity (MOQ)
						Torque (Nm)	Pressure (Bars)	
16-27	AT00877-0	AT01653-2	AT01603-0	AT01403-5	AT01577-5	3,5	38	200
20-32	AT00878-8	AT01654-0	AT01604-9	AT01404-3	AT01578-3	3,5	36	200
25-40	AT00879-6	AT01655-9	AT01606-5	AT01405-1	AT01580-4	4	32	100
30-45	AT00880-9	AT01656-7	AT01607-3	AT01406-0	AT01581-2	4	28	100
32-50	AT00881-7	AT01657-5	AT01608-1	AT01407-8	AT01582-0	4	24	100
40-60	AT00882-5	AT01658-3	AT01609-0	AT01408-6	AT01583-9	4	19	100
50-70	AT00883-3	AT01659-1	AT01610-2	AT01409-4	AT01584-7	4	17	100
60-80	AT00884-1	AT01660-4	AT01611-0	AT01410-7	AT01585-5	4	15	100
70-90	AT00885-0	AT01661-2	AT01612-9	AT01411-5	AT01586-3	4	13	50
80-100	AT00886-8	AT01662-0	AT01613-7	AT01412-3	AT01587-1	4	11	50
90-110	AT00887-6	AT01663-9	AT01614-5	AT01414-0	AT01588-0	4	10	25
100-120	AT00888-4	AT01664-7	AT01615-3	AT01415-8	AT01589-8	4	9	25
110-130	AT00889-2	AT01665-5	AT01616-1	AT01416-6	AT01590-0	4	8	25
120-140	AT00890-5	AT01666-3	AT01617-0	AT01417-4	AT01591-9	4	7	25
130-150	AT00891-3	AT01667-1	AT01618-8	AT01418-2	AT01592-7	4	6	25
140-160	AT00892-1	AT01668-0	AT01619-6	AT01419-0	AT01593-5	4	5	25

** It is recommended to apply 75% of the maximum values contained in the table.*

TECHNICAL INFORMATION	
MATERIAL CLAMP	GALVANIZED STEEL AISI-430, AISI-304, AISI-316
MATERIAL INNER-RING	STAINLESS STEEL (DIN1.4310) AISI 301. BLACK FINISHED
CORROSION RESIST.	According to material from 72 to 600 HOURS SALT SPRAY
MAXIMUM TIGHTENING SPEED (RPM)	540 ±5





ASFA S (12 mm) Hose Clamp with Stainless Steel inner-ring (plain finish)

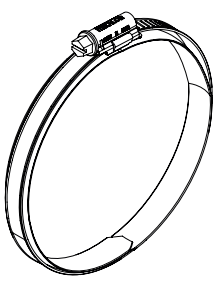
ASFA S hose clamps fitted with stainless steel inner-rings were designed to give extra protection to the hose especially where vibration over long periods of time is an issue.

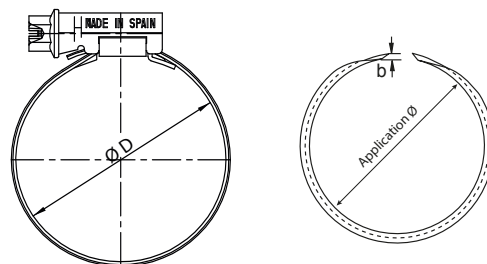
These clamps are particularly recommended for use on silicone hoses, which can easily be cut. The inner-ring fitted to the ASFA clamp prevents damage to the hose as well as distributing the pressure of the clamp evenly around the hose.

** The maximum application pressure can vary depending on the type of hose used and the geometry of the coupling.*

Application Ø	S W1	S W2	S W3	S W4	S W5	Maximum values		Box Quantity (MOQ)
						Torque (Nm)	Pressure (Bars)	
16-27	A300900-1	A301701-7	A301620-9	A301473-0	A301772-0	4,5	40	50
20-32	A300900-2	A301702-5	A301621-7	A301451-0	A301750-0	5,5	40	50
25-40	A300900-3	A301703-3	A301622-5	A301452-9	A301751-9	5,5	40	50
30-45	A300900-4	A301700-9	A301623-3	A301474-8	A301773-8	5,5	35	50
32-50	A300900-5	A301704-1	A301624-1	A301453-7	A301752-7	6,5	35	50
40-60	A300900-6	A301705-0	A301625-0	A301454-5	A301753-5	6,5	30	50
50-70	A300900-7	A301706-8	A301626-8	A301455-3	A301754-3	7	25	50
60-80	A300900-8	A301707-6	A301627-6	A301456-1	A301755-1	7	20	50
70-90	A300900-9	A301708-4	A301628-4	A301457-0	A301756-0	7	17	50
80-100	A300901-0	A301709-2	A301629-2	A301458-8	A301757-8	7	14	25
90-110	A300901-1	A301710-5	A301630-5	A301459-6	A301758-6	7	12	25
100-120	A300901-2	A301711-3	A301631-3	A301460-9	A301759-4	7	10	25
110-130	A300901-3	A301712-1	A301632-1	A301461-7	A301760-7	7	8	25
120-140	A300901-4	A301713-0	A301633-0	A301462-5	A301761-5	7	7	25
130-150	A300901-5	A301714-8	A301634-8	A301463-3	A301762-3	7	6	25
140-160	A300901-6	A301715-6	A301635-6	A301464-1	A301763-1	7	5	25
150-170	A300901-7	A301716-4	A301636-4	A301465-0	A301764-0	7	4	25
160-180	A300901-8	A301717-2	A301637-2	A301466-8	A301765-8	7	3	25
170-190	A300901-9	A301718-0	A301638-0	A301467-6	A301766-6	7	2	10
180-200	A300902-0	A301719-9	A301639-9	A301468-4	A301767-4	7	2	10
190-210	A300902-1	A301720-1	A301642-8	A301469-2	A301768-2	7	1,8	10
200-220	A300902-2	A301721-0	A301643-6	A301470-5	A301769-0	7	1,8	10
210-230	A300902-3	A301722-8	A301644-4	A301471-3	A301770-3	7	1,6	10
220-240	A300902-4	A301723-6	A301645-2	A301472-1	A301771-1	7	1,6	10

** It is recommended to apply 75% of the maximum values contained in the table.*

TECHNICAL INFORMATION	
	MATERIAL CLAMP BAND, HOUSING AND SCREW: STAINLESS STEEL SPRING INSERT: STAINLESS STEEL
	MATERIAL INNER-RING STAINLESS STEEL DIN(1.4310) AISI 301
	CORROSION RESIST. According to material from 72 to 600 HOURS SALT SPRAY
	MAXIMUM TIGHTENING SPEED (RPM) 540 ±5





ASFA S (12 mm) Hose Clamp with Stainless Steel inner-ring (black finish)

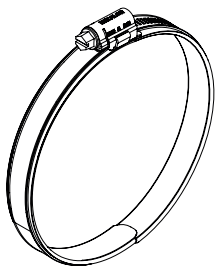
ASFA S hose clamps fitted with stainless steel inner-rings were designed to give extra protection to the hose especially where vibration over long periods of time is an issue.

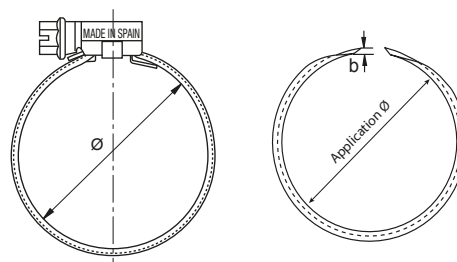
These clamps are particularly recommended for use on silicone hoses, which can easily be cut. The inner-ring fitted to the ASFA clamp prevents damage to the hose as well as distributing the pressure of the clamp evenly around the hose. The black finish is ideal for applications where the clamp is required to blend in with the rest of the assembly.

** The maximum application pressure can vary depending on the type of hose used and the geometry of the coupling.*

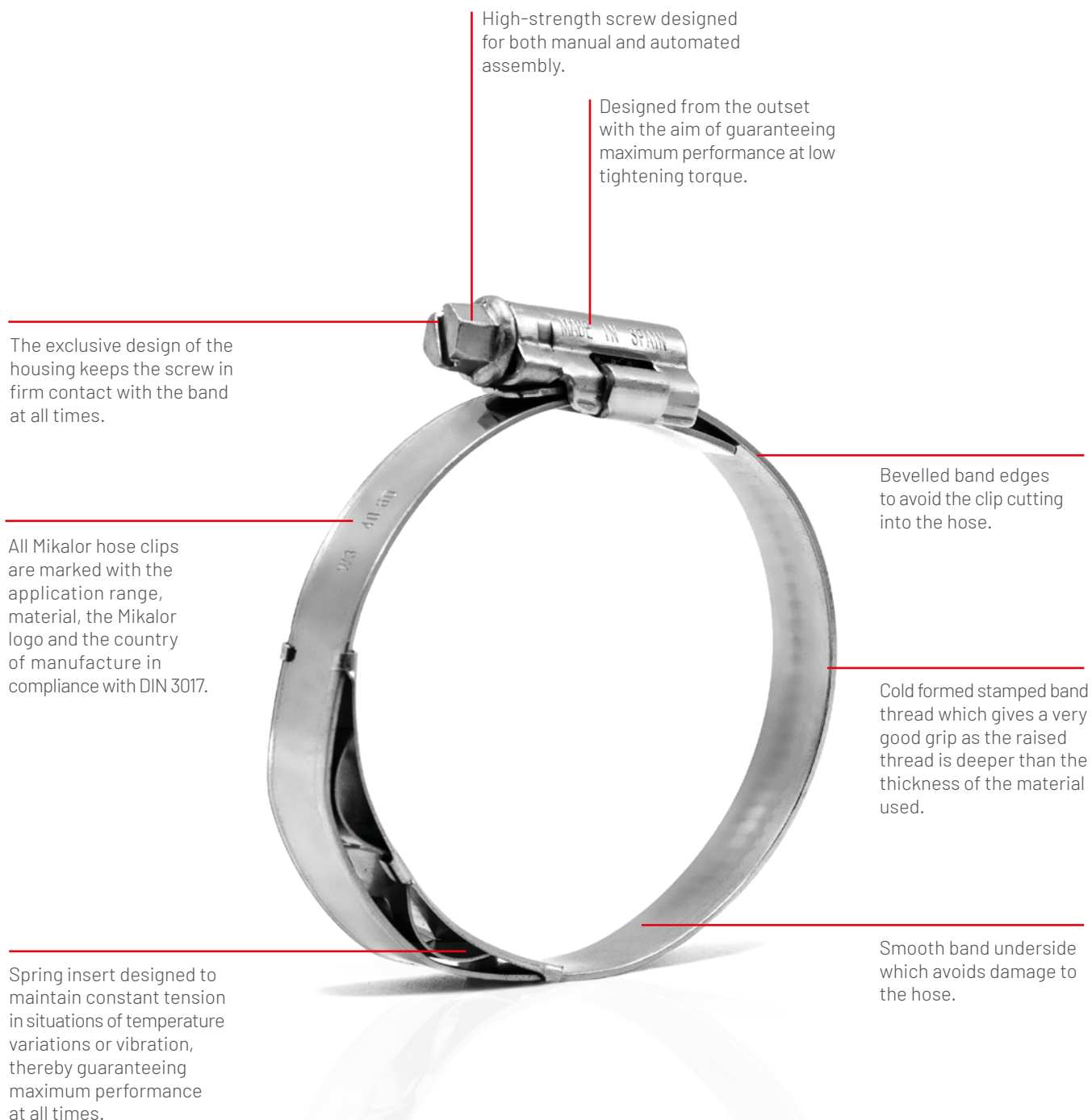
Application Ø	S W1	S W2	S W3	S W4	S W5	Maximum values		Box Quantity (MOQ)
						Torque (Nm)	Pressure (Bars)	
16-27	AT00900-1	AT01701-7	AT01620-9	AT01473-0	AT01772-0	4,5	40	50
20-32	AT00900-2	AT01702-5	AT01621-7	AT01451-0	AT01750-0	5,5	40	50
25-40	AT00900-3	AT01703-3	AT01622-5	AT01452-9	AT01751-9	5,5	40	50
30-45	AT00900-4	AT01700-9	AT01623-3	AT01474-8	AT01773-8	5,5	35	50
32-50	AT00900-5	AT01704-1	AT01624-1	AT01453-7	AT01752-7	6,5	35	50
40-60	AT00900-6	AT01705-0	AT01625-0	AT01454-5	AT01753-5	6,5	30	50
50-70	AT00900-7	AT01706-8	AT01626-8	AT01455-3	AT01754-3	7	25	50
60-80	AT00900-8	AT01707-6	AT01627-6	AT01456-1	AT01755-1	7	20	50
70-90	AT00900-9	AT01708-4	AT01628-4	AT01457-0	AT01756-0	7	17	50
80-100	AT00901-0	AT01709-2	AT01629-2	AT01458-8	AT01757-8	7	14	25
90-110	AT00901-1	AT01710-5	AT01630-5	AT01459-6	AT01758-6	7	12	25
100-120	AT00901-2	AT01711-3	AT01631-3	AT01460-9	AT01759-4	7	10	25
110-130	AT00901-3	AT01712-1	AT01632-1	AT01461-7	AT01760-7	7	8	25
120-140	AT00901-4	AT01713-0	AT01633-0	AT01462-5	AT01761-5	7	7	25
130-150	AT00901-5	AT01714-8	AT01634-8	AT01463-3	AT01762-3	7	6	25
140-160	AT00901-6	AT01715-6	AT01635-6	AT01464-1	AT01763-1	7	5	25
150-170	AT00901-7	AT01716-4	AT01636-4	AT01465-0	AT01764-0	7	4	25
160-180	AT00901-8	AT01717-2	AT01637-2	AT01466-8	AT01765-8	7	3	25
170-190	AT00901-9	AT01718-0	AT01638-0	AT01467-6	AT01766-6	7	2	10
180-200	AT00902-0	AT01719-9	AT01639-9	AT01468-4	AT01767-4	7	2	10
190-210	AT00902-1	AT01720-1	AT01642-8	AT01469-2	AT01768-2	7	1,8	10
200-220	AT00902-2	AT01721-0	AT01643-6	AT01470-5	AT01769-0	7	1,8	10
210-230	AT00902-3	AT01722-8	AT01644-4	AT01471-3	AT01770-3	7	1,6	10
220-240	AT00902-4	AT01723-6	AT01645-2	AT01472-1	AT01771-1	7	1,6	10

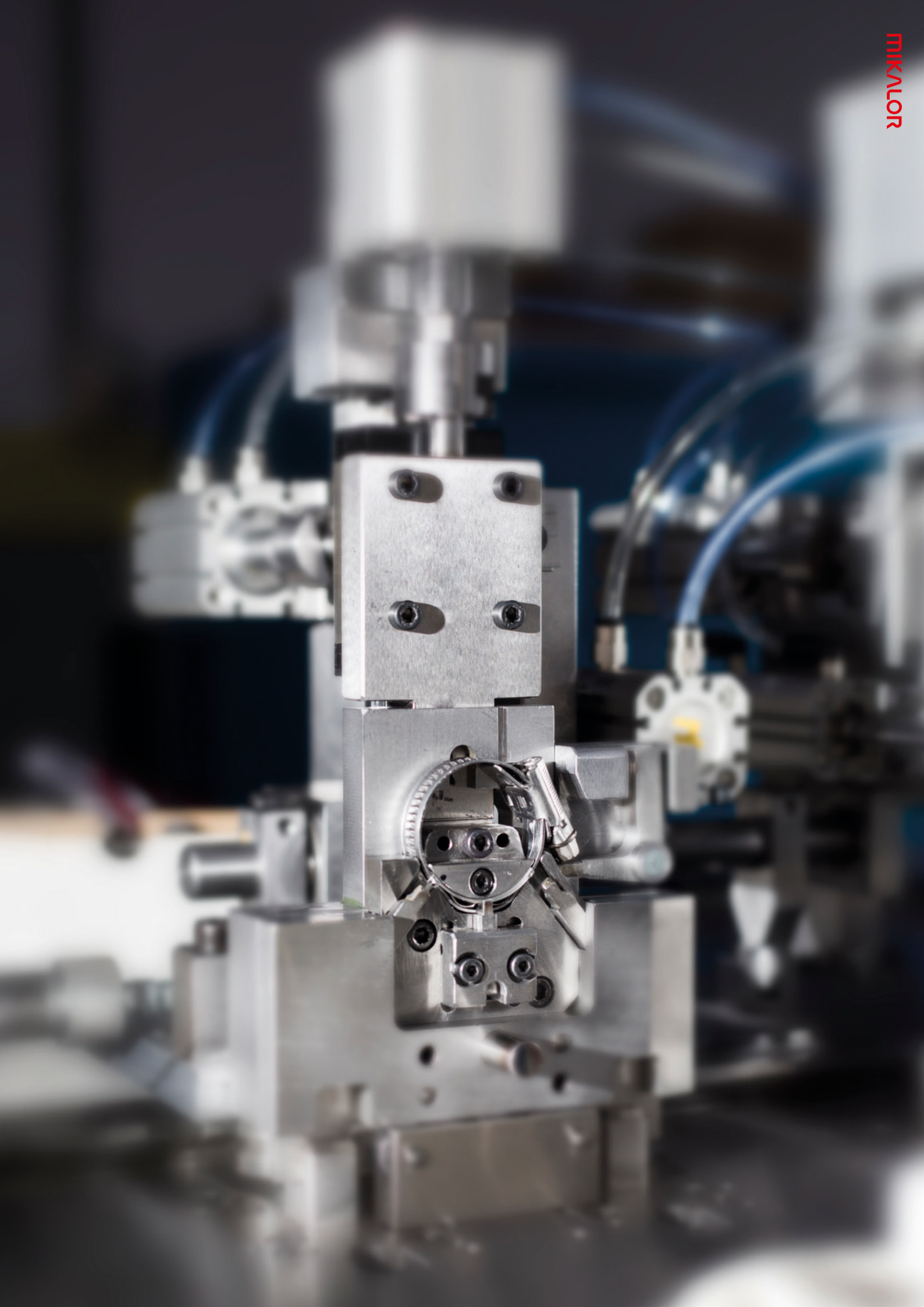
** It is recommended to apply 75% of the maximum values contained in the table.*

	TECHNICAL INFORMATION	
	MATERIAL CLAMP	BAND, HOUSING AND SCREW: STAINLESS STEEL SPRING INSERT: STAINLESS STEEL
	MATERIAL INNER-RING	STAINLESS STEEL (DIN 1.4310) AISI 301 BLACK FINISHED
	CORROSION RESIST.	According to material from 72 to 600 HOURS SALT SPRAY
MAXIMUM TIGHTENING SPEED (RPM)	540 ±5	



ASFA S-PRO (12 mm) Constant Tension





ASFA L (9 mm) Constant Tension



9mm bandwidth Constant Tension worm-drive clips are designed to be used primarily in the automotive sector. The main advantage of this clip over the standard Mikalor worm drive is to be found in the spring-loaded insert, fitted on a semi-circular support to the inside of the band.

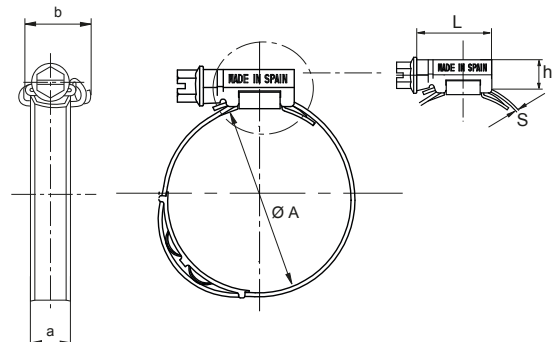
The use of this spring-loaded insert guarantees constant pressure around the hose and the optimum performance of the clamp in case of variations in temperature, pressure or vibration. For this reason, constant tension worm-drive clips are used mainly with tubes or hoses carrying hot air or on engine refrigeration systems, as clamps used in these applications are subject to expansion and contraction due to frequent changes in temperature. ASFA L CT worm-drive clips are manufactured entirely from stainless steel, thereby ensuring good corrosion resistance. The complete range complies fully with the Directive EU 20032/95/EC.

** The maximum application pressure can vary depending on the type of hose used and the geometry of the coupling.*

Nominal Ø									Maximum values		Box Quantity (MOQ)	Outer Packing
	A	L W3	L W4	L max.	S +0,10	h max.	a +0,3 a -0,1	b max.	Torque (Nm)	Pressure (Bars)		
16-27	0301794-9	0301796-9	23,6	0,75	10,5	9	14	3	30	50	400	
20-32	0301795-0	0301797-0	23,6	0,75	10,5	9	14	3,5	36	50	400	
25-40	0301795-1	0301797-1	25,6	0,75	10,5	9	14	3,5	32	50	400	
30-45	0301795-2	0301797-2	25,6	0,75	10,5	9	14	3,5	28	50	400	
32-50	0301795-3	0301797-3	25,6	0,75	10,5	9	14	4	24	50	200	
40-60	0301795-4	0301797-4	25,6	0,75	10,5	9	14	4	19	50	400	
50-70	0301795-5	0301797-5	29,6	0,75	10,5	9	14	4	17	50	400	
60-80	0301795-6	0301797-6	29,6	0,75	10,5	9	14	4	15	50	50	
70-90	0301795-7	0301797-7	29,6	0,75	10,5	9	14	4	13	50	50	
80-100	0301795-8	0301797-8	29,6	0,75	10,5	9	14	4	11	25	200	
90-110	0301795-9	0301797-9	29,6	0,75	10,5	9	14	4	10	25	200	
100-120	0301796-0	0301798-0	29,6	0,75	10,5	9	14	4	9	25	200	
110-130	0301796-1	0301798-1	29,6	0,75	10,5	9	14	4	8	25	200	

** It is recommended to apply 75% of the maximum values contained in the table.*

TECHNICAL INFORMATION	
MATERIAL	W3: AISI-430 W4: AISI 304
FINISH	STAINLESS STEEL
CORROSION RESIST.	W3: 200 HOURS SALT SPRAY (ASTM B-117) W4: 400 HOURS SALT SPRAY (ASTM B-117)
MAXIMUM TIGHTENING SPEED (RPM)	540 ±5



ASFA S-PRO (12 mm) Constant Tension



W3

W4

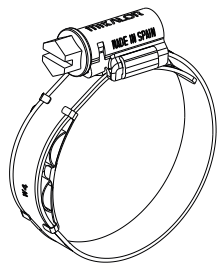
12mm bandwidth Constant Tension worm-drive clips are designed to be used primarily in the automotive sector. The main advantage of this clip over the standard Mikalor worm drive is to be found in the spring-loaded insert, fitted on a semi-circular support to the inside of the band.

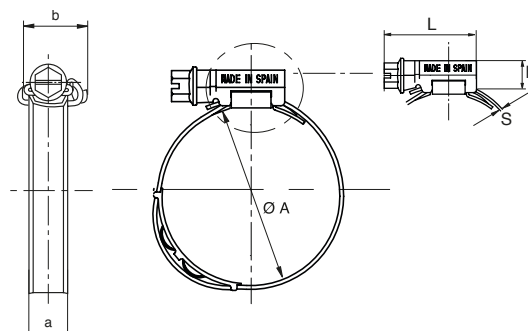
The use of this spring-loaded insert guarantees constant pressure around the hose and the optimum performance of the clamp in case of variations in temperature, pressure or vibration. For this reason, constant tension worm-drive clips are used mainly with tubes or hoses carrying hot air or on engine refrigeration systems, as clamps used in these applications are subject to expansion and contraction due to frequent changes in temperature. ASFA S CT worm-drive clips are manufactured entirely from stainless steel, thereby ensuring good corrosion resistance. The complete range complies fully with the Directive EU 20032/95/EC.

** The maximum application pressure can vary depending on the type of hose used and the geometry of the coupling.*

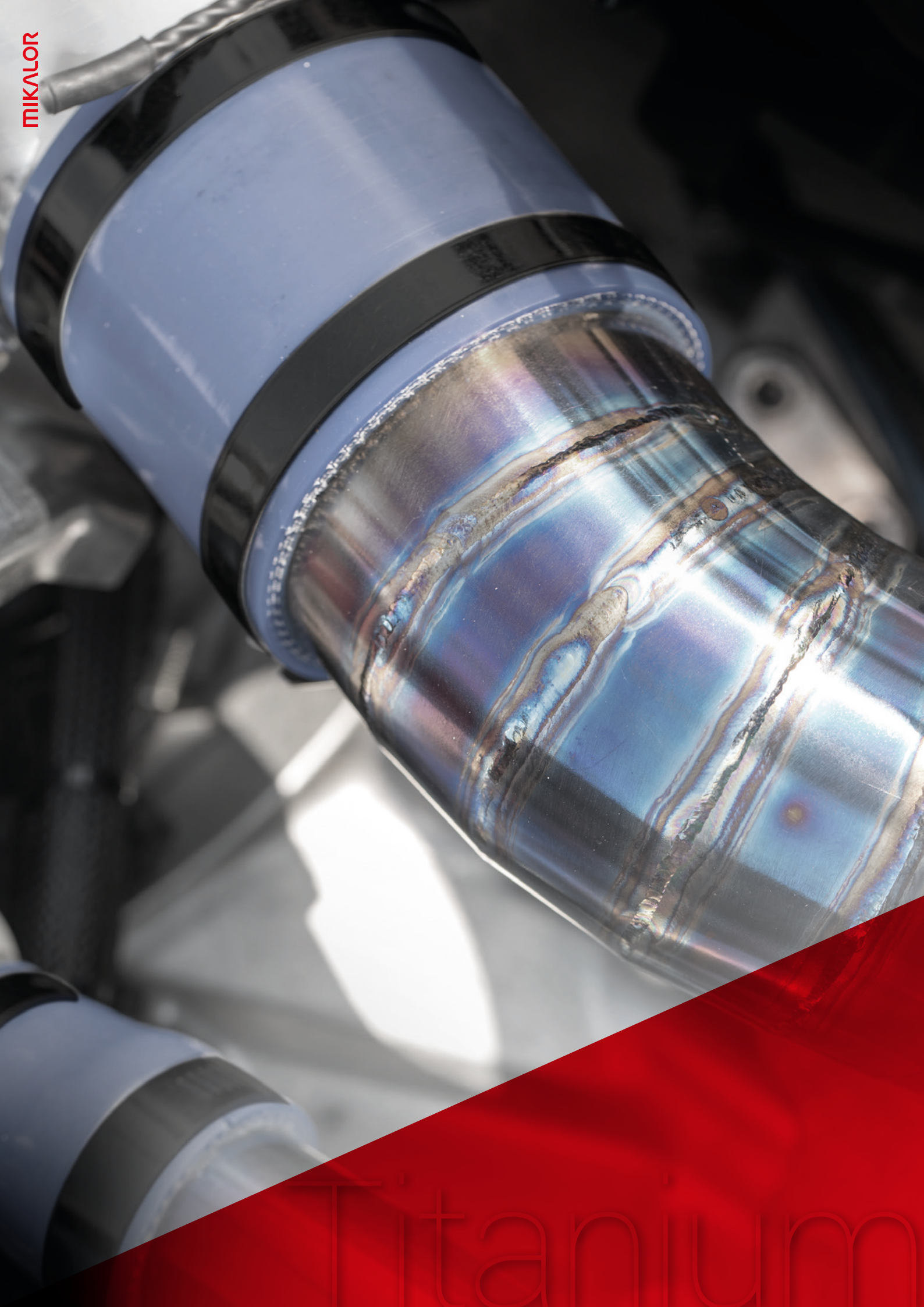
Nominal Ø	A	S W3	S W4	L max.	S +0,10	h max.	a +0,3 a -0,2	b max.	Maximum values		Box Quantity (MOQ)	Outer Packing
									Torque (Nm)	Pressure (Bars)		
16-27	0301780-0	0301792-9	29,6	0,8	11	12,2	16,7	4,5	40	50	400	
20-32	0301781-8	0301793-0	29,6	0,8	11	12,2	16,7	5,5	47	50	400	
25-40	0301782-6	0301793-1	29,6	0,8	11	12,2	16,7	5,5	42	50	400	
30-45	0301783-4	0301793-2	29,6	0,8	11	12,2	16,7	5,5	37	50	400	
32-50	0301784-2	0301793-3	29,6	0,8	11	12,2	16,7	6,3	37	50	200	
40-60	0301785-0	0301793-4	29,6	0,8	11	12,2	16,7	6,3	32	50	400	
50-70	0301786-9	0301793-5	31,6	0,8	11	12,2	16,7	7	27	50	400	
60-80	0301787-7	0301793-6	31,6	0,8	11	12,2	16,7	7	22	50	50	
70-90	0301788-5	0301793-7	31,6	0,8	11	12,2	16,7	7	18	50	50	
80-100	0301789-3	0301793-8	31,6	0,8	11	12,2	16,7	7	15	25	200	
90-110	0301790-6	0301793-9	31,6	0,8	11	12,2	16,7	7	13	25	200	
100-120	0301791-4	0301794-0	31,6	0,8	11	12,2	16,7	7	11	25	200	
110-130	0301792-2	0301794-1	31,6	0,8	11	12,2	16,7	7	9	25	200	

** It is recommended to apply 75% of the maximum values contained in the table.*

	TECHNICAL INFORMATION	
	MATERIAL	W3: AISI-430 W4: AISI 304
	FINISH	STAINLESS STEEL
	CORROSION RESIST.	W3: 200 HOURS SALT SPRAY (ASTM B-117) W4: 400 HOURS SALT SPRAY (ASTM B-117)
	MAXIMUM TIGHTENING SPEED (RPM)	540 ±5



MIKALOR



Titanium

ASFA S-PRO (12mm) TITANIUM



Ti

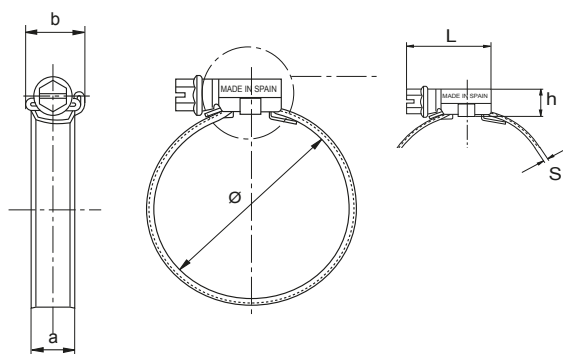
The fact that this clamp is manufactured entirely in titanium, combined with the innovative design of the housing and the 12mm bandwidth means that this clamp gives the best comparative weight, performance and corrosion-resistance ratio of any worm-drive clip in the world. We use revolutionary manufacturing processes in order to manufacture dimensions ranging from 16-27mm up to 220-240mm. Due to the exceptional characteristics of this clamp (much lighter than steel and exceptionally corrosion-resistant) it is suitable for use in high performance automotive applications, offshore, aeronautics and in the chemical industry, especially in applications involving acids. Each clamp is subject to individual quality control before packing.

Conforms to all current EU directives and norms.

** The maximum application pressure can vary depending on the type of hose used and the geometry of the coupling.*

Application Ø										
mm	Part nº	L max.	S +0,10	h max.	a +0,4 a -0,2	b max.	Maximum values		Box Quantity (M00)	Outer Packing
							Torque (Nm)	Pressure (Bars)		
16-27	0300950-2	29,6	1	11	12,2	18	5	47	1	20
20-32	0300951-0	29,6	1	11	12,2	18	6	47	1	20
25-40	0300952-9	29,6	1	11	12,2	18	6	42	1	20
30-45	0300953-7	29,6	1	11	12,2	18	6	37	1	20
32-50	0300954-5	29,6	1	11	12,2	18	7	37	1	20
40-60	0300955-3	29,6	1	11	12,2	18	7	32	1	20
50-70	0300956-1	29,6	1	11	12,2	18	7,5	26	1	20
60-80	0300957-0	29,6	1	11	12,2	18	7,5	21	1	20
70-90	0300958-8	29,6	1	11	12,2	18	7,5	18	1	20
80-100	0300959-6	29,6	1	11	12,2	18	7,5	15	1	20
90-110	0300960-9	29,6	1	11	12,2	18	7,5	13	1	20
100-120	0300961-7	29,6	1	11	12,2	18	7,5	11	1	20
110-130	0300962-5	29,6	1	11	12,2	18	7,5	8,5	1	20
120-140	0300963-3	29,6	1	11	12,2	18	7,5	7,4	1	20
130-150	0300964-1	31,6	1	11	12,2	18	7,5	6,3	1	20
140-160	0300965-0	31,6	1	11	12,2	18	7,5	5,3	1	20
150-170	0300966-8	31,6	1	11	12,2	18	7,5	4,2	1	20
160-180	0300967-6	31,6	1	11	12,2	18	7,5	3,2	1	20
170-190	0300968-4	31,6	1	11	12,2	18	7,5	2,1	1	20
180-200	0300969-2	31,6	1	11	12,2	18	7,5	2,1	1	20
190-210	0300970-5	31,6	1	11	12,2	18	7,5	1,9	1	20
200-220	0300971-3	31,6	1	11	12,2	18	7,5	1,9	1	20
210-230	0300972-1	31,6	1	11	12,2	18	7,5	1,7	1	20
220-240	0300973-0	31,6	1	11	12,2	18	7,5	1,7	1	20

TECHNICAL INFORMATION	
MATERIAL	TITANIUM ASTM B-348
FINISH	PTFE-BLACK
MAXIMUM TIGHTENING SPEED (RPM)	540 ±5







ASFA Hose Clamp with Anti-Rotation Hole

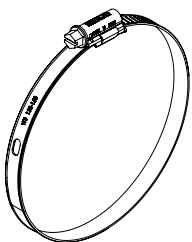
With the aim of minimising costs on the assembly line, particularly in the automotive sector, Mikalor has developed an ASFA clamp incorporating a pre-positioning hole in the band. This clamp works at the same tightening torque and guarantees the same performance as the standard range. The position of the hole in the band matches exactly that of the counter part in the assembly, allowing the clamp to be safely and accurately pre-positioned for tightening when required. Moreover, the hole can be located in the most suitable place in the band for final assembly.

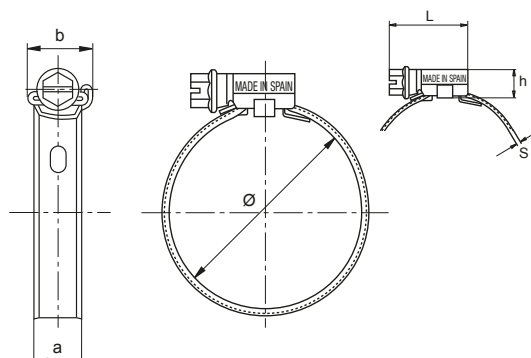
* *Design, number of holes and position according to customer specifications.*

* *The maximum application pressure can vary depending on the type of hose used and the geometry of the coupling.*

a	Application Ø mm	Part nº W3	Part nº W4	L	S +0,1	H max.	b max.	Maximum values		Box Quantity (MOQ)
								Torque (Nm)	Pressure (Bars)	
L (9 mm)	25-40	PDT2540PER-W3L	PDT2540PER-W4L	25,6	0,7	10	14	4	32	100
	30-45	PDT3045PER-W3L	PDT3045PER-W4L	25,6	0,7	10	14	4	28	100
	32-50	PDT3250PER-W3L	PDT3250PER-W4L	25,6	0,7	10	14	4	24	100
	40-60	PDT4060PER-W3L	PDT4060PER-W4L	25,6	0,7	10	14	4	19	100
	50-70	PDT5070PER-W3L	PDT5070PER-W4L	29,6	0,7	10	14	4	17	100
	60-80	PDT6080PER-W3L	PDT6080PER-W4L	29,6	0,7	10	14	4	15	100
	70-90	PDT7090PER-W3L	PDT7090PER-W4L	29,6	0,7	10	14	4	13	50
	80-100	PDT80100PER-W3L	PDT80100PER-W4L	29,6	0,7	10	14	4	11	50
	90-110	PDT90110PER-W3L	PDT90110PER-W4L	29,6	0,7	10	14	4	10	50
	100-120	PDT100120PER-W3L	PDT100120PER-W4L	29,6	0,7	10	14	4	9	50
	110-130	PDT110130PER-W3L	PDT110130PER-W4L	29,6	0,7	10	14	4	8	50
120-140	PDT120140PER-W3L	PDT120140PER-W4L	29,6	0,7	10	14	4	87	50	
S (12 mm)	25-40	PDT2540PER-W3S	PDT2540PER-W4S	29,6	0,85	11	16,7	5,5	40	50
	30-45	PDT3045PER-W3S	PDT3045PER-W4S	29,6	0,85	11	16,7	5,5	35	50
	32-50	PDT3250PER-W3S	PDT3250PER-W4S	29,6	0,85	11	16,7	6,5	35	50
	40-60	PDT4060PER-W3S	PDT4060PER-W4S	29,6	0,85	11	16,7	6,5	30	50
	50-70	PDT5070PER-W3S	PDT5070PER-W4S	29,6	0,85	11	16,7	7	25	50
	60-80	PDT6080PER-W3S	PDT6080PER-W4S	29,6	0,85	11	16,7	7	20	50
	70-90	PDT7090PER-W3S	PDT7090PER-W4S	29,6	0,85	11	16,7	7	17	50
	80-100	PDT80100PER-W3S	PDT80100PER-W4S	29,6	0,85	11	16,7	7	14	25
	90-110	PDT90110PER-W3S	PDT90110PER-W4S	29,6	0,85	11	16,7	7	12	25
	100-120	PDT100120PER-W3S	PDT100120PER-W4S	29,6	0,85	11	16,7	7	10	25
	110-130	PDT110130PER-W3S	PDT110130PER-W4S	34,6	0,85	11	16,7	7	8	25
	120-140	PDT120140PER-W3S	PDT120140PER-W4S	34,6	0,85	11	16,7	7	7	25
	130-150	PDT130150PER-W3S	PDT130150PER-W4S	34,6	0,85	11	16,7	7	6	25
140-160	PDT140160PER-W3S	PDT140160PER-W4S	34,6	0,85	11	16,7	7	5	25	

* *It is recommended to apply 75% of the maximum values contained in the table.*

	TECHNICAL INFORMATION	
	MATERIAL	W3: AISI -430 W4: AISI -304
	FINISH	STAINLESS STEEL
	CORROSION RESISTANCE	W3: 200 HOURS SALT SPRAY (ASTM B-117) W4: 400 HOURS SALT SPRAY (ASTM B-117)
	MAXIMUM TIGHTENING SPEED (RPM)	540 ±5







ASFA Hose Clamp with Anti-Rotation Notch

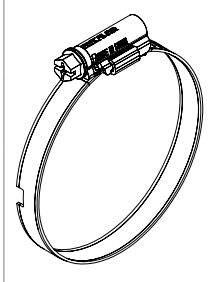
With the aim of minimising costs on the assembly line, particularly in the automotive sector, Mikalor has developed an ASFA clamp incorporating a pre-positioning notch in the band. This clamp works at the same tightening torque and guarantees the same performance as the standard range. The position of the notch in the band matches exactly that of the counter part in the assembly, allowing the clamp to be safely and accurately pre-positioned for tightening when required. Moreover, the notch can be located in the most suitable place in the band for final assembly.

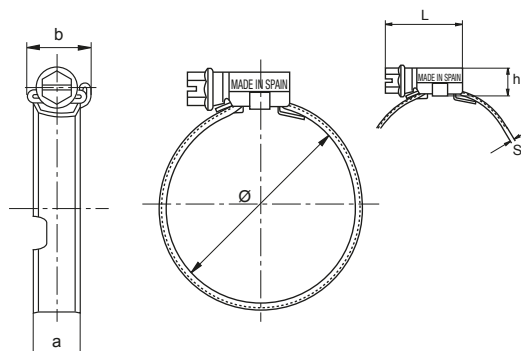
* Design, number of notches and position according to customer specifications.

* The maximum application pressure can vary depending on the type of hose used and the geometry of the coupling.

a	Application Ø mm	Part nº W3	Part nº W4	L	S+0,1	H max.	b max.	Maximum values		Box Quantity (MOQ)
								Torque (Nm)	Pressure (Bars)	
L (9mm)	25-40	PDT2540TAL-W3L	PDT2540TAL-W4L	25,6	0,7	10	14	4	32	100
	30-45	PDT3045TAL-W3L	PDT3045TAL-W4L	25,6	0,7	10	14	4	28	100
	32-50	PDT3250TAL-W3L	PDT3250TAL-W4L	25,6	0,7	10	14	4	24	100
	40-60	PDT4060TAL-W3L	PDT4060TAL-W4L	25,6	0,7	10	14	4	19	100
	50-70	PDT5070TAL-W3L	PDT5070TAL-W4L	29,6	0,7	10	14	4	17	100
	60-80	PDT6080TAL-W3L	PDT6080TAL-W4L	29,6	0,7	10	14	4	15	100
	70-90	PDT7090TAL-W3L	PDT7090TAL-W4L	29,6	0,7	10	14	4	13	50
	80-100	PDT80100TAL-W3L	PDT80100TAL-W4L	29,6	0,7	10	14	4	11	50
	90-110	PDT90110TAL-W3L	PDT90110TAL-W4L	29,6	0,7	10	14	4	10	50
	100-120	PDT100120TAL-W3L	PDT100120TAL-W4L	29,6	0,7	10	14	4	9	50
	110-130	PDT110130TAL-W3L	PDT110130TAL-W4L	29,6	0,7	10	14	4	8	50
120-140	PDT120140TAL-W3L	PDT120140TAL-W4L	29,6	0,7	10	14	4	87	50	
S (12mm)	25-40	PDT2540TAL-W3S	PDT2540TAL-W4S	29,6	0,85	11	16,7	5,5	40	50
	30-45	PDT3045TAL-W3S	PDT3045TAL-W4S	29,6	0,85	11	16,7	5,5	35	50
	32-50	PDT3250TAL-W3S	PDT3250TAL-W4S	29,6	0,85	11	16,7	6,5	35	50
	40-60	PDT4060TAL-W3S	PDT4060TAL-W4S	29,6	0,85	11	16,7	6,5	30	50
	50-70	PDT5070TAL-W3S	PDT5070TAL-W4S	29,6	0,85	11	16,7	7	25	50
	60-80	PDT6080TAL-W3S	PDT6080TAL-W4S	29,6	0,85	11	16,7	7	20	50
	70-90	PDT7090TAL-W3S	PDT7090TAL-W4S	29,6	0,85	11	16,7	7	17	50
	80-100	PDT80100TAL-W3S	PDT80100TAL-W4S	29,6	0,85	11	16,7	7	14	25
	90-110	PDT90110TAL-W3S	PDT90110TAL-W4S	29,6	0,85	11	16,7	7	12	25
	100-120	PDT100120TAL-W3S	PDT100120TAL-W4S	29,6	0,85	11	16,7	7	10	25
	110-130	PDT110130TAL-W3S	PDT110130TAL-W4S	34,6	0,85	11	16,7	7	8	25
	120-140	PDT120140TAL-W3S	PDT120140TAL-W4S	34,6	0,85	11	16,7	7	7	25
	130-150	PDT130150TAL-W3S	PDT130150TAL-W4S	34,6	0,85	11	16,7	7	6	25
140-160	PDT140160TAL-W3S	PDT140160TAL-W4S	34,6	0,85	11	16,7	7	5	25	

* It is recommended to apply 75% of the maximum values contained in the table.

	TECHNICAL INFORMATION	
	MATERIAL	W3: AISI -430 W4: AISI -304
	FINISH	STAINLESS STEEL
	CORROSION RESISTANCE	W3: 200 HOURS SALT SPRAY (ASTM B-117) W4: 400 HOURS SALT SPRAY (ASTM B-117)
MAXIMUM TIGHTENING SPEED (RPM)	540 ±5	



ASFA Hose Clamp with Pre-Assembly Clip

DIN 3017

Designed for both manual and automated assembly.

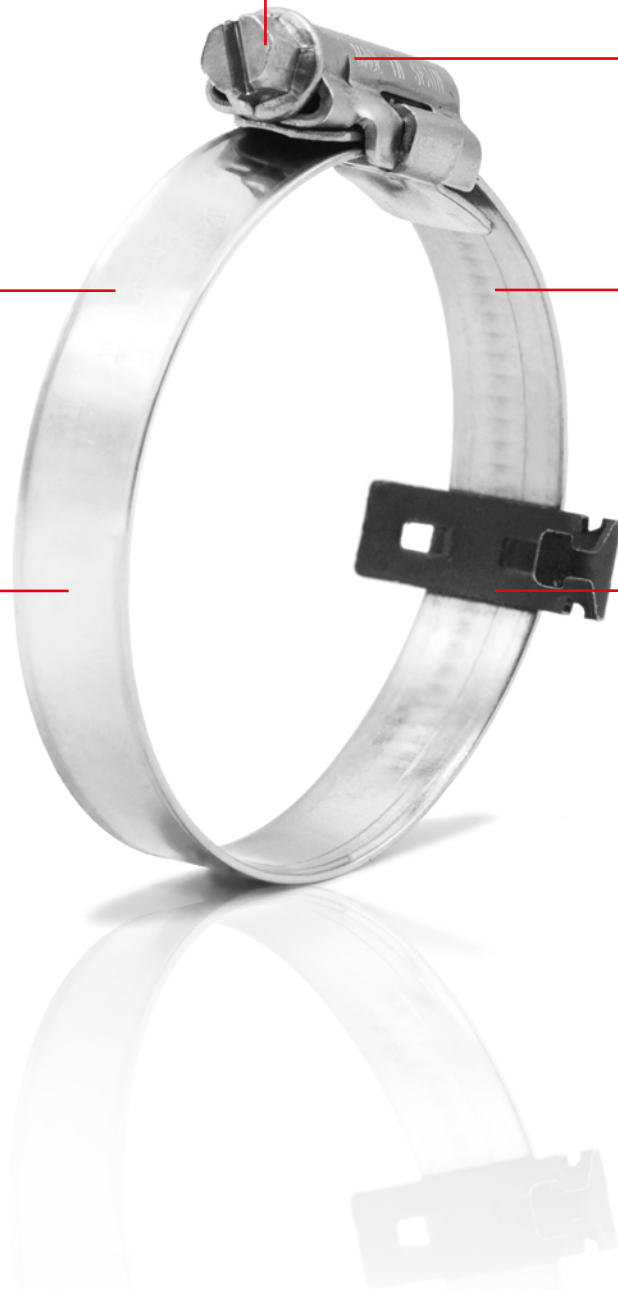
Designed from the outset with the aim of guaranteeing maximum performance at low tightening torque.

Bevelled band edges to avoid the clip cutting into the hose.

Cold formed stamped band thread which gives a very good grip as the raised thread is deeper than the thickness of the material used.

Smooth band underside which avoids damage to the hose.

The exclusive design of the pre-assembly clip allows the band to move freely once the clip has been attached to the hose. This feature prevents loss of tightening torque and guarantees 100% performance.





ASFA Hose Clamp with Pre-Assembly Clip

With the aim of saving time and increasing productivity on the assembly line, Mikalor has developed the only clamp of its kind capable of guaranteeing the same tightening torque values and the same performance as a standard clamp. Thanks to its exclusive design, the pre-assembly clip can be fitted to the clamp and later attached to the hose without any loss of functionality, tightening torque or reduction in performance. Another new feature of our pre-positioning system is that the clip can also be fixed to the hose using adhesive. This is the only pre-assembly system which guarantees that the hose is not damaged when the clamp is tightened.

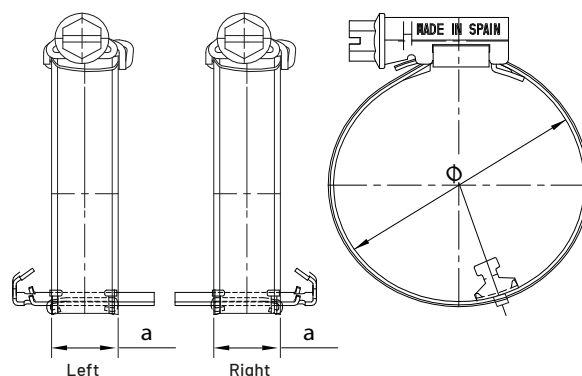
** Special dimensions and positioning of the clip according to customer requirements are available on request.*

** The maximum application pressure can vary depending on the type of hose used and the geometry of the coupling.*

a	Application Ø mm	Part nº W3		Part nº W4		Maximum values		Box Quantity (MOQ)
		Right	Left	Right	Left	Torque (Nm)	Pressure (Bars)	
L (9mm)	16-27	0304600-1	0304700-1	0304800-1	0304900-1	3,5	40	50
	20-32	0304600-2	0304700-2	0304800-2	0304900-2	3,5	36	50
	25-40	0304600-3	0304700-3	0304800-3	0304900-3	4	32	50
	30-45	0304600-4	0304700-4	0304800-4	0304900-4	4	28	50
	32-50	0304600-5	0304700-5	0304800-5	0304900-5	4	24	50
	40-60	0304600-6	0304700-6	0304800-6	0304900-6	4	19	25
	45-65	0304600-7	0304700-7	0304800-7	0304900-7	4	17	25
	50-70	0304600-8	0304700-8	0304800-8	0304900-8	4	17	25
	55-75	0304600-9	0304700-9	0304800-9	0304900-9	4	17	25
	60-80	0304601-0	0304701-0	0304801-0	0304901-0	4	15	25
	65-85	0304601-1	0304701-1	0304801-1	0304901-1	4	13	25
	70-90	0304601-2	0304701-2	0304801-2	0304901-2	4	13	25
	75-95	0304601-3	0304701-3	0304801-3	0304901-3	4	11	25
	80-100	0304601-4	0304701-4	0304801-4	0304901-4	4	11	25
S (12mm)	16-27	0305100-1	0305200-1	0305300-1	0305400-1	4,5	40	50
	20-32	0305100-2	0305200-2	0305300-2	0305400-2	5,5	40	50
	25-40	0305100-3	0305200-3	0305300-3	0305400-3	5,5	40	50
	30-45	0305100-4	0305200-4	0305300-4	0305400-4	5,5	35	50
	32-50	0305100-5	0305200-5	0305300-5	0305400-5	6,5	35	50
	40-60	0305100-6	0305200-6	0305300-6	0305400-6	6,5	30	50
	45-65	0305100-7	0305200-7	0305300-7	0305400-7	6,5	25	50
	50-70	0305100-8	0305200-8	0305300-8	0305400-8	7	20	50
	55-75	0305100-9	0305200-9	0305300-9	0305400-9	7	20	50
	60-80	0305101-0	0305201-0	0305301-0	0305401-0	7	20	50
	65-85	0305101-1	0305201-1	0305301-1	0305401-1	7	17	50
	70-90	0305101-2	0305201-2	0305301-2	0305401-2	7	17	50
	75-95	0305101-3	0305201-3	0305301-3	0305401-3	7	14	50
	80-100	0305101-4	0305201-4	0305301-4	0305401-4	7	14	25

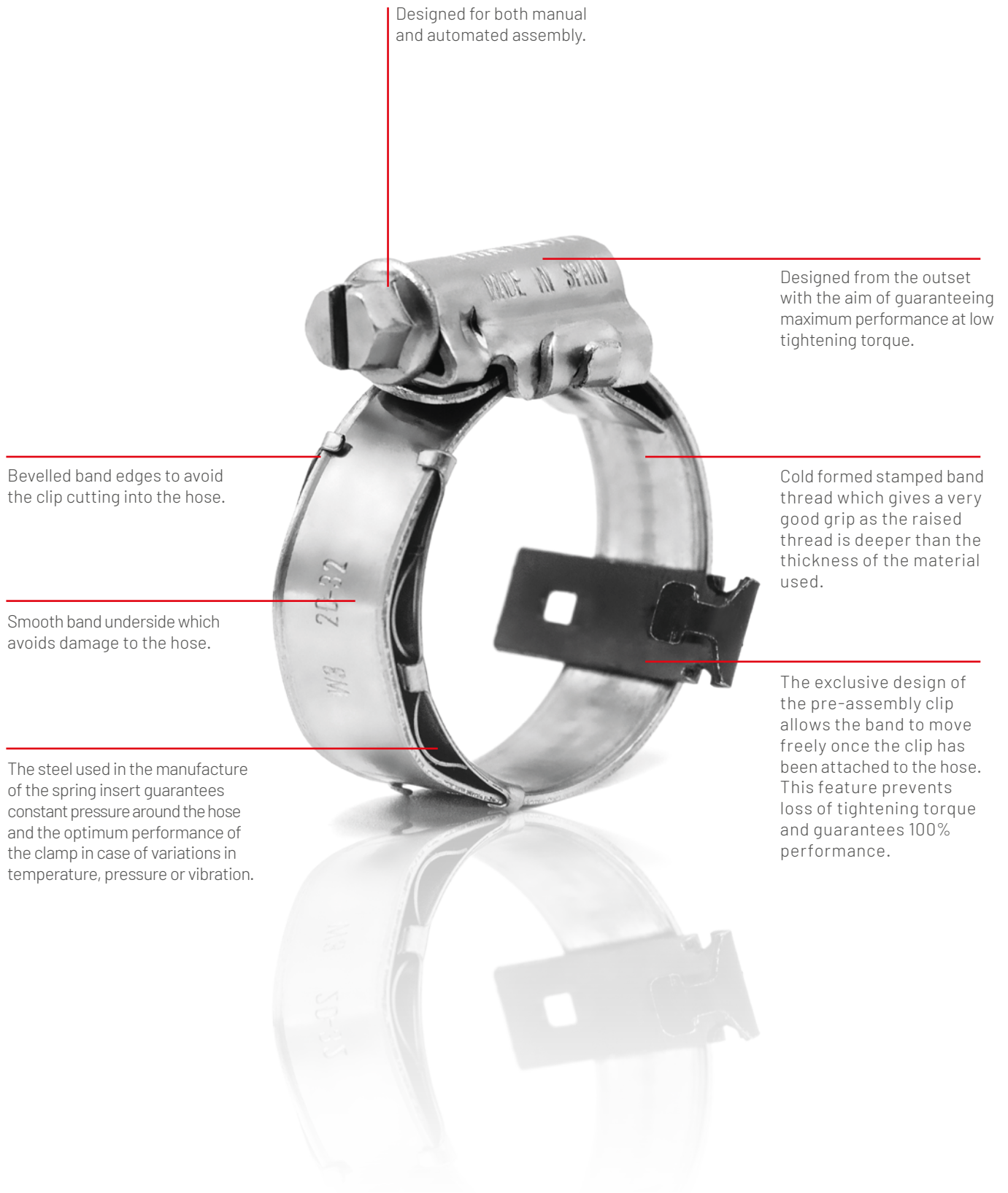
** It is recommended to apply 75% of the maximum values contained in the table.*

TECHNICAL INFORMATION	
MATERIAL	BAND, HOUSING AND CLIP: STAINLESS STEEL (AISI-304)-W4 (AISI-430)-W3
FINISH	CLIP: DELTA SEAL BLACK
CORROSION RESISTANCE	ACCORDING TO MATERIAL USED W3 OR W4
MAXIMUM TIGHTENING SPEED (RPM)	540 ±5



ASFA Constant Tension Hose Clamp with Pre-Assembly Clip

DIN 3017



Designed for both manual and automated assembly.

Designed from the outset with the aim of guaranteeing maximum performance at low tightening torque.

Bevelled band edges to avoid the clip cutting into the hose.

Cold formed stamped band thread which gives a very good grip as the raised thread is deeper than the thickness of the material used.

Smooth band underside which avoids damage to the hose.

The exclusive design of the pre-assembly clip allows the band to move freely once the clip has been attached to the hose. This feature prevents loss of tightening torque and guarantees 100% performance.

The steel used in the manufacture of the spring insert guarantees constant pressure around the hose and the optimum performance of the clamp in case of variations in temperature, pressure or vibration.



ASFA Constant Tension Hose Clamp with Pre-Assembly Clip

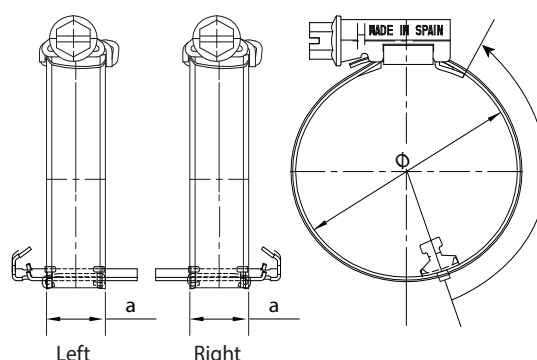
With the aim of saving time and increasing productivity on the assembly line, Mikalor has developed the only clamp of its kind capable of guaranteeing the same tightening torque values and the same performance as a standard clamp. Thanks to its exclusive design, the pre-assembly clip can be fitted anywhere onto the clamp and later attached to the hose without any loss of functionality, tightening torque or reduction in performance. Another advantage of our pre-positioning system is that it is 100% compatible with the use of a spring insert. The clip can also be fixed to the hose using adhesive, thereby guaranteeing that the hose is not damaged when the clamp is tightened.

** The maximum application pressure can vary depending on the type of hose used and the geometry of the coupling.*

a	Application Ø mm	Part nº W3		Part nº W4		Maximum values		Box Quantity (MOQ)
		Right	Left	Right	Left	Torque (Nm)	Pressure (Bars)	
L (9 mm)	16-27	0305500-1	0305600-1	0305700-1	0305800-1	3,5	40	50
	20-32	0305500-2	0305600-2	0305700-2	0305800-2	3,5	36	50
	25-40	0305500-3	0305600-3	0305700-3	0305800-3	4	32	50
	30-45	0305500-4	0305600-4	0305700-4	0305800-4	4	28	50
	32-50	0305500-5	0305600-5	0305700-5	0305800-5	4	24	50
	40-60	0305500-6	0305600-6	0305700-6	0305800-6	4	19	25
	45-65	0305500-7	0305600-7	0305700-7	0305800-7	4	17	25
	50-70	0305500-8	0305600-8	0305700-8	0305800-8	4	17	25
	55-75	0305500-9	0305600-9	0305700-9	0305800-9	4	17	25
	60-80	0305501-0	0305601-0	0305701-0	0305801-0	4	15	25
	65-85	0305501-1	0305601-1	0305701-1	0305801-1	4	13	25
	70-90	0305501-2	0305601-2	0305701-2	0305801-2	4	13	25
	75-95	0305501-3	0305601-3	0305701-3	0305801-3	4	11	25
	80-100	0305501-4	0305601-4	0305701-4	0305801-4	4	11	25
S (12 mm)	16-27	0305900-1	0306100-1	0306200-1	0306300-1	4,5	40	50
	20-32	0305900-2	0306100-2	0306200-2	0306300-2	5,5	40	50
	25-40	0305900-3	0306100-3	0306200-3	0306300-3	5,5	40	50
	30-45	0305900-4	0306100-4	0306200-4	0306300-4	5,5	35	50
	32-50	0305900-5	0306100-5	0306200-5	0306300-5	6,5	35	50
	40-60	0305900-6	0306100-6	0306200-6	0306300-6	6,5	30	50
	45-65	0305900-7	0306100-7	0306200-7	0306300-7	6,5	25	50
	50-70	0305900-8	0306100-8	0306200-8	0306300-8	7	20	50
	55-75	0305900-9	0306100-9	0306200-9	0306300-9	7	20	50
	60-80	0305901-0	0306101-0	0306201-0	0306301-0	7	20	50
	65-85	0305901-1	0306101-1	0306201-1	0306301-1	7	17	50
	70-90	0305901-2	0306101-2	0306201-2	0306301-2	7	17	50
	75-95	0305901-3	0306101-3	0306201-3	0306301-3	7	14	50
	80-100	0305901-4	0306101-4	0306201-4	0306301-4	7	14	25

** It is recommended to apply 75% of the maximum values contained in the table.*

	TECHNICAL INFORMATION	
	MATERIAL	W3: AISI-430 W4: AISI-304
	FINISH	STAINLESS STEEL
	CORROSION RESISTANCE	W3: 200 HOURS SALT SPRAY (ASTM B-117) W4: 400 HOURS SALT SPRAY (ASTM B-117)
MAXIMUM TIGHTENING SPEED (RPM)	540 ± 5	





W4

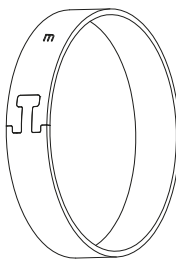
T-Form Multi-Crimp Ring

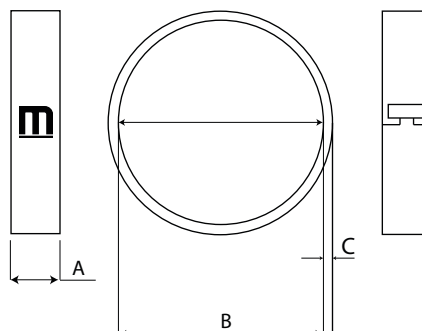
The T-Form Multi-Crimp Ring is manufactured in such a way as to remain perfectly circular when pressure is applied to it, ensuring a tight fit. These rings are used above all in series production. This is a reliable, durable and economical option which is tamper-proof once assembled. Compression rings are used to ensure a perfect assembly of hose and coupling. Once the ring has been selected which is closest to the outer diameter of the hose or tube in question, the ring is compressed or swaged using a special tool which reduces its diameter by up to 3mm until it fits snugly in the application.

Application	Part n°		b $\pm 0,5$	c $+0,2 -0,1$	Box Quantity (MOQ)
mm	A: 7 mm	A: 10 mm			
16,5-19,5	6303608-5	7303608-5	20	1,2	200
17,5-20,5	6303610-6	7303610-6	21	1,2	200
18,5-21,5	6303612-7	7303612-7	22	1,2	200
19,5-22,5	6303614-8	7303614-8	23	1,2	200
20,5-23,5	6303616-9	7303616-9	24	1,2	200
20,5-24,5	6303618-0	7303618-0	25	1,2	200
21,5-25,5	6303620-1	7303620-1	26	1,2	200
22,5-26,5	6303622-2	7303622-2	27	w1,2	200
23,5-27,5	6303624-3	7303624-3	28	1,2	200
24,5-28,5	6303626-4	7303626-4	29	1,2	200
25,5-29,5	6303628-5	7303628-5	30	1,2	200
25,5-30,5	6303630-6	7303630-6	31	1,2	200
26,5-31,5	6303632-7	7303632-7	32	1,2	200
27,5-32,5	6303634-8	7303634-8	33	1,2	200
28,5-33,5	6303636-9	7303636-9	34	1,2	200
29,5-34,5	6303638-0	7303638-0	35	1,2	200
30,5-35,5	6303640-1	7303640-1	36	1,2	200
31,5-36,5	6303642-2	7303642-2	37	1,2	200
32,5-37,5	6303644-3	7303644-3	38	1,2	200
33,5-38,5	6303646-4	7303646-4	39	1,2	200
34,5-39,5	6303648-5	7303648-5	40	1,2	200
35,5-40,5	6303650-1	7303650-1	41	1,2	200
36,5-41,5	6303652-3	7303652-3	42	1,2	200

* This product can be manufactured up to a maximum diameter of 60 mm.

* Special dimensions can be manufactured on request.

	TECHNICAL INFORMATION	
	MATERIAL	STAINLESS STEEL (DIN 1.4301) AISI-304
	FINISH	STAINLESS STEEL
	CORROSION RESISTANCE	400 HOURS SALT SPRAY (ATSM B-117)
	STAMPED	8-SECTOR DYNAMOMETER



Tubular Multi-Crimp Ring



W4

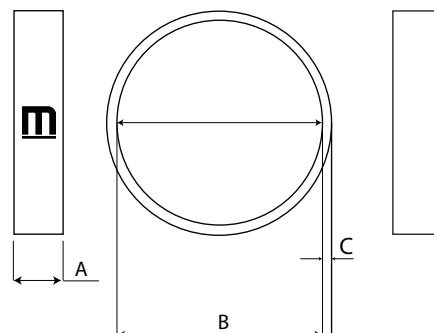
The Tubular Multi Crimp Ring is manufactured from one piece of steel without welds or rivet. This ring is used above all in series production and guarantees an excellent assembly. This is a reliable, durable and economical option which is tamper-proof once assembled. Compression rings are used to ensure a perfect assembly of hose and coupling. Once the ring has been selected which is closest to the outer diameter of the hose or tube in question, the ring is compressed or swaged using a special tool which reduces its diameter by up to 3mm until it fits snugly in the application.

Application	Part n°		b ±0,5	c +0,2 -0,1	Box Quantity (MOQ)
mm	A: 7 mm	A: 10 mm			
16,5-19,5	5303608-5	4303608-5	20	1,2	200
17,5-20,5	5303610-6	4303610-6	21	1,2	200
18,5-21,5	5303612-7	4303612-7	22	1,2	200
19,5-22,5	5303614-8	4303614-8	23	1,2	200
20,5-23,5	5303616-9	4303616-9	24	1,2	200
20,5-24,5	5303618-0	4303618-0	25	1,2	200
21,5-25,5	5303620-1	4303620-1	26	1,2	200
22,5-26,5	5303622-2	4303622-2	27	1,2	200
23,5-27,5	5303624-3	4303624-3	28	1,2	200
24,5-28,5	5303626-4	4303626-4	29	1,2	200
25,5-29,5	5303628-5	4303628-5	30	1,2	200
25,5-30,5	5303630-6	4303630-6	31	1,2	200
26,5-31,5	5303632-7	4303632-7	32	1,2	200
27,5-32,5	5303634-8	4303634-8	33	1,2	200
28,5-33,5	5303636-9	4303636-9	34	1,2	200
29,5-34,5	5303638-0	4303638-0	35	1,2	200
30,5-35,5	5303640-1	4303640-1	36	1,2	200
31,5-36,5	5303642-2	4303642-2	37	1,2	200
32,5-37,5	5303644-3	4303644-3	38	1,2	200
33,5-38,5	5303646-4	4303646-4	39	1,2	200
34,5-39,5	5303648-5	4303648-5	40	1,2	200

* This product can be manufactured up to a maximum diameter of 60 mm.

* Special dimensions can be manufactured on request.

	TECHNICAL INFORMATION	
	MATERIAL	STAINLESS STEEL (DIN 1.4301) AISI-304
	FINISH	STAINLESS STEEL
	CORROSION RESISTANCE	400 HOURS SALT SPRAY (ASTM B-117)
	STAMPED	8-SECTOR DYNAMOMETER



Accessories and Tools

As in the case of most fasteners, tools are needed in order to assemble Hose Clamps correctly.

In some cases, manual household tools are suitable, however in other cases more specialized tools are required in order to ensure that the clamp or clip is correctly installed.





Stainless Steel Inner-Ring for ASFA L 9mm Hose Clamps

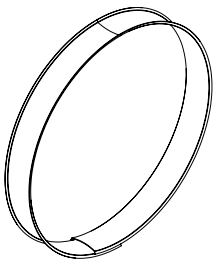


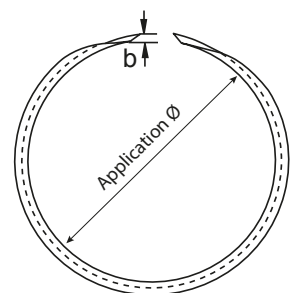
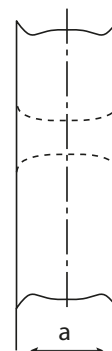
W4

This inner-ring for the ASFA L worm-drive clip with 9mm bandwidth was designed to give extra protection to the hose, especially where it comes into contact with the underside of the clamp housing.

Inner-rings are particularly recommended for use with silicone hoses which are quite fragile and can be cut easily. The inner-ring ensures a good fit, prevents damage to the hose and also contributes to an even distribution of pressure around the hose.

Application Ø						
mm	Stainless steel code	Black code	a +0,5	b	Box Quantity (MOQ)	Outer Packing
16-27	0303103-4	7303103-1	13,5	0,25	200	800
20-32	0303104-2	7303104-0	13,5	0,25	200	800
25-40	0303105-0	7303105-8	13,5	0,25	100	800
30-45	0303106-9	7303106-6	13,5	0,25	100	800
32-50	0303107-7	7303107-4	13,5	0,25	100	800
40-60	0303108-5	7303108-2	13,5	0,25	100	400
50-70	0303109-3	7303109-0	13,5	0,25	100	100
60-80	0303110-6	7303110-3	13,5	0,25	100	100
70-90	0303111-4	7303111-1	13,5	0,25	50	400
80-100	0303112-2	7303112-0	13,5	0,25	50	400
90-110	0303113-0	7303113-8	13,5	0,25	25	200
100-120	0303114-9	7303114-6	13,5	0,25	25	200
110-130	0303115-7	7303115-4	13,5	0,25	25	25
120-140	0303116-5	7303116-2	13,5	0,25	25	25
130-150	0303117-3	7303117-0	13,5	0,25	25	25
140-160	0303118-1	7303118-9	13,5	0,25	25	25

	TECHNICAL INFORMATION	
	MATERIAL	AISI 301
	FINISH	BLACK / STAINLESS STEEL
	CORROSION RESISTANCE	400 HOURS SALT SPRAY (ASTMB-117)



Stainless Steel Inner-Ring for ASFA S (12mm) Hose Clamps



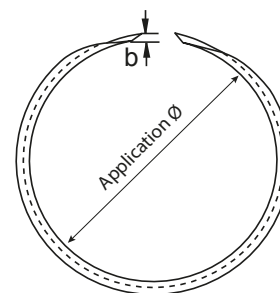
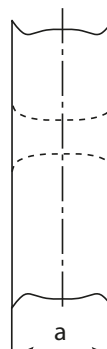
W4

This inner-ring for ASFA S worm-drive clip with 12mm bandwidth was designed to give extra protection to the hose, especially where it comes into contact with the underside of the clamp housing.

Inner-rings are particularly recommended for use with silicone hoses which are quite fragile and can be cut easily. The inner-ring ensures a good fit, prevents damage to the hose and also contributes to an even distribution of pressure around the hose.

Application Ø						
mm	Stainless steel code	Black code	a +0,5	b	Box Quantity (MOQ)	Outer Packing
16-27	0303121-0	7303121-8	16,5	0,25	100	400
20-32	0303122-8	7303122-6	16,5	0,25	100	400
25-40	0303123-6	7303123-4	16,5	0,25	100	400
30-45	0303124-4	7303124-2	16,5	0,25	100	400
32-50	0303125-2	7303125-0	16,5	0,25	100	100
40-60	0303126-0	7303126-9	16,5	0,25	100	100
50-70	0303127-9	7303127-7	16,5	0,25	100	100
60-80	0303128-7	7303128-5	16,5	0,25	100	100
70-90	0303129-5	7303129-3	16,5	0,25	50	400
80-100	0303130-9	7303130-6	16,5	0,25	50	50
90-110	0303131-7	7303131-4	16,5	0,25	25	200
100-120	0303132-5	7303132-2	16,5	0,25	25	200
110-130	0303133-3	7303133-0	16,5	0,25	25	25
120-140	0303134-1	7303134-9	16,5	0,25	25	25
130-150	0303135-0	7303135-7	16,5	0,25	25	25
140-160	0303136-8	7303136-5	16,5	0,25	25	25
150-170	0303137-6	7303137-3	16,5	0,25	25	25
160-180	0303138-4	7303138-1	16,5	0,25	25	25
170-190	0303139-2	7303139-0	16,5	0,25	10	10
180-200	0303140-5	7303140-2	16,5	0,25	10	10
190-210	0303141-3	7303141-0	16,5	0,25	10	10
200-220	0303142-1	7303142-9	16,5	0,25	10	10
210-230	0303143-0	7303143-7	16,5	0,25	10	10
220-240	0303144-8	7303144-5	16,5	0,25	10	10

	TECHNICAL INFORMATION	
	MATERIAL	AISI 301
	FINISH	BLACK / STAINLESS STEEL
	CORROSION RESISTANCE	400HOURS SALT SPRAY (ASTMB-117)





Thumb Screw for ASFA L and S worm-drive clamps

Worm-drive clamps can be fitted relatively tightly, easily and quickly using this Thumb Screw, without the need for tools. Once the clamp has been tightened, the thumb screw can be removed. Manufactured in durable red plastic.

Application Ø	Width Screw (mm)	Part n°	Box Quantity (M00)	Outer Packing
All Ø available ASFA L and S	7	0217046-1	100	1.000



Safety Cap for ASFA L and S worm-drive clamps

These Safety Caps for worm-drive hose clamps are a practical and quickly assembled solution which prevent injuries by protecting the band end. They are manufactured in two different colours which help to determine the material quality of the clamps: (Red: W1 and W2 - Blue: W3, W4 and W5).

Bandwidth	Part n°	Colour	Box Quantity (M00)	Outer Packing
9 mm (L)	0217040-1	RED	100	1.000
9 mm (L)	0217041-1	BLUE	100	1.000
12 mm (S)	0217044-1	RED	100	1.000
12 mm (S)	0217045-1	BLUE	100	1.000



Safety Collar for ASFA L and S worm-drive clamps

The Safety Collar is an ideal solution which prevents the screwdriver from slipping out of the slot in the screw while tightening. It is easy to assemble and extremely useful. The slot is easily accessible while the collar helps to hold the screwdriver in place. Available in two colours, red and blue, which help to identify the material quality of the clamp: (Red: W1 and W2 - Blue: W3, W4 and W5).

Application Ø	Part n°	Colour	Box Quantity (M00)	Outer Packing
All Ø available ASFA L and S	0217037-1	RED	100	1.000
All Ø available ASFA L and S	0217038-0	BLUE	100	1.000



Side and front-closing Ear Clip Pincers

This model was designed to be used in application zones which are difficult to access. It can be used both frontally and laterally.

Article	Part n°	Box Quantity (MOQ)	Outer Packing
Side and front-closing Ear Clip Pincers	0301109-6	1	1



Front-closing Ear Clip Pincers

These pincers can be used to fasten all types of ear clip. The front-closing model is the most popular type and is used in most ear-clip assemblies. It is also known as the "Russian" model

Article	Part n°	Box Quantity (MOQ)	Outer Packing
Front-closing ear clip pincers	0301108-8	1	1



Clip Clamp Pliers

Manual pincers for all types of Clip Clamp.

Article	Part n°	Box Quantity (MOQ)	Outer Packing
Clip Clamp Pliers	0303039-0	1	1



Pliers for DIN 3021 Heavy-Duty Spring band Clip

Assembly tool for the DIN 3021 heavy-duty spring band clip. These pliers were specially designed in order to grip the DIN 3021 clip firmly during assembly.

Article	Part n°	Box Quantity (M00)	Outer Packing
Pliers for Din 3021	0303149-9	1	1



Application tool for Stainless Steel Cable Ties

Cable Tie Gun for the assembly of stainless-steel cable ties. It incorporates a function which regulates tension in the band and cuts off the band end automatically after tightening.

Article	Part n°	Box Quantity (M00)	Outer Packing
Application tool	0300201-5	1	12



Pneumatic tool for Clip Clamp

Pneumatic pliers for use with the complete range of Clip Clamps. Ideal for use on assembly lines. Working pressure: 5 bars. Total weight: 650grs.

Article	Part n°	Box Quantity (MOQ)	Outer Packing
Pneumatic tool	0303040-2	1	12



Hex-Socket Flexidriver

We supply a wide range of hex-socket screwdrivers. The 7mm version is ideal for tightening Mikalor ASFA clamps.

Article	Part n°	Box Quantity (MOQ)	Outer Packing
3	0309105-2	12	36
5	0309101-0	12	36
7	0309103-6	12	36
9	0309108-7	12	36
10	0309109-5	12	36
11	0309110-8	12	36
12	0309111-6	12	36
13	0309112-4	12	36

Hose Clamps for **Self-Service Display Racks and Sales Counters**

With the aim of making it easy to display our clamps at the point of sale, Mikalor has developed a complete range of display units which help the consumer to choose the product required quickly and efficiently. We have also developed a series of packing options which are ideal for display racks and sales counters.







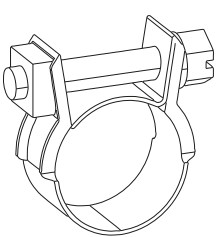
“Normal” Mini Clip Blister Pack

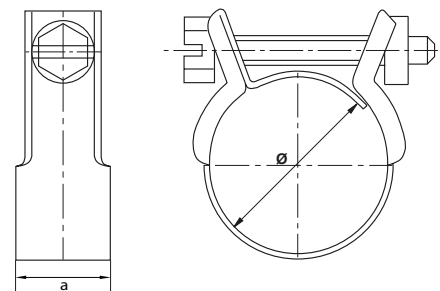
The Mikalor “Normal” Mini Clip is also available in a sealed plastic blister pack which guarantees that the product is both well-presented and protected. This packing option is ideal for sales points as it allows for self-service, meaning that the customer can avoid unnecessary waits.

** The maximum application pressure can vary depending on the type of hose used and the geometry of the coupling.*

“Normal” Miniclip							
Part n°	Article	Application Ø	Width	Maximum values		Units/Blister	Blister/Packing
				Torque (Nm)	Pressure (Bars)		
B301056-0	“Normal” Miniclip 12-13	12-13	10	1	12,5	6	20
B301058-7	“Normal” Miniclip 14-15	14-15	10	1	12	6	20
B301059-5	“Normal” Miniclip 15-17	15-17	10	1	12	6	20
B301060-8	“Normal” Miniclip 16-18	16-18	10	1	11	6	20
B301063-2	“Normal” Miniclip 20-22	20-22	10	1	10	6	20

** It is recommended to apply 75% of the maximum values contained in the table.*

	TECHNICAL INFORMATION	
	MATERIAL	BAND: STEEL ST3 K32 (EN10215) SCREW: STEEL GRADE 6 NUT: STEEL GRADE 6
	FINISH	GREY-WHITE CR3 ZINC-PLATED
	CORROSION RESISTANCE	72 HOURS SALT SPRAY (ASTM B-117)





ASFA L (9 mm) Blister Pack

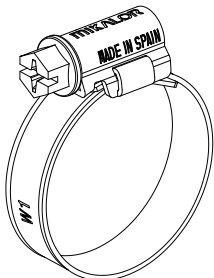
The ASFA L hose clamp is also available in a sealed plastic blister pack which guarantees that the product is both well-presented and protected. Two material qualities are available in blister packs, galvanized Steel (W1) and AISI 316 stainless steel. The packs contain 2, 4 and 6 units depending on the dimension of the clamps. This packing option is ideal for sales points as it allows for self-service and also incorporates full product information meaning that the customer can avoid unnecessary waits.

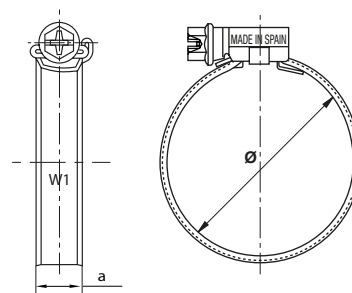
** The maximum application pressure can vary depending on the type of hose used and the geometry of the coupling.*

ASFA W1							
Part nº	Article	Application Ø	Width	Maximum values		Units/Blister	Blister/Packing
				Torque (Nm)	Pressure (Bars)		
B300875-3	ASFA-L W1 8-16	8-16	9	3,0	40	6	20
B300876-1	ASFA-L W1 12-22	12-22	9	3,0	40	6	20
B300877-0	ASFA-L W1 16-27	16-27	9	3,5	38	4	20
B300878-8	ASFA-L W1 20-32	20-32	9	3,5	36	4	20
B300879-6	ASFA-L W1 25-40	25-40	9	4,0	32	2	20
B300880-9	ASFA-L W1 30-45	30-45	9	4,0	28	2	20
B300881-7	ASFA-L W1 32-50	32-50	9	4,0	24	2	20
B300882-5	ASFA-L W1 40-60	40-60	9	4,0	19	2	20

ASFA W5							
Part nº	Article	Application Ø	Width	Maximum values		Units/Blister	Blister/Packing
				Torque (Nm)	Pressure (Bars)		
B301575-9	ASFA-L W5 8-16	8-16	9	3,0	40	6	20
B301576-7	ASFA-L W5 12-22	12-22	9	3,0	40	6	20
B301577-5	ASFA-L W5 16-27	16-27	9	3,5	38	4	20
B301578-3	ASFA-L W5 20-32	20-32	9	3,5	36	4	20
B301580-4	ASFA-L W5 25-40	25-40	9	4,0	32	2	20
B301581-2	ASFA-L W5 30-45	30-45	9	4,0	28	2	20
B301582-0	ASFA-L W5 32-50	32-50	9	4,0	24	2	20
B301583-9	ASFA-L W5 40-60	40-60	9	4,0	19	2	20

** It is recommended to apply 75% of the maximum values contained in the table.*

TECHNICAL INFORMATION	
	MATERIAL BAND AND HOUSING: GALVANIZED STEEL (EN 10292) SCREW: STEEL Øst 36-3 (DIN 1.0213)
	FINISH W1: GALVANIZED STEEL W5: STAINLESS STEEL AISI 316
	CORROSION RESISTANCE W1: 144 HOURS SALT SPRAY W5: 1000 HOURS SALT SPRAY (ASTM B-117)
	MAXIMUM TIGHTENING SPEED (RPM) 540 ±5





ASFA L (9 mm) Hose Clamps in plastic bags

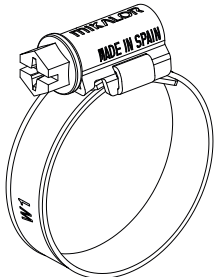
This new presentation was designed for shops with a self-service display area. The customers can see and touch the product before purchase. This format is ideal for customers who need only a small quantity of clamps. All bags are stamped with the Mikalor logo and are easily identifiable.

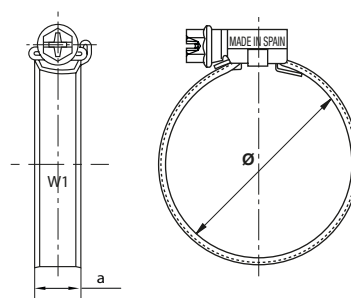
** The maximum application pressure can vary depending on the type of hose used and the geometry of the coupling.*

W1

Application Ø mm	Part nº	a +0,5 a -0,2	Maximum values		Units/bag	Quantity bags/ packing	Box Quantity (units)
			Torque (Nm)	Pressure (Bars)			
8-16	03008753B0	9	3,0	40	5	40	200
12-22	03008761B0	9	3,0	40	5	40	200
16-27	03008770B0	9	3,5	38	5	40	200
20-32	03008788B0	9	3,5	36	5	40	200
25-40	03008796B0	9	4,0	32	5	20	100
30-45	03008809B0	9	4,0	28	5	20	100
32-50	03008817B0	9	4,0	24	5	20	100
40-60	03008825B0	9	4,0	19	5	20	100
50-70	03008833B0	9	4,0	17	5	20	100

** It is recommended to apply 75% of the maximum values contained in the table.*

TECHNICAL INFORMATION	
	MATERIAL BAND AND HOUSING: GALVANIZED STEEL (EN 10292) SCREW: STEEL Qst 36-3 (DIN 1.0213)
	FINISH BAND AND HOUSING: GALVANIZED STEEL SCREW: GREY-WHITE Cr3 ZINC-PLATED
	CORROSION RESISTANCE 144 HOURS SALT SPRAY (ASTM B-117)
	MAXIMUM TIGHTENING SPEED (RPM) 540 ±5





SUPRA Hose Clamps in plastic bags

This new presentation was designed for shops with a self-service display area. The customers can see and touch the product before purchase. This format is ideal for customers who need only a small quantity of clamps. All bags are stamped with the Mikalor logo and are easily identifiable.

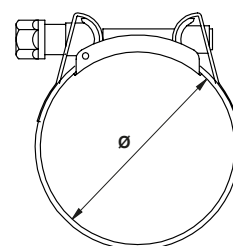
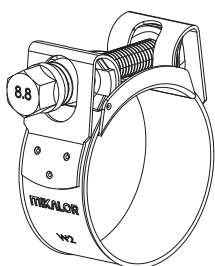
** The maximum application pressure can vary depending on the type of hose used and the geometry of the coupling.*

W2

Application Ø mm	Part nº	a	Maximum values		Units/bag	Quantity bags/ packing	Box Quantity (units)
			Torque (Nm)	Pressure (Bars)			
19-21	03019020B0	18	10	40	2	25	50
23-25	03019047B0	18	10	40	2	25	50
25-27	03019055B0	18	10	40	2	25	50
29-31	03019071B0	20	12	35	2	25	50
31-34	03019080B0	20	12	35	2	25	50
37-40	03019100B0	20	12	35	2	25	50
40-43	03019119B0	20	12	35	2	25	50
43-47	03019127B0	20	12	35	2	25	50
47-51	03019135B0	20	16	30	2	25	50
51-55	03019143B0	20	16	30	2	25	50
55-59	03019151B0	20	16	30	2	25	50
59-63	03019160B0	20	16	30	2	25	50
63-68	03019178B0	20	16	30	2	25	50
68-73	03019186B0	25	30	20	2	25	50

** It is recommended to apply 75% of the maximum values contained in the table.*

TECHNICAL INFORMATION	
MATERIAL	BAND AND BRIDGE: STAINLESS STEEL X6CR17 AISI-430 SCREW: STEEL Øst 34-3 (DIN 1.0213) 8.8 grade steel
FINISH	STAINLESS STEEL
CORROSION RESISTANCE	72 HOURS SALT SPRAY (ASTM B-117)
MAXIMUM TIGHTENING SPEED (RPM)	540 ±5





ASFA L (9 mm) and S (12 mm) Hose Clamp Assortment Boxes

ASFA L 9mm and ASFA S 12mm Assortment Boxes are ideal for all your hose clamp needs. This range of assortment boxes covers all available material qualities. The sturdy plastic case is also very convenient for transporting the product and means that you always have the most commonly used dimensions at your disposal. The insert contains information on the location of each diameter inside the box. Each box contains a flexible hex-socket screwdriver which can be used to tighten Mikalor worm-drive clips in all sorts of applications.



ASFA L Assortment	Part n°	Total Units	Outer Packing
W1	0350320-1	110	5
W2	0350321-1	110	5
W4	0350322-1	110	5

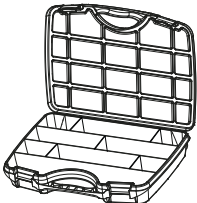
Dimensions included	Quantity
8-16	20
12-22	20
16-27	20
20-32	20

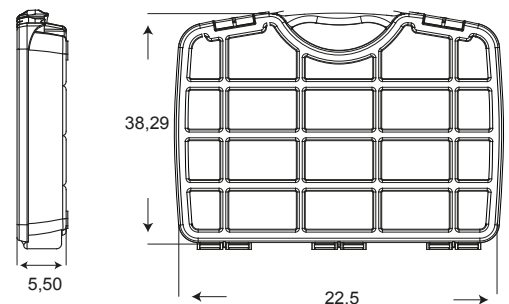
Dimensions included	Quantity
25-40	15
32-50	10
40-60	5
7mm flexible screwdriver	1

ASFA S Assortment	Part n°	Total Units	Outer Packing
W1	0350323-1	73	5
W2	0350324-1	73	5
W4	0350325-1	73	5
W5	0350326-1	73	5

Dimensions included	Quantity
16-27	20
20-32	15
25-40	15
30-45	10

Dimensions included	Quantity
32-50	8
40-60	5
7mm flexible screwdriver	1

	TECHNICAL INFORMATION	
	PRINTED INFORMATION	INSERT WITH INFORMATION ON CONTENTS
	MATERIAL	CASE, SEPARATORS AND LATCH: POLYPROPYLENE
WEIGHT	ASFA L: 2,5 KG. ASFA S: 2,7 KG.	





Two Ear Clip Assortment Boxes

Mikalor has developed the Two Ear Clip assortment boxes with the aim of providing all the most commonly used dimensions in zinc-plated mild steel and in stainless steel. The sturdy plastic case is also very convenient for transporting the product and means that you always have the most common dimensions at your disposal. The insert contains information on the location of each diameter inside the box. Each box contains a set of pincers which can be used with all dimensions of Mikalor ear clips in all sorts of applications.

Material	Part nº	Total Units	Outer Packing
W1	0350311-6	375	5

Dimensions included	Quantity
5-7	50
7-9	50
9-11	50

Dimensions included	Quantity
11-13	50
13-15	50
15-18	50

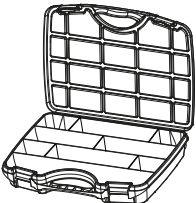
Dimensions included	Quantity
17-20	30
20-23	25
22-25	20

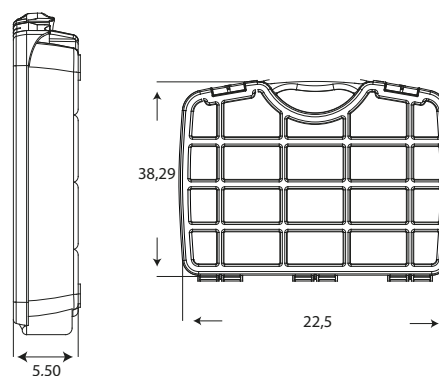
Material	Part nº	Total Units	Outer Packing
W4	0350312-4	375	5

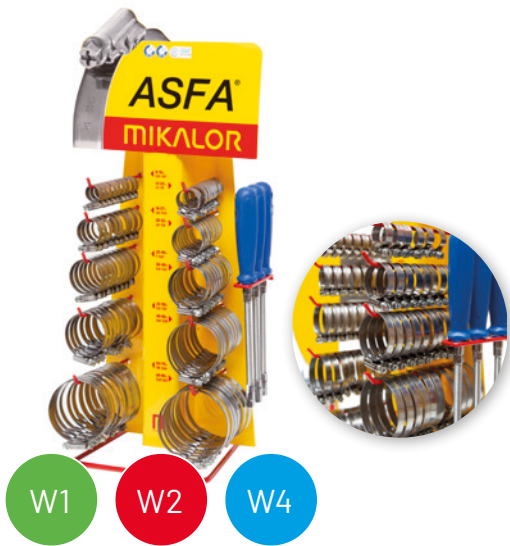
Dimensions included	Quantity
5-7	50
7-9	50

Dimensions included	Quantity
11-13	50
13-15	50

Dimensions included	Quantity
17-20	30
20-23	25

TECHNICAL INFORMATION	
	<p>PRINTED INFORMATION</p> <p>INSERT WITH INFORMATION ON CONTENTS</p>
MATERIAL	CASE, SEPARATORS AND LATCH: POLYPROPYLENE
WEIGHT	W1: 2,2 KG. W4: 2,4 KG.





ASFA L (9 mm) Counter-top Display Unit

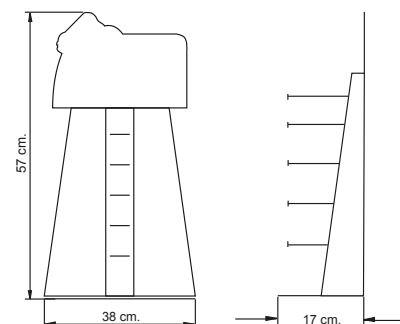
This display unit permits an organized presentation of our hose clamps and makes it very easy to top up. It is ideal for use on sales counters where space is often at a premium. The design of these easy to use wall and counter-top displays, which are both attractive and well-organized means that you have the most commonly used dimensions at your disposal without taking up too much space. These units are an ideal promotional tool for all sales counters and sales points.

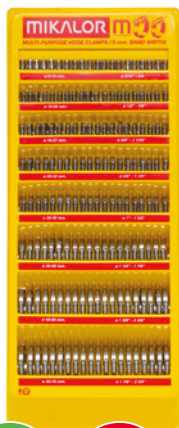
Expositor ASFA L	Part n°	Total Units	Outer Packing
W1	0250001-0	1.400 Un.	1
W2	0250004-4	1.400 Un.	1
W4	0250002-8	1.400 Un.	1

Dimensions included	Quantity
8-16	200
12-22	200
16-27	200
20-32	200
25-40	100
30-45	100

Dimensions included	Quantity
32-50	100
40-60	100
50-70	100
60-80	100
7mm flexible screwdriver	12

	TECHNICAL INFORMATION	
	PRINTED INFORMATION	EACH LOCATION INDICATES THE DIMENSION
	MATERIAL	HIGH STRENGTH PVC
	DISPLAY OPTION	MOUNTED ON A METAL STAND





ASFA L (9 mm) and S (12 mm) Wall Displays

These wall-displays were designed to be hung on a wall in such a way that all the clamps are perfectly visible and are clearly identified. The design of these easy to use wall and counter-top displays, which are both attractive and well-organized means that you have the most commonly used dimensions at your disposal without taking up too much space. These units are an ideal promotional tool for all sales counters and sales points.

Article	Material	Part n°	Total Units	Outer Packing
ASFA L Counter-top display	W1	0250019-1	1.200 Un.	1
ASFA L Counter-top display	W2	0250007-9	1.200 Un.	1
ASFA L Counter-top display	W4	0250008-7	1.200 Un.	1

Dimensions included	Quantity
8-16	200
12-22	200
16-27	200
20-32	200

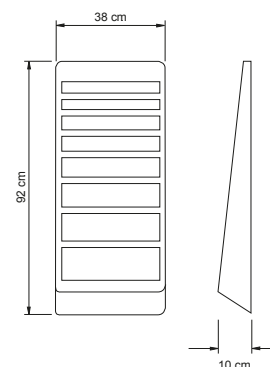
Dimensions included	Quantity
25-40	100
32-50	100
40-60	100
50-70	100

Article	Material	Part n°	Total Units	Outer Packing
Expositor ASFA S	W1	0250014-0	300 Un.	1
Expositor ASFA S	W2	0250016-7	300 Un.	1
Expositor ASFA S	W4	0250018-3	300 Un.	1

Dimensions included	Quantity
20-32	50
25-40	50
32-50	50

Dimensions included	Quantity
40-60	50
50-70	50
70-90	50

TECHNICAL INFORMATION	
PRINTED INFORMATION	EACH LOCATION INDICATES THE DIMENSION
MATERIAL	HIGH STRENGTH POLYSTYRENE
DISPLAY OPTION	WALL-MOUNTED DISPLAY






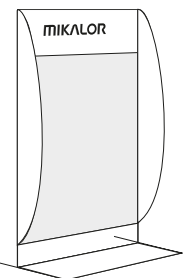
Wall-Mounted / Free-Standing SUPER W1 Display Unit

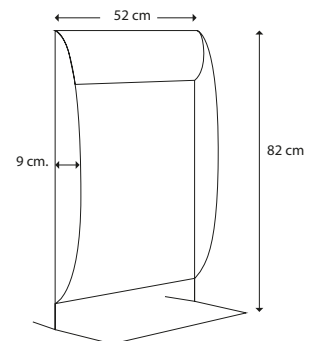
This sturdy display unit can either be hung on the wall of a trade counter or be used free-standing. The design of these easy to use wall and counter-top displays, which are both attractive and well-organized means that you have the most commonly used dimensions at your disposal without taking up too much space. These units are an ideal promotional tool for all sales counters and sales points.

Article	Part n°	Total Units	Outer Packing
Super Heavy-Duty Clamp Display	0250012-4	825 Un.	1

Dimensions included	
Application Ø	Quantity
17-19	50
20-22	50
23-25	50
26-28	50
29-31	50
32-35	50
36-39	50
40-43	50
44-47	50
48-51	50
52-55	25
56-59	25

SUPER W1 Ø d	Quantity
60-63	25
64-67	25
68-73	25
74-79	25
80-85	25
86-91	25
92-97	25
98-103	25
104-112	25
113-121	25
122-130	25

TECHNICAL INFORMATION		
	PRINTED INFORMATION	EACH LOCATION INDICATES THE DIMENSION
	MATERIAL	HIGH STRENGTH PVC
	DISPLAY OPTION	ON A METAL STAND OR WALL-MOUNTED DISPLAY





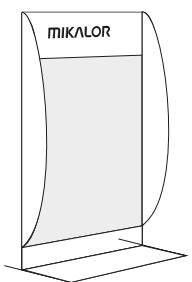
W2

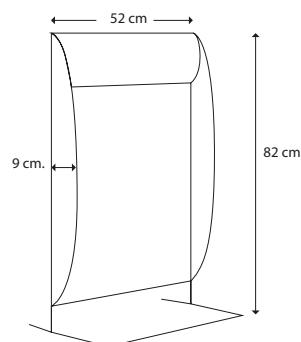
Wall-Mounted / Free-Standing SUPRA Display Unit

This sturdy display unit can either be hung on the wall of a trade counter or be used free-standing. The design of these easy to use wall and counter-top displays, which are both attractive and well-organized means that you have the most commonly used dimensions at your disposal without taking up too much space. These units are an ideal promotional tool for all sales counters and sales points.

Article	Part n°	Total Units	Outer Packing
Supra Heavy-Duty Clamp Display	0250010-8	975 u.	1

Dimensions included			
Application Ø	Quantity	Application Ø	Quantity
17-19	50	51-55	25
19-21	50	55-59	25
21-23	50	59-63	25
23-25	50	63-68	25
25-27	50	68-73	25
27-29	50	73-79	25
29-31	50	79-85	25
31-34	50	85-91	25
34-37	50	91-97	25
37-40	50	97-104	25
40-43	50	104-112	25
43-47	50	112-121	25
47-51	50	121-130	25

TECHNICAL INFORMATION	
	PRINTED INFORMATION EACH LOCATION INDICATES THE DIMENSION
	MATERIAL HIGH STRENGTH PVC
	DISPLAY OPTION ON A METAL STAND OR WALL-MOUNTED DISPLAY



TECHNICAL GLOSSARY

Clamping Force

For clamps incorporating a screw or bolt, it is necessary to apply tightening torque using a torque wrench for the clamp to work correctly. The tightening torque required by a clamp in order to ensure leaktightness varies depending on the type of clamp and the hose / coupling with which the clamp is assembled. The tightening force or torque is reduced when oil or grease is applied, thereby rendering meaningless the recommended tightening torque.

Performance

What we understand by performance is the efficiency of the clamp in transmitting the tightening torque applied via the screw to the band of the clamp. The more efficient the clamp, the better the performance. The Polar Diagram test is a graphic representation of this, measuring the performance of the clamp by indicating the force which the clamp exerts on eight defined points of the band, called sectors. When there is a homogeneous distribution of pressure around the band, this indicates that the clamp is distributing pressure evenly when tightened around the hose.

Free-Running Torque

This is the force required (in Nm) in order to rotate the screw or bolt, without any other element exerting a counterforce. This concept is applicable to the initial tightening of a clamp when there is not yet any contact with the hose or coupling.

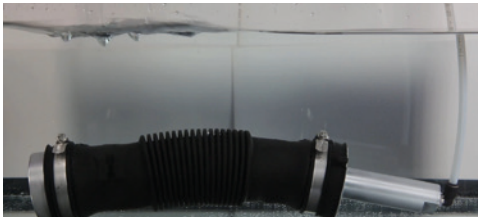
Breaking Torque

This term refers to the tightening torque necessary for the clamp to suffer irreparable damage which prevents it from functioning correctly, meaning that is no longer leaktight.

Residual Torque

Tightening torque can vary depending on certain parameters, one of the most common being the elasticity of the materials being used in the application. The resulting torque is referred to as Residual Torque. In certain applications, a specific torque is required, and this must not vary. In these cases, it is necessary to check the residual torque periodically and if required to tighten the clamp again to bring it back up to the required tightening torque.

TECHNICAL TRIALS



Total Leaktightness Test

In order to guarantee that there are no leaks, the application is submerged in a test chamber filled with water. Air is then applied at the required pressure. If there are any leaks, these can be detected by the appearance of bubbles.



Blow Off Test

This test allows us to determine the maximum pressure which can be used with each model of Mikalor clamps and clips.



PVT Test

In the Mikalor laboratory we use a bespoke programmable test-bench to apply combined cycles of pressure, vibration and temperature in order to test our clamps in extreme conditions.



Polar Diagram Test

We measure clamp performance in 8 different sectors at specific tightening torques using a dynamometer.



View our videos at
<http://www.mikalor.com/video-eng>

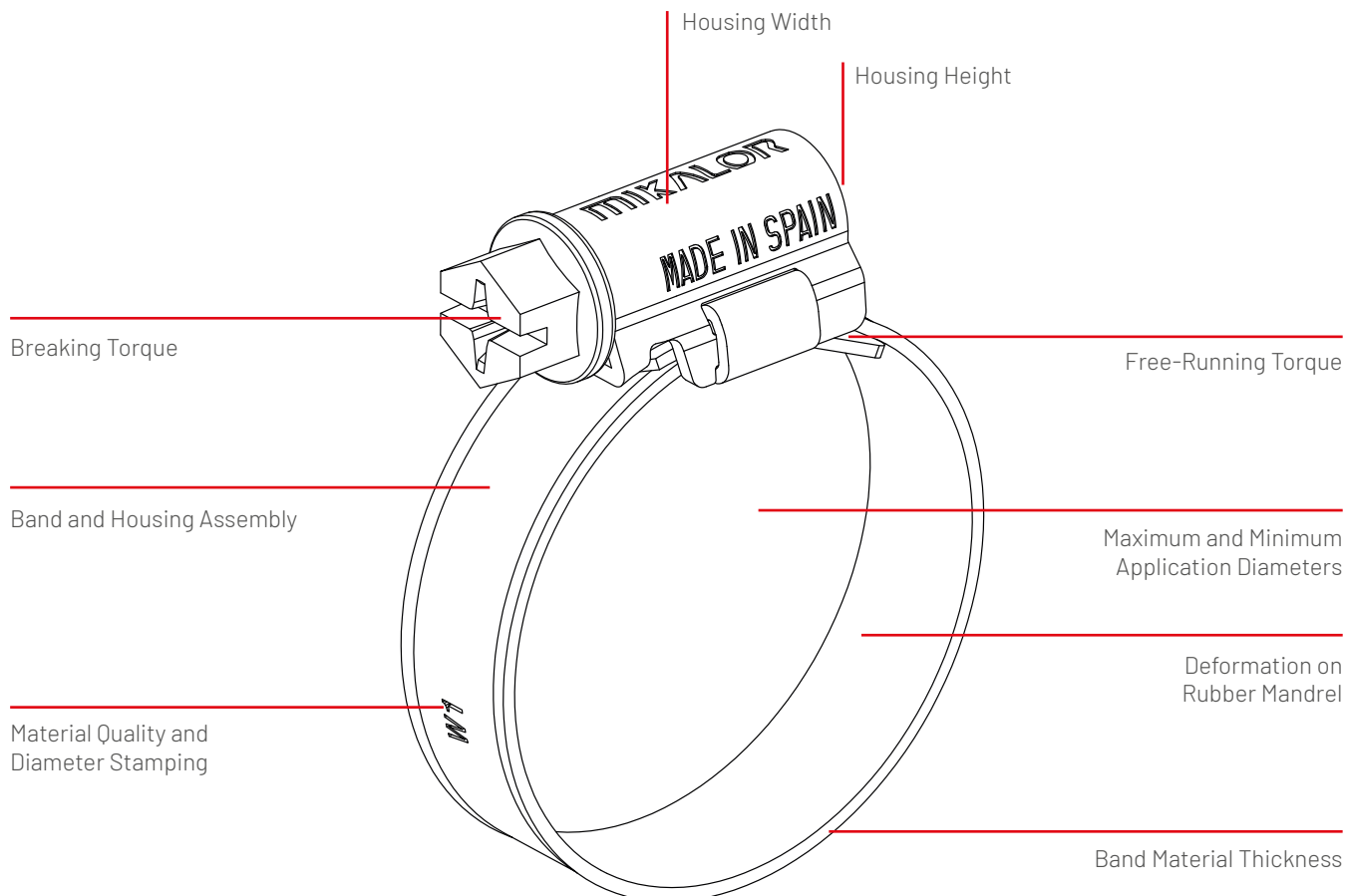
Technical and application details

MATERIAL DESCRIPTIONS

DIN 3017 Classification		DIN	AISI	EN
W1	Screw / Bolt	1.0214	Steel Qst 36-3 Cr3 White Zinc-Plating	Steel Qst 36-3 Cr3 White Zinc-Plating
	Band and Housing	1.0935	Galvanized Steel	Galvanized Steel
W2	Screw / Bolt	1.0214	Steel Qst 36-3 Cr3 White Zinc-Plating	Steel Qst 36-3 Cr3 White Zinc-Plating
	Band and Housing	1.4016	430	X6Cr17
W3	Screw / Bolt	1.4016	430	X6Cr17
	Band and Housing			
W4	Screw / Bolt	1.4567	304 Cu	X3CrNiCu18-9-4
	Band and Housing	1.4301	304	X5CrNi8-10
W5	Screw / Bolt	1.4578	316 Cu	X5CrNiMo17122
	Band and Housing	1.4401	316	X5CrNiMo17122
Conversion inches/mm			1mm = 0,0394 inches	1 inch = 25,401 mm

SPECIFIC MANUFACTURING CHECKS

Mikalor clamps and clips are manufactured according to the ISO9001 and IATF 16949 norms. Moreover, different parameters are also subject to internal checks at different points of the manufacturing process in order to ascertain that they are according to specifications.



General conditions of sale

If you wish to purchase any of the articles presented in this catalogue, please contact Damesa (Difusora de Artículos Mecánicos Especiales, S.A.) Our general conditions of sale are available on our corporate website (www.damesa.com).

QUALITY

In the event of any issue involving quality or the technical characteristics of our products it is essential to include a copy of the invoice, an image of the label which appears on the box and the serial number which appears on this label. We cannot follow up any query or complaint without this information.

GENERAL OBSERVATIONS

- This catalogue belongs to the Mikalor Group. Total or partial reproduction of the contents is absolutely prohibited, unless express consent is given in writing by the Mikalor Group or any of the companies which form the group. Any failure to comply with this will result in prosecution.
- This catalogue is a commercial document. None of the details contained herein are of a contractual nature. References to standards implemented on 1st February 2019 are not legally binding.
- Damesa will at no time nor in any way be held responsible if one of our products is used inadequately, when the recommended application instructions are not followed or when the product is used for an application for which it was not designed.
- The information and contents of this catalogue have been revised extensively before publication. However, we cannot guarantee that it is completely free of mistakes, typing errors or design errors.
- Corrosion resistance is an indicative value and is measured in accordance with the ASTM-B-117 norm. In all the values expressed, a maximum of 10% corrosion of the base material is accepted.
- Continuous technical advances oblige us to adapt our products to the needs of the professionals who use them. For this reason, the Mikalor Group reserve the right to carry out dimensional, structural or any other type of modifications to our products without notice.
- For any other query, action or complaint deriving from the purchase of our products, please contact our Customer Service Department on +34 937 299 610, via E-mail at damesa@damesa.com or in person at any of our sales offices.

All addresses are available on our website www.damesa.com.

*This catalogue supersedes all previous versions.



MIKALOR

www.mikalor.com



Sistema de Gestión
ISO 9001:2015
IATF 16949:2016
www.tuv.com
ID: 9105023577

Mikalor is a registered trademark which is the property of the Mikalor Group